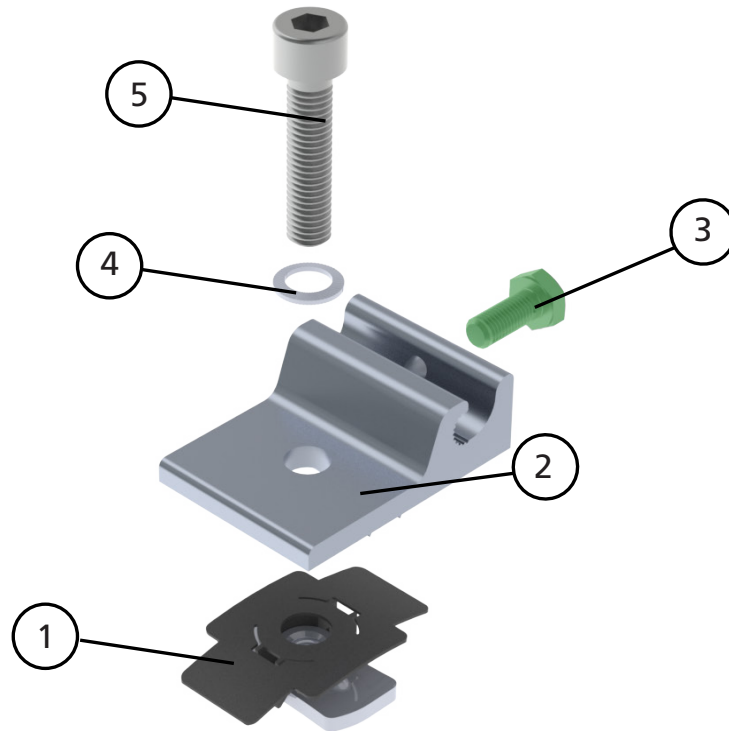




Everest Ground Lug



Item No.	Description	Part No.
1	MK3 Slot Nut	4000006 Everest Ground Lug Set
2	Ground Lug	
3	Grounding Bolt	
4	Washer	
5	Allen Bolt	

Technical data

	Everest Ground Lug
Material	Aluminum with stainless steel hardware
Finish	Tin-plated
Roof Connection	Rail channel insert
Code Compliance	UL 2703
Compatibility	All Everest systems
Warranty	25 years