

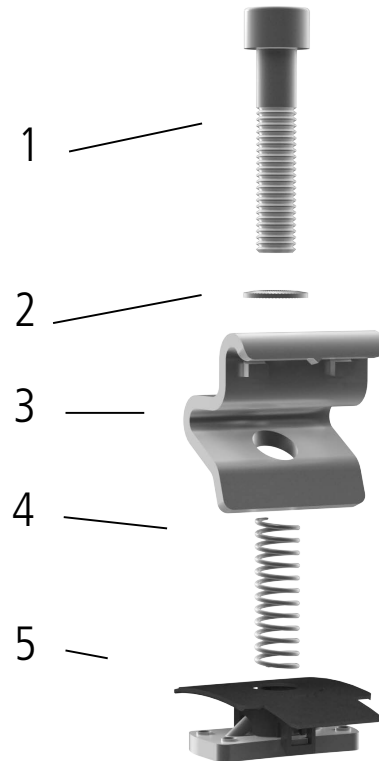
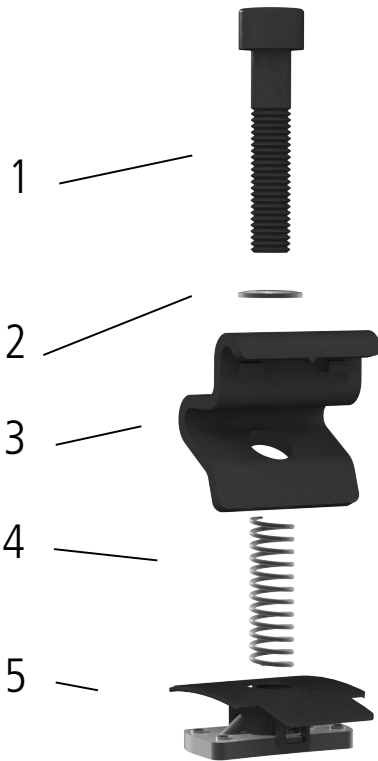
CrossRail End Clamp Technical Sheet

Mounting systems for
solar technology



1 Bolt Fit (30 - 50 mm) Handed Installation

- ▶ **HIGH QUALITY** – Secured in place with our high strength MK3
- ▶ **INTEGRATED BONDING** – UL 2703 Listed
- ▶ **TESTED AND APPROVED** – With a wide variety of modules



Dark End Clamp Set CrossRail EC Dark, 30-50mm, Shared RL 30-45mm

1. Allen Bolt, Black
2. Lock Washer
3. Universal End Clamp, Black
4. Clamp Spring
5. MK3 Slot Nut

Silver End Clamp Set CrossRail EC Silver, 30- 50mm, Shared RL 30-45mm

1. Allen Bolt
2. Lock Washer
3. Universal End Clamp
4. Clamp Spring
5. MK3 Slot Nut



*Torque Specification for Bonding End Clamp:
M8 Allen Bolts: 10.3 ft-lb (14 Nm)