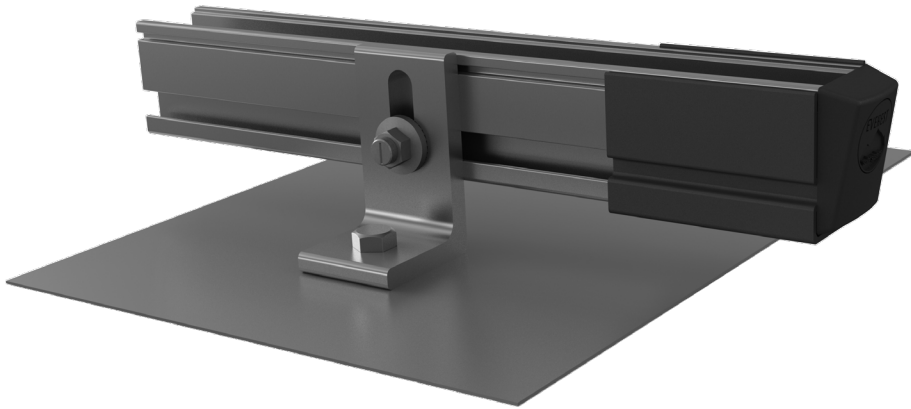


# Mounting systems for solar technology

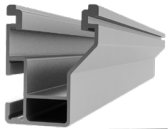


## CrossRail 48-X/48-XL Sleeve:

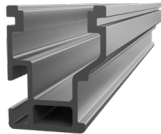
- ▶ Get an aesthetically pleasing dark finish by hiding the ends of the mill rail at a low cost!
- ▶ Fast, simple installation
- ▶ Quickly snaps or slides onto rail ends

## QUICK GUIDE CrossRail Sleeve

4000583 CrossRail 3" Black Sleeve 48-X, 48-XL

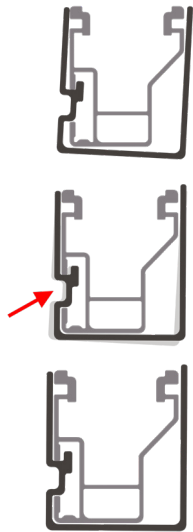


CrossRail 48-X/48-XL  
Material: Aluminum



CrossRail 3" Black Sleeve  
Material: UV Resistant Black PVC

## INSTALLATION OF CROSSRAIL SLEEVE: STEP BY STEP



1  
of 2

### TO SNAP INTO PLACE

To snap the CrossRail Sleeve on CrossRail, first place the CrossRail Sleeve over the rail with the T-Bolt Key on the T-Bolt Channel.

Once the CrossRail Sleeve is in the correct position, place your hand over the top of the rail with fingers in the groove of the CrossRail Sleeve.

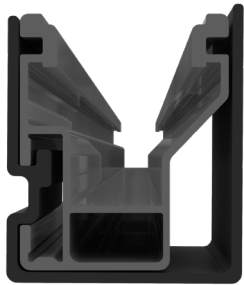
Slowly push in on the groove while pulling up. You should hear a snap indicating the CrossRail Sleeve has been attached fully.

2  
of 2

### TO SLIDE INTO PLACE

To slide the CrossRail Sleeve on CrossRail, first align the CrossRail Sleeve to the end of the rail.

The CrossRail Sleeve must slide over the end of the rail. Ensure the T-Bolt Key is fully seated within the T-Bolt Channel.



Ready!

THANK YOU FOR CHOOSING AN EVEREST SOLAR SYSTEMS MOUNTING SYSTEM.