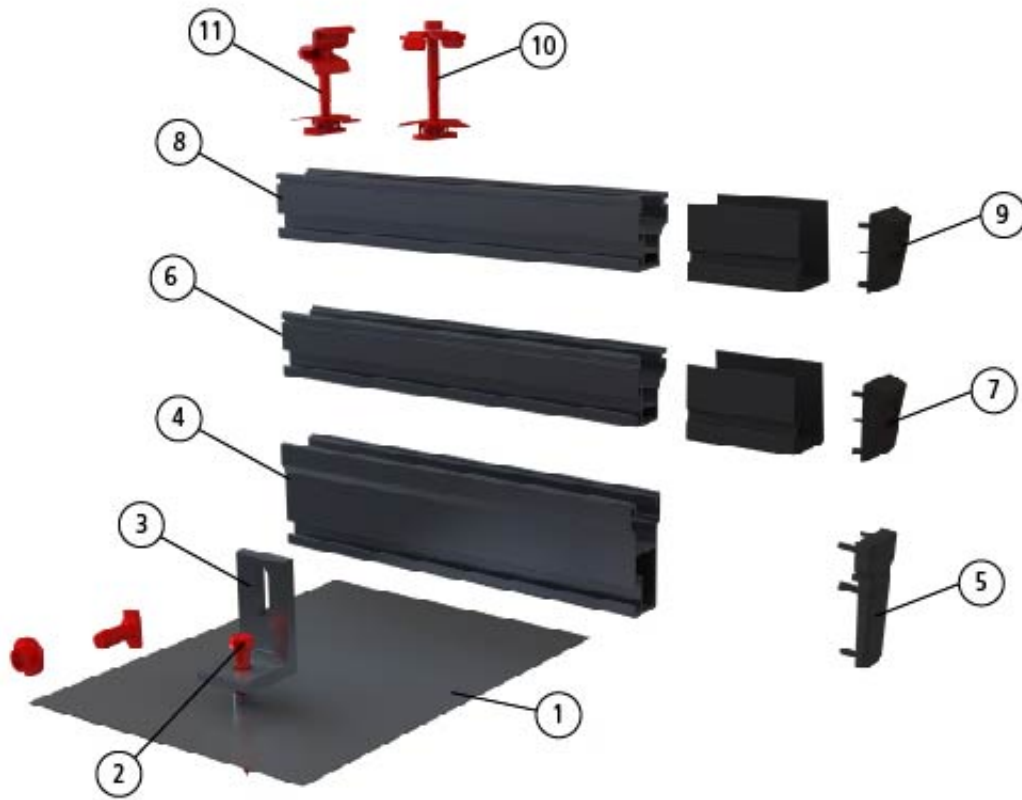
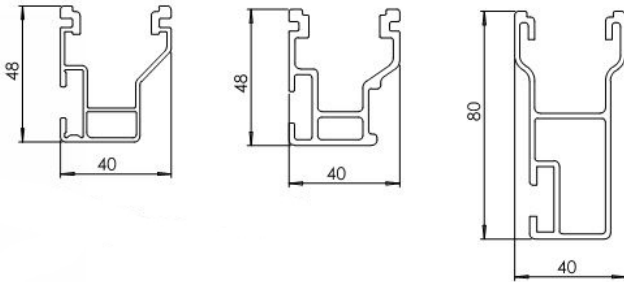


CrossRail Technical Sheet

Mounting systems for
solar technology



ITEM NO.	DESCRIPTION	PRODUCT NO.	ITEM NO.	DESCRIPTION	PRODUCT NO.
1	EverFlash eComp Kit, Silver or Black	4000367, 4000366	7	CrossRail48-XL End Cap	4000433
2	Lag Bolt D145/16 x 4" SS	4000359	8	CrossRail48-X 166" or 175", Mill or Dark	4000662, 4000675, 4000663
3	L-Foot Slotted Set, Mill or Dark	4000630, 4000631	9	CrossRail48-X End Cap	4000433
4	CrossRail80 168" Rail, Mill	4000508	10	CR MidClamp Silver or Dark	4000601, 4000602
5	CrossRail80 End Cap, Black	4001221	11	CR EndClamp Silver or Dark	4000429, 4000430
6	CrossRail48-XL 166", Mill or Dark	4000695, 4000705			

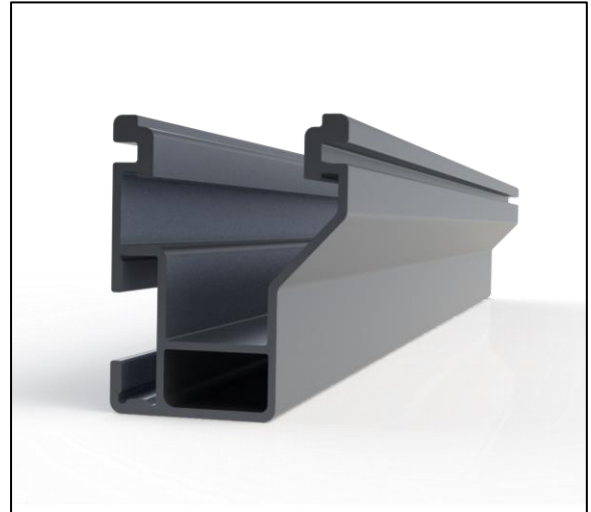


CrossRail 48-X

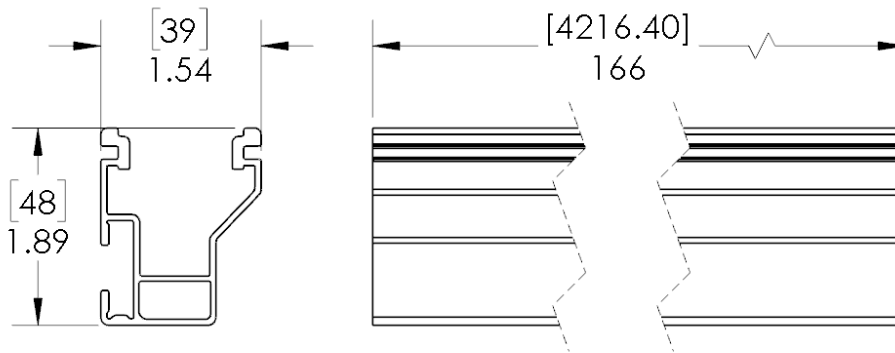
Overview:

MECHANICAL PROPERTIES	
Material:	6000 Series Aluminum
Ultimate Tensile Strength:	37.7 ksi (260 MPa)
Yield Strength:	34.8 ksi (240 MPa)
Weight:	0.56 lbs./ft. (0.833 kg/m)
Finish:	Mill or Dark Anodized

SECTION PROPERTIES	
Sx:	0.199 in ³ (3.261 cm ³)
Sy:	0.153 in ³ (2.507 cm ³)
A (X-Section):	0.467 in ² (3.013 cm ²)



General Dimensions:



Dimensions in [mm] Inches

Notes:

- ▶ Structural values and span charts determined in accordance with Aluminum Design Manual and ASCE 7-10
- ▶ UL2703 Listed System for Fire and Bonding



CrossRail 48-XL

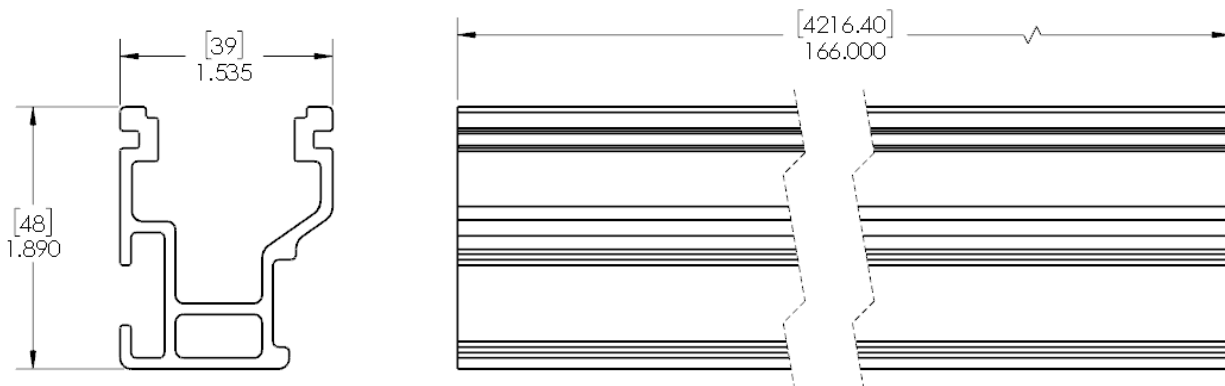
Overview:

MECHANICAL PROPERTIES	
Material:	6000 Series Aluminum
Ultimate Tensile Strength:	37.7 ksi (260 MPa)
Yield Strength:	34.8 ksi (240 MPa)
Weight:	0.76 lbs./ft. (1.13 kg/m)
Finish:	Mill or Dark Anodized

SECTION PROPERTIES	
Sx:	0.279 in ³ (4.571 cm ³)
Sy:	0.257 in ³ (4.213 cm ³)
A (X-Section):	0.652 in ² (4.207 cm ²)



General Dimensions:



Dimensions in [mm] Inches

Notes:

- ▶ Structural values and span charts determined in accordance with Aluminum Design Manual and ASCE 7-10
- ▶ UL2703 Listed System for Fire and Bonding