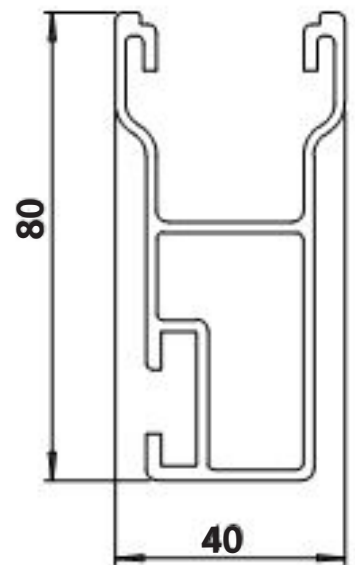
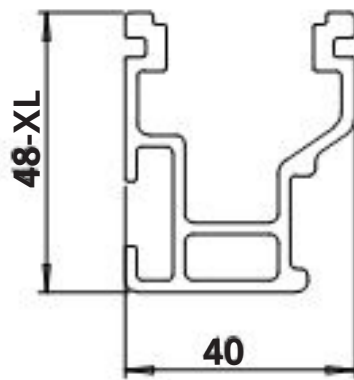
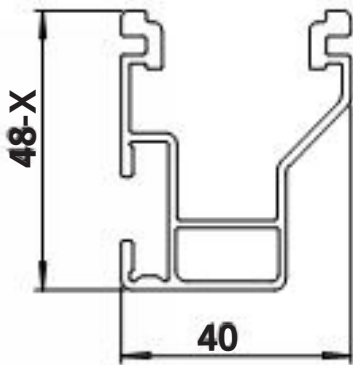
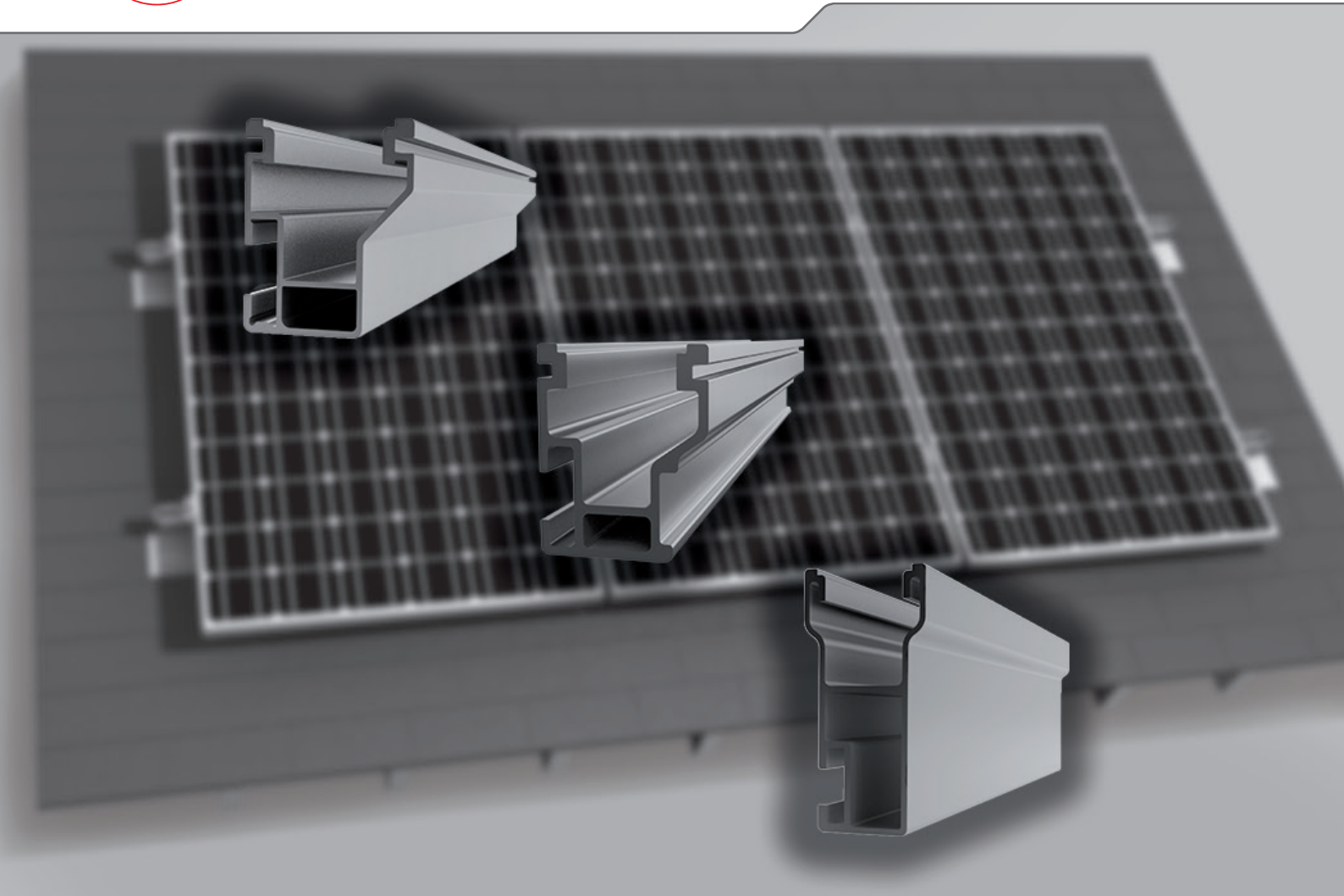
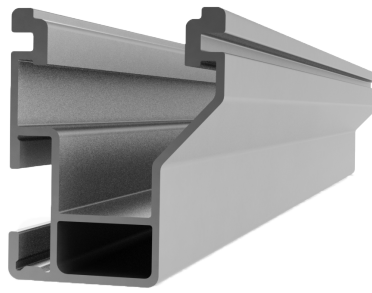




# CrossRail Rails



# CrossRail 48-X

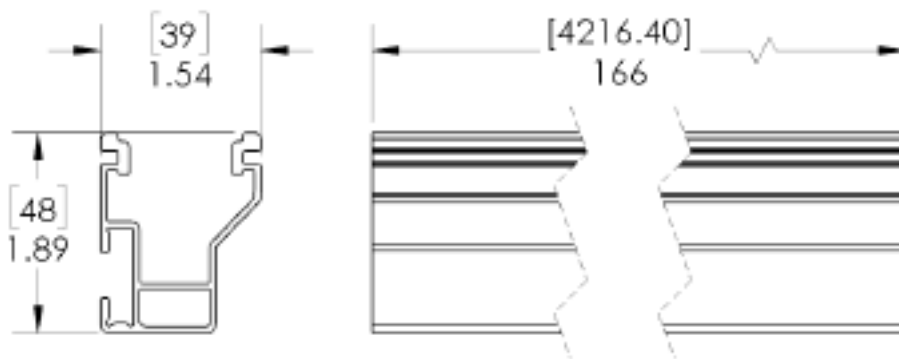


## Mechanical Properties

	CrossRail 48-X
Material	6000 Series Aluminum
Ultimate Tensile Strength	37.7 ksi (260 MPa)
Yield Strength	34.8 ksi (240 MPa)
Weight	0.56 lbs/ft (0.833 kg/m)
Finish	Mill or Dark Anodized

## Section Properties

	CrossRail 48-X
S <sub>x</sub>	0.199 in <sup>3</sup> (3.261 cm <sup>3</sup> )
S <sub>y</sub>	0.153 in <sup>3</sup> (2.507 cm <sup>3</sup> )
A (X-Section)	0.467 in <sup>2</sup> (3.013 cm <sup>2</sup> )

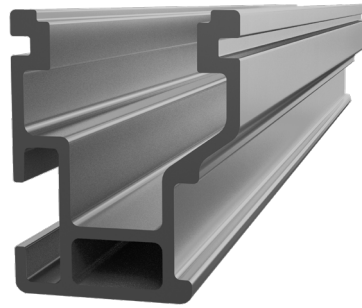


Dimensions in [mm] Inches

### Notes:

- ▶ Structural values and span charts determined in accordance with Aluminum Design Manual and ASCE 7-10
- ▶ UL2703 Listed System for Fire and Bonding

# CrossRail 48-XL

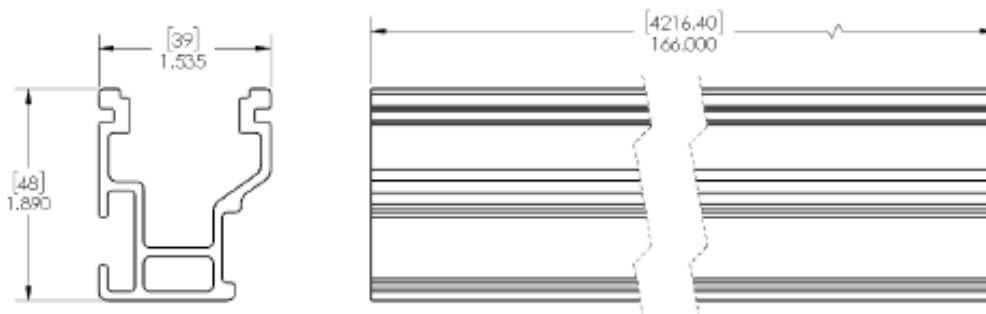


## Mechanical Properties

	CrossRail 48-XL
Material	6000 Series Aluminum
Ultimate Tensile Strength	37.7 ksi (260 MPa)
Yield Strength	34.8 ksi (240 MPa)
Weight	0.76 lbs/ft (1.13 kg/m)
Finish	Mill or Dark Anodized

## Section Properties

	CrossRail 48-XL
Sx	0.279 in <sup>3</sup> (4.571 cm <sup>3</sup> )
Sy	0.257 in <sup>3</sup> (4.213 cm <sup>3</sup> )
A (X-Section)	0.652 in <sup>2</sup> (4.207 cm <sup>2</sup> )

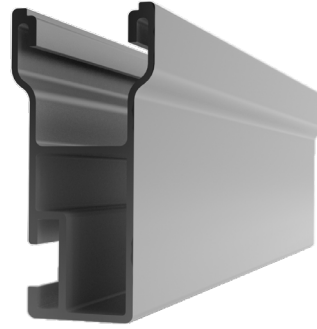


Dimensions in [mm] Inches

### Notes:

- ▶ Structural values and span charts determined in accordance with Aluminum Design Manual and ASCE 7-10
- ▶ UL2703 Listed System for Fire and Bonding

# CrossRail 80

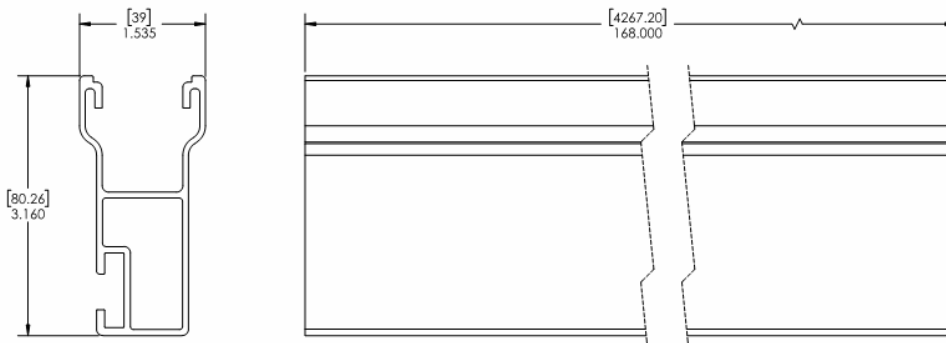


## Mechanical Properties

	CrossRail 80
Material	6000 Series Aluminum
Ultimate Tensile Strength	37.7 ksi (260 MPa)
Yield Strength	34.8 ksi (240 MPa)
Weight	0.91 lbs/ft (1.355 kg/m)
Finish	Mill or Dark Anodized

## Section Properties

	CrossRail 80
S <sub>x</sub>	0.5290 in <sup>3</sup> (8.669 cm <sup>3</sup> )
S <sub>y</sub>	0.2514 in <sup>3</sup> (4.120 cm <sup>3</sup> )
A (X-Section)	0.7770 in <sup>2</sup> (5.013 cm <sup>2</sup> )



Dimensions in [mm] Inches

### Notes:

- ▶ Structural values and span charts determined in accordance with Aluminum Design Manual and ASCE 7-10
- ▶ UL2703 Listed System for Fire and Bonding