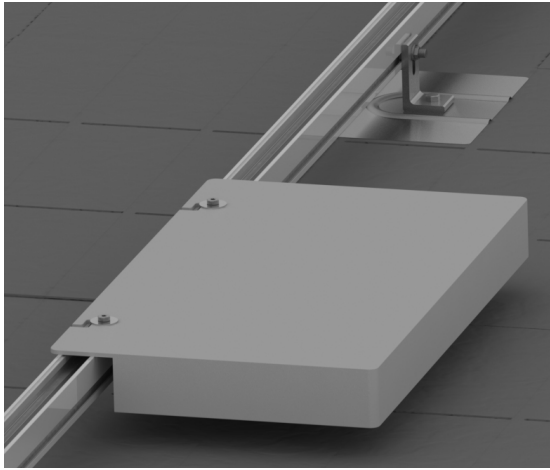


Mounting systems for solar technology



Rail-Mounted Batteries on CrossRail:

- ▶ Rail-mounted batteries are only compatible with CrossRail (dual rail) and cannot be installed on CrossRail Shared Rail or CrossRail Tilt Up
- ▶ Batteries greater than 23 lbs cannot be installed on CrossRail

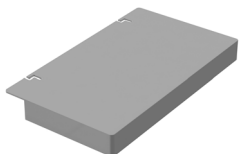
QUICK GUIDE Rail-Mounted Batteries on CrossRail



CrossRail 48-X/48-XL/80
Material: Aluminum



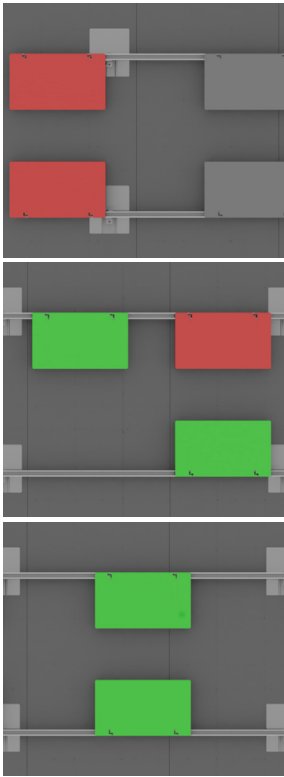
Micro-Inverter Mounting Kit
Material: Stainless Steel



Rail-Mounted Battery
Third-Party Product

Contractor is solely responsible for work safety and prevention regulations and corresponding standards and regulations of the applicable occupational safety and health agency are followed. Please see full safety guidelines on the Everest Solar website at <http://www.everest-solarsystems.com/us/downloads/technical-information.html>.

INSTALLATION OF RAIL MOUNTED BATTERIES ON CROSSRAIL: STEP BY STEP



1
of 2

LOCATE THE APPROPRIATE POSITION FOR THE BATTERY

RAIL-MOUNTED BATTERIES CANNOT BE INSTALLED ON RAIL CANTILEVERS

The entire battery must be installed between two roof attachments, completely within the rail span.

ONLY ONE RAIL-MOUNTED BATTERY CAN BE INSTALLED PER SPAN

The battery can be installed on either the top or the bottom rail in the row in either orientation as shown.

Note: Always refer to the manufacturer's guidelines for allowable installation orientations.

RAIL-MOUNTED BATTERIES CANNOT BE INSTALLED ON SPANS GREATER THAN 6 FEET

LEGEND:

Green Battery: Acceptable mounting location

Red Battery: Unacceptable mounting location

2
of 2

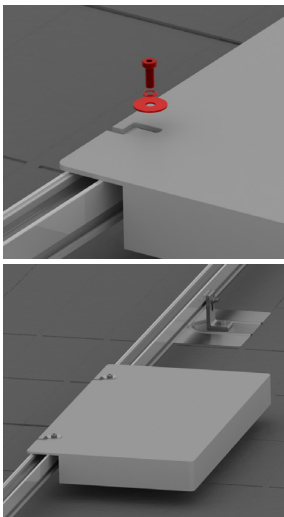
INSTALL RAIL-MOUNTED BATTERIES USING MICRO-INVERTER MOUNTING KITS

Using the Micro-Inverter Mounting Kit hardware from Everest Solar Systems, attach your chosen device to the top channel of CrossRail.

Torque M8 Allen Bolt to 10.3 ft-lbs (14 Nm)

Note: The hardware is not intended to replace the grounding equipment and has only been evaluated to attach the components to the rail.

Materials Required: Rail-Mounted Battery and Micro-Inverter Mounting Kit
Mounting Kit Includes: M8x20mm Allen Bolt, M8 Lock Washer, M8 Flat Washer, MK3



Ready!

THANK YOU FOR CHOOSING AN EVEREST SOLAR SYSTEMS MOUNTING SYSTEM.