

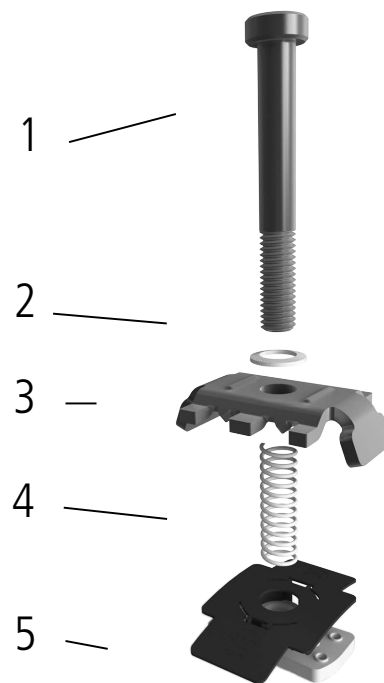
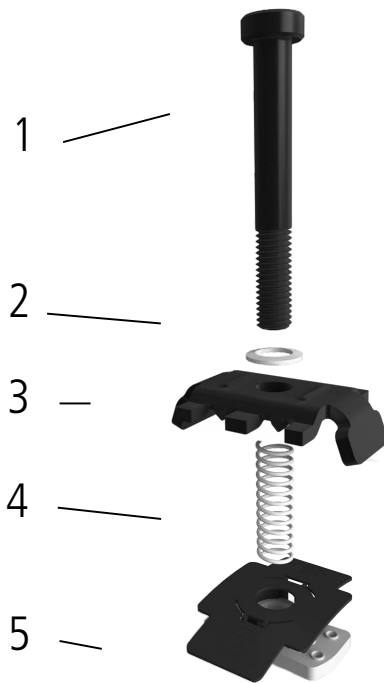
CrossRail Mid Clamp Technical Sheet

Mounting systems for
solar technology



1 Bolt Fit (30 - 47 mm) Handed Installation

- ▶ **HIGHER DENSITY** – Less space between modules – 17mm (0.669in) module gap
- ▶ **INTEGRATED BONDING** – UL 2703 Listed
- ▶ **TESTED AND APPROVED** – With a wide variety of modules



Dark Mid Clamp Set
CrossRail MC Dark, 30-47mm, Shared RL 30-42mm

1. Allen Bolt, Black
2. Lock Washer
3. Universal Mid Clamp, Black
4. Clamp Spring
5. MK3 Slot Nut

Silver Mid Clamp Set
CrossRail MC Dark, 30 - 47mm, Shared RL 30-42mm

1. Allen Bolt
2. Lock Washer
3. Universal Mid Clamp, Silver
4. Clamp Spring
5. MK3 Slot Nut



*Torque Specification for Bonding Mid Clamp:
M8 Allen Bolts: 12 ft-lb (16 Nm)