

February 22, 2017

Everest Solar Systems, LLC
3809 Ocean Ranch Blvd, Suite 111
Oceanside, CA 92056
Attn: Andy Neshat



RE: *Tilt Up Kit PV Panel Mounting System Evaluation*

To whom it may concern:

Per your request, Moment Engineering + Design has performed a comprehensive structural analysis of the Everest Solar *Tilt Up Kit* Solar PV Mounting System for typical installations in the State of Texas. When installed per the conditions and design criteria described herein, the Tilt Up Kit Solar PV Mounting System is compliant with the sections of the design reference documents noted below.

Design Reference Documents

- *2015 International Building Code*
- ASCE/SEI 7-10 – *Minimum Design Loads for Buildings and Other Structures*
- *2010 Aluminum Design Manual*, by the Aluminum Association
- Section and materials data provided by Everest Solar Systems
 - Rail section properties appear in Table A2.1 of this report

Overview

The Tilt Up Kit PV-panel roof mounting system consists of extruded aluminum support rails, module clamps, attachments, and fasteners spanning between points of attachment on an existing roof structure. Attachment of the Tilt Up Kit Mounting System to the existing roof structure shall be the responsibility of the installer, and should be analyzed by a registered design professional where required by the local authority having jurisdiction.

Methods & Design Parameters

Applicable combinations of dead, wind, snow, and seismic loads were evaluated in accordance with current code requirements to determine allowable rail span lengths, based on assumptions of single-span conditions and allowable deflection of $L/120$.

Design wind pressures were determined using Components and Cladding calculations in Chapter 26-30 of ASCE 7-10, using the loading parameters listed below. Calculation of applicable roof snow load should be based upon ground snow load maps and equations and factors of ASCE 7-10, Chapter 7 and applicable sections of the 2015 IBC. For designated Case Study areas noted in the 2015 International Building Code, refer to local jurisdiction requirements for snow and wind load determination. Seismic criteria were considered per provisions of ASCE 7-10, Chapter 13. Seismic

effects did not appear to govern the capacity of this system. Note that configurations not conforming to these parameters will require additional analysis.

Loading Parameters:

<u>General</u>	<u>Wind</u>	<u>Snow</u>	<u>Seismic</u>
risk category: II	$V_{3s,Ultimate} = 110-200$ mph	$p_g: 0-50$ psf	Site class: D
Roof mean height: ≤ 30 ft.	Exposure: B, C	$C_e: 1.0$	Design category: A-E
Roof slope: $0-7^\circ, 7-27^\circ, 27-45^\circ$	Pressure zones: 1 and 2	$C_t: 1.0$	$S_S: \leq 2.000,$
Panel slope: 7° to 15° (from roof)		$C_s: \text{Varies}$	$S_1: \leq 1.250$
Panel orientation: Portrait		$I_s: 1.0$	$I_p: 1.0$
			$a_p: 1.0$
			$R_p: 1.5$

Design Results

The allowable span lengths of the system are principally controlled by applicable wind (speed, exposure, pressure zone) and snow loads to the structure. Refer to the Tilt Up Kit span tables in the appendix to this document for recommended rail configurations based on combinations of these loading parameters. Note that reaction loads provided in the attached tables are only applicable when used with the span length recommendations provided herein. Reaction loads shown are based on worst case of front and rear mounting brackets. These reactions may be scaled linearly where shorter spans are used.

Installation & Configuration Notes

The following guidelines apply to all installations using the Tilt Up Kit product line:

- Refer to Tilt Up Kit allowable geometry and installation guidelines by Everest Solar Systems.
- All fasteners and connective hardware shall be installed per manufacturer specifications.
- This analysis is limited to installations south of any roof ridge, if present. On pitched roofs, the northernmost row of panels should be located between 3' and 12' from the ridge.
- Span tables assume two independent horizontal support rails per panel. Rails shall be located no further than 8" from cut end of diagonal member (refer to Appendix II: Figure 1).
- High edge of panel not to exceed 30" from roof surface.
- Maximum end cantilever of horizontal support rail shall not exceed one-third (1/3) of allowable span in the roof wind pressure zone of the cantilever.
- Rails shall be continuous over a minimum of two supports unless using an approved Everest Structural Splice.
- Installations over roof overhangs or within 10" of any roof edge is not advised.
- Observe all local jurisdictional requirements regarding roof setback requirements.

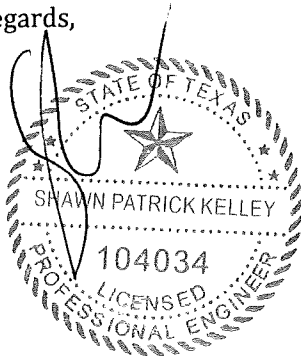
Summary

This assessment has provided design validation for code-compliant installations of the Tilt Up Kit PV Mounting system in the State of Texas. For the configurations and design loadings noted previously, the attached span tables represent maximum span lengths based on allowable stresses and deflection criteria. For all other configurations, refer to Everest Solar Systems for engineering support.

This report does not provide analysis of any existing structures, as may be required by the local authority having jurisdiction.

We appreciate the opportunity to have assisted you with this project. Should you have any further questions regarding this analysis, please feel free to contact us by phone or email.

Best Regards,



Shawn P. Kelley, P.E.

Principal

moment ENGINEERING + DESIGN

spkelley@msegllc.com

Table 1.1: Maximum Span Length (in.) - Wind Exposure B Condition																		
Exposure B	Ultimate Wind Speed, V (mph)	Rail Type	Roof Wind Pressure Zone 1								Roof Wind Pressure Zone 2							
			Roof Snow Load (psf)								Roof Snow Load (psf)							
			0	10	20	30	40	50	60	70	0	10	20	30	40	50	60	70
ROOFS 0° TO 7°	110	X80	125	117	101	87	76	68	63	58	103	103	101	87	76	68	63	58
		X48	85	80	69	61	56	52	49	45	70	70	69	61	56	52	49	45
		48-S	81	76	65	58	53	49	45	42	67	67	65	58	53	49	45	42
	115	X80	121	116	101	87	76	68	63	58	100	100	100	87	76	68	63	58
		X48	82	79	69	61	56	52	49	45	68	68	68	61	56	52	49	45
		48-S	78	75	65	58	53	49	45	42	65	65	65	58	53	49	45	42
	120	X80	117	115	101	87	76	68	63	58	97	97	97	87	76	68	63	58
		X48	80	78	69	61	56	52	49	45	66	66	66	61	56	52	49	45
		48-S	76	75	65	58	53	49	45	42	63	63	63	58	53	49	45	42
	130	X80	110	110	100	87	76	68	63	58	92	92	92	87	76	68	63	58
		X48	75	75	68	61	56	52	49	45	62	62	62	61	56	52	49	45
		48-S	72	72	65	58	53	49	45	42	59	59	59	58	53	49	45	42
	140	X80	104	104	98	87	76	68	63	58	87	87	87	87	76	68	63	58
		X48	71	71	67	61	56	52	49	45	59	59	59	59	56	52	49	45
		48-S	68	68	64	58	53	49	45	42	56	56	56	56	53	49	45	42
	150	X80	99	99	97	87	76	68	63	58	83	83	83	83	76	68	63	58
		X48	68	68	66	61	56	52	49	45	56	56	56	56	56	52	49	45
		48-S	64	64	63	58	53	49	45	42	54	54	54	54	53	49	45	42
	160	X80	95	95	95	87	76	68	63	58	79	79	79	79	76	68	63	58
		X48	65	65	65	60	56	52	49	45	54	54	54	54	54	52	49	45
		48-S	62	62	62	57	53	49	45	42	51	51	51	51	51	49	45	42
	170	X80	91	91	91	87	76	68	63	58	73	73	73	73	73	68	63	58
		X48	62	62	62	59	56	52	49	45	52	52	52	52	52	52	49	45
		48-S	59	59	59	57	53	49	45	42	49	49	49	49	49	49	45	42
180	X80	87	87	87	86	76	68	63	58	65	65	65	65	65	65	63	58	
	X48	59	59	59	59	55	52	49	45	50	50	50	50	50	50	49	45	
	48-S	57	57	57	56	52	49	45	42	47	47	47	47	47	47	45	42	
200	X80	81	81	81	81	76	68	63	58	52	52	52	52	52	52	52	52	
	X48	55	55	55	55	54	51	49	45	46	46	46	46	46	46	46	45	
	48-S	53	53	53	53	51	49	45	42	44	44	44	44	44	44	44	42	

Table 1.2: Maximum Uplift (lb.) - Wind Exposure B Condition																		
Exposure B	Ultimate Wind Speed, V (mph)	Rail Type	Roof Wind Pressure Zone 1								Roof Wind Pressure Zone 2							
			Roof Snow Load (psf)								Roof Snow Load (psf)							
			0	10	20	30	40	50	60	70	0	10	20	30	40	50	60	70
ROOFS 0° TO 7°	110	X80	348	327	281	242	212	191	175	162	510	510	497	428	375	337	310	287
		X48	237	222	192	170	155	145	136	127	346	346	339	299	275	256	241	224
		48-S	225	212	182	161	148	137	125	117	331	331	322	285	261	242	221	206
	115	X80	372	358	310	268	234	211	194	180	543	543	543	472	413	372	340	317
		X48	254	244	211	187	171	160	150	140	370	370	370	330	302	282	266	247
		48-S	241	232	201	178	163	151	138	128	352	352	352	314	287	266	244	227
	120	X80	397	390	341	295	258	231	213	198	578	578	578	517	453	408	374	347
		X48	270	265	233	206	188	175	165	154	392	392	392	362	331	309	292	271
		48-S	258	253	222	196	179	166	152	141	375	375	375	345	315	292	268	248
	130	X80	446	446	403	351	307	277	254	236	647	647	647	612	536	483	443	412
		X48	303	303	274	245	225	209	198	183	440	440	440	428	392	365	345	321
		48-S	290	290	262	235	214	199	181	168	419	419	419	408	374	346	316	295
	140	X80	497	497	468	413	362	325	298	278	718	718	718	717	627	565	517	481
		X48	339	339	318	289	265	246	233	217	488	488	488	488	458	428	404	376
		48-S	322	322	304	276	252	233	214	198	466	466	466	466	437	404	370	344
	150	X80	549	549	536	479	420	377	347	322	789	789	789	789	724	652	597	555
		X48	373	373	364	334	307	286	270	251	537	537	537	537	529	494	465	433
		48-S	356	356	347	319	293	270	248	230	512	512	512	512	504	466	427	397
	160	X80	601	601	601	550	482	433	398	369	863	863	863	863	828	745	684	635
		X48	410	410	410	379	352	328	310	288	588	588	588	588	588	565	532	495
		48-S	390	390	390	362	336	311	285	264	560	560	560	560	560	533	489	454
	170	X80	655	655	655	625	547	493	452	419	900	900	900	900	900	845	774	719
		X48	445	445	445	427	400	373	352	327	638	638	638	638	638	638	604	561
		48-S	425	425	425	407	381	353	324	300	609	609	609	609	609	605	554	515
180	X80	710	710	710	700	617	555	510	473	900	900	900	900	900	900	872	809	
	X48	483	483	483	475	447	420	397	369	691	691	691	691	691	691	679	632	
	48-S	460	460	460	454	427	397	365	339	659	659	659	659	659	659	624	580	
200	X80	822	822	822	822	769	692	635	590	900	900	900	900	900	900	900	900	
	X48	559	559	559	559	546	520	495	460	798	798	798	798	798	798	798	784	
	48-S	533	533	533	533	522	496	454	422	760	760	760	760	760	760	760	719	

Table 1.3: Maximum Downforce (lb.) - Wind Exposure B Condition																		
Exposure B	Ultimate Wind Speed, V (mph)	Rail Type	Roof Wind Pressure Zone 1								Roof Wind Pressure Zone 2							
			Roof Snow Load (psf)								Roof Snow Load (psf)							
			0	10	20	30	40	50	60	70	0	10	20	30	40	50	60	70
ROOFS 0° TO 7°	110	X80	245	396	535	663	757	841	917	987	202	348	535	663	757	841	917	987
		X48	166	269	364	464	553	637	714	770	138	237	364	464	553	637	714	770
		48-S	159	257	346	442	528	602	656	707	131	226	346	442	528	602	656	707
	115	X80	250	402	535	663	757	841	917	987	207	346	531	663	757	841	917	987
		X48	171	274	364	464	553	637	714	770	141	235	361	464	553	637	714	770
		48-S	162	261	346	442	528	602	656	707	135	225	344	442	528	602	656	707
	120	X80	256	409	535	663	757	841	917	987	212	345	515	663	757	841	917	987
		X48	174	278	364	464	553	637	714	770	144	234	351	464	553	637	714	770
		48-S	167	266	346	442	528	602	656	707	138	223	334	442	528	602	656	707
	130	X80	272	415	548	663	757	841	917	987	226	344	504	663	757	841	917	987
		X48	185	282	373	464	553	637	714	770	154	234	343	464	553	637	714	770
		48-S	176	269	355	442	528	602	656	707	147	224	328	442	528	602	656	707
	140	X80	286	415	562	663	757	841	917	987	238	345	497	663	757	841	917	987
		X48	195	281	382	464	553	637	714	770	162	234	338	451	553	637	714	770
		48-S	186	269	364	442	528	602	656	707	154	224	322	431	528	602	656	707
	150	X80	305	419	577	668	757	841	917	987	254	349	494	638	757	841	917	987
		X48	207	285	393	466	553	637	714	770	173	237	336	434	553	637	714	770
		48-S	197	271	374	444	528	602	656	707	165	227	320	414	528	602	656	707
	160	X80	321	422	589	690	757	841	917	987	268	353	491	630	757	841	917	987
		X48	219	288	400	476	553	637	714	770	183	240	334	428	537	637	714	770
		48-S	208	274	381	454	528	602	656	707	174	229	319	408	513	602	656	707
	170	X80	340	428	588	712	757	841	917	987	273	344	471	598	727	841	917	987
		X48	231	291	399	487	553	637	714	770	193	244	334	424	516	636	714	770
		48-S	220	278	382	464	528	602	656	707	184	233	318	405	491	602	656	707
180	X80	360	437	589	731	777	841	917	987	266	324	437	550	664	796	917	987	
	X48	245	297	401	498	563	637	714	770	204	249	335	422	509	611	714	770	
	48-S	233	283	382	474	537	602	656	707	196	237	320	402	485	583	656	707	
200	X80	401	456	597	739	825	861	917	987	258	293	384	476	567	658	764	885	
	X48	273	309	406	503	586	647	714	770	228	260	341	421	501	583	677	770	
	48-S	260	296	388	479	558	617	656	707	217	247	325	401	479	555	645	707	

Table 1.4: Maximum Shear (lb.) - Wind Exposure B Condition																		
Exposure B	Ultimate Wind Speed, V (mph)	Rail Type	Roof Wind Pressure Zone 1								Roof Wind Pressure Zone 2							
			Roof Snow Load (psf)								Roof Snow Load (psf)							
			0	10	20	30	40	50	60	70	0	10	20	30	40	50	60	70
ROOFS 0° TO 7°	110	X80	86	140	214	265	303	337	368	396	107	124	214	265	303	337	368	396
		X48	58	96	147	186	222	256	287	308	73	85	147	186	222	256	287	308
		48-S	56	90	139	178	211	241	264	283	70	81	139	178	211	241	264	283
	115	X80	88	139	214	265	303	337	368	396	112	120	213	265	303	337	368	396
		X48	61	94	147	186	222	256	287	308	76	81	144	186	222	256	287	308
		48-S	57	90	139	178	211	241	264	283	73	78	139	178	211	241	264	283
	120	X80	91	137	214	265	303	337	368	396	118	118	206	265	303	337	368	396
		X48	62	93	147	186	222	256	287	308	80	80	140	186	222	256	287	308
		48-S	60	89	139	178	211	241	264	283	75	75	133	178	211	241	264	283
	130	X80	99	132	213	265	303	337	368	396	128	128	194	265	303	337	368	396
		X48	67	90	144	186	222	256	287	308	87	87	132	186	222	256	287	308
		48-S	64	85	137	178	211	241	264	283	83	83	127	178	211	241	264	283
	140	X80	105	125	209	265	303	337	368	396	140	140	186	265	303	337	368	396
		X48	72	85	143	186	222	256	287	308	95	95	125	182	222	256	287	308
		48-S	69	81	136	178	211	241	264	283	90	90	120	172	211	241	264	283
	150	X80	113	120	206	265	303	337	368	396	153	153	176	253	303	337	368	396
		X48	77	81	140	186	222	256	287	308	104	104	120	172	222	256	287	308
		48-S	73	77	133	176	211	241	264	283	99	99	113	164	211	241	264	283
	160	X80	121	121	202	265	303	337	368	396	168	168	168	242	303	337	368	396
		X48	82	82	137	183	222	256	287	308	114	114	116	164	214	256	287	308
		48-S	78	78	132	175	211	241	264	283	109	109	109	158	206	241	264	283
	170	X80	129	129	194	265	303	337	368	396	175	175	175	223	291	337	368	396
		X48	87	87	132	182	222	256	287	308	124	124	124	159	206	256	287	308
		48-S	83	83	125	174	211	241	264	283	118	118	118	151	197	241	264	283
180	X80	138	138	186	264	303	337	368	396	175	175	175	199	259	319	368	396	
	X48	94	94	127	179	221	256	287	308	134	134	134	152	198	245	287	308	
	48-S	89	89	121	171	210	241	264	283	128	128	128	144	190	233	264	283	
200	X80	160	160	172	249	303	337	368	396	175	175	175	175	209	257	307	355	
	X48	109	109	117	170	217	253	287	308	155	155	155	155	186	229	272	308	
	48-S	104	104	112	162	206	241	264	283	148	148	148	148	176	217	259	283	

Table 1.5: Maximum Span Length (in.) - Wind Exposure C Condition																		
Exposure C	Ultimate Wind Speed, V (mph)	Rail Type	Roof Wind Pressure Zone 1								Roof Wind Pressure Zone 2							
			Roof Snow Load (psf)								Roof Snow Load (psf)							
			0	10	20	30	40	50	60	70	0	10	20	30	40	50	60	70
ROOFS 0° TO 7°	110	X80	110	110	99	87	76	68	63	58	92	92	92	87	76	68	63	58
		X48	75	75	68	61	56	52	49	45	62	62	62	61	56	52	49	45
		48-S	71	71	65	58	53	49	45	42	59	59	59	58	53	49	45	42
	115	X80	107	107	99	87	76	68	63	58	89	89	89	87	76	68	63	58
		X48	73	73	67	61	56	52	49	45	60	60	60	60	56	52	49	45
		48-S	69	69	64	58	53	49	45	42	58	58	58	58	53	49	45	42
	120	X80	103	103	98	87	76	68	63	58	86	86	86	86	76	68	63	58
		X48	70	70	67	61	56	52	49	45	59	59	59	59	56	52	49	45
		48-S	67	67	64	58	53	49	45	42	56	56	56	56	53	49	45	42
	130	X80	98	98	96	87	76	68	63	58	81	81	81	81	76	68	63	58
		X48	66	66	66	60	56	52	49	45	55	55	55	55	55	52	49	45
		48-S	63	63	63	57	53	49	45	42	53	53	53	53	53	49	45	42
	140	X80	93	93	93	87	76	68	63	58	77	77	77	77	76	68	63	58
		X48	63	63	63	60	56	52	49	45	53	53	53	53	53	52	49	45
		48-S	60	60	60	57	53	49	45	42	50	50	50	50	50	49	45	42
	150	X80	88	88	88	86	76	68	63	58	67	67	67	67	67	67	63	58
		X48	60	60	60	59	55	52	49	45	50	50	50	50	50	50	49	45
		48-S	57	57	57	56	53	49	45	42	48	48	48	48	48	48	45	42
	160	X80	84	84	84	84	76	68	63	58	58	58	58	58	58	58	58	58
		X48	57	57	57	57	55	52	49	45	48	48	48	48	48	48	48	45
		48-S	55	55	55	55	52	49	45	42	46	46	46	46	46	46	45	42
	170	X80	81	81	81	81	76	68	63	58	52	52	52	52	52	52	52	52
		X48	55	55	55	55	54	51	49	45	46	46	46	46	46	46	46	45
		48-S	52	52	52	52	51	49	45	42	44	44	44	44	44	44	44	42
180	X80	78	78	78	78	76	68	63	58	46	46	46	46	46	46	46	46	
	X48	53	53	53	53	53	51	49	45	44	44	44	44	44	44	44	44	
	48-S	50	50	50	50	50	48	45	42	42	42	42	42	42	42	42	42	
200	X80	63	63	63	63	63	63	63	58	37	37	37	37	37	37	37	37	
	X48	49	49	49	49	49	49	49	48	45	45	45	45	45	45	45	45	
	48-S	47	47	47	47	47	47	47	45	42	42	42	42	42	42	42	42	

Table 1.6: Maximum Uplift (lb.) - Wind Exposure C Condition																		
Exposure C	Ultimate Wind Speed, V (mph)	Rail Type	Roof Wind Pressure Zone 1								Roof Wind Pressure Zone 2							
			Roof Snow Load (psf)								Roof Snow Load (psf)							
			0	10	20	30	40	50	60	70	0	10	20	30	40	50	60	70
ROOFS 0° TO 7°	110	X80	447	447	404	353	308	278	255	237	648	648	648	614	537	484	443	412
		X48	304	304	275	246	226	211	199	185	440	440	440	429	392	366	346	322
		48-S	290	290	262	236	215	199	182	169	420	420	420	409	375	347	317	295
	115	X80	478	478	442	389	340	306	281	260	689	689	689	674	590	532	487	453
		X48	325	325	301	271	249	231	218	203	469	469	469	469	431	402	379	353
		48-S	309	309	287	258	237	219	201	187	447	447	447	447	411	380	349	324
	120	X80	507	507	480	425	372	335	308	285	732	732	732	732	646	581	534	496
		X48	345	345	326	297	272	254	240	223	498	498	498	498	472	441	416	387
		48-S	329	329	311	284	259	240	220	204	474	474	474	474	450	417	382	355
	130	X80	569	569	561	505	442	399	365	339	817	817	817	817	763	686	630	584
		X48	387	387	382	351	323	301	285	265	556	556	556	556	556	519	490	457
		48-S	368	368	364	335	308	285	261	243	530	530	530	530	530	491	450	419
	140	X80	633	633	633	592	519	467	428	398	900	900	900	900	890	802	734	682
		X48	430	430	430	406	379	353	334	310	617	617	617	617	617	607	572	532
		48-S	410	410	410	388	362	335	307	285	587	587	587	587	587	573	526	489
	150	X80	696	696	696	681	600	539	495	459	900	900	900	900	900	900	847	786
		X48	473	473	473	463	435	408	385	358	677	677	677	677	677	677	660	613
		48-S	452	452	452	442	415	387	354	329	646	646	646	646	646	646	606	562
	160	X80	762	762	762	762	686	618	567	526	900	900	900	900	900	900	900	898
		X48	519	519	519	519	493	468	442	410	741	741	741	741	741	741	741	701
		48-S	495	495	495	495	470	443	406	377	706	706	706	706	706	706	692	643
	170	X80	829	829	829	829	778	700	643	596	900	900	900	900	900	900	900	900
		X48	564	564	564	564	552	526	500	465	803	803	803	803	803	803	803	792
		48-S	538	538	538	538	527	501	460	427	766	766	766	766	766	766	766	728
180	X80	897	897	897	897	876	789	723	672	900	900	900	900	900	900	900	900	
	X48	610	610	610	610	610	585	562	525	869	869	869	869	869	869	869	869	
	48-S	582	582	582	582	582	558	518	480	829	829	829	829	829	829	829	817	
200	X80	900	900	900	900	900	900	899	835	900	900	900	900	900	900	900	900	
	X48	705	705	705	705	705	705	685	652	900	900	900	900	900	900	900	900	
	48-S	673	673	673	673	673	673	643	598	900	900	900	900	900	900	900	900	

Table 1.7: Maximum Downforce (lb.) - Wind Exposure C Condition																		
Exposure C	Ultimate Wind Speed, V (mph)	Rail Type	Roof Wind Pressure Zone 1								Roof Wind Pressure Zone 2							
			Roof Snow Load (psf)								Roof Snow Load (psf)							
			0	10	20	30	40	50	60	70	0	10	20	30	40	50	60	70
ROOFS 0° TO 7°	110	X80	272	415	549	663	757	841	917	987	226	344	504	663	757	841	917	987
		X48	185	282	373	464	553	637	714	770	154	234	343	464	553	637	714	770
		48-S	177	269	355	442	528	602	656	707	147	224	328	442	528	602	656	707
	115	X80	282	414	556	663	757	841	917	987	234	345	500	663	757	841	917	987
		X48	191	282	379	464	553	637	714	770	159	234	340	460	553	637	714	770
		48-S	183	269	361	442	528	602	656	707	152	224	325	439	528	602	656	707
	120	X80	290	415	564	663	757	841	917	987	242	345	496	657	757	841	917	987
		X48	197	283	384	464	553	637	714	770	164	234	338	447	553	637	714	770
		48-S	188	269	366	442	528	602	656	707	157	224	322	427	528	602	656	707
	130	X80	311	420	583	677	757	841	917	987	260	350	493	635	757	841	917	987
		X48	212	286	397	470	553	637	714	770	177	238	335	432	552	637	714	770
		48-S	203	273	379	448	528	602	656	707	169	228	319	412	527	602	656	707
	140	X80	331	425	587	702	757	841	917	987	275	353	487	622	757	841	917	987
		X48	225	289	399	481	553	637	714	770	188	242	334	425	525	637	714	770
		48-S	215	276	381	459	528	602	656	707	179	230	318	406	500	602	656	707
	150	X80	356	435	589	728	773	841	917	987	269	329	445	562	678	820	917	987
		X48	242	296	401	494	561	637	714	770	202	248	335	423	510	617	714	770
		48-S	231	282	382	471	535	602	656	707	193	236	320	403	487	589	656	707
	160	X80	378	445	591	739	798	841	917	987	261	308	410	512	614	718	854	987
		X48	257	303	403	502	573	637	714	770	215	253	337	420	505	590	702	770
		48-S	245	288	384	480	546	602	656	707	205	242	321	401	481	564	656	707
	170	X80	402	456	598	738	826	863	917	987	256	291	381	471	561	651	755	875
		X48	273	311	406	502	587	648	714	770	229	260	341	421	502	582	673	770
		48-S	261	296	388	479	560	618	656	707	218	247	325	401	478	554	643	707
180	X80	428	469	605	741	856	890	926	987	252	277	358	437	518	597	678	778	
	X48	292	320	411	504	597	661	719	770	243	268	345	423	500	577	654	751	
	48-S	278	305	392	481	569	630	663	707	233	255	329	403	476	551	624	707	
200	X80	417	433	542	652	762	872	980	1012	246	256	320	385	449	514	579	644	
	X48	327	340	425	511	597	683	747	790	247	255	320	384	449	514	579	643	
	48-S	312	324	405	488	569	651	701	725	247	256	320	385	450	515	580	644	

Table 1.8: Maximum Shear (lb.) - Wind Exposure C Condition																		
Exposure C	Ultimate Wind Speed, V (mph)	Rail Type	Roof Wind Pressure Zone 1								Roof Wind Pressure Zone 2							
			Roof Snow Load (psf)								Roof Snow Load (psf)							
			0	10	20	30	40	50	60	70	0	10	20	30	40	50	60	70
ROOFS 0° TO 7°	110	X80	99	132	211	265	303	337	368	396	128	128	194	265	303	337	368	396
		X48	67	89	144	186	222	256	287	308	87	87	132	186	222	256	287	308
		48-S	64	85	137	178	211	241	264	283	82	82	127	178	211	241	264	283
	115	X80	103	128	210	265	303	337	368	396	134	134	189	265	303	337	368	396
		X48	71	86	143	186	222	256	287	308	91	91	128	186	222	256	287	308
		48-S	66	82	136	178	211	241	264	283	87	87	123	175	211	241	264	283
	120	X80	108	124	209	265	303	337	368	396	142	142	183	264	303	337	368	396
		X48	73	85	143	186	222	256	287	308	97	97	124	179	222	256	287	308
		48-S	70	81	136	178	211	241	264	283	92	92	120	171	211	241	264	283
	130	X80	115	117	206	265	303	337	368	396	159	159	174	249	303	337	368	396
		X48	79	79	140	184	222	256	287	308	108	108	117	170	221	256	287	308
		48-S	74	75	133	175	211	241	264	283	103	103	112	162	210	241	264	283
	140	X80	125	125	198	265	303	337	368	396	175	175	175	235	303	337	368	396
		X48	84	84	135	182	222	256	287	308	120	120	120	160	210	256	287	308
		48-S	82	82	128	174	211	241	264	283	114	114	114	154	201	241	264	283
	150	X80	135	135	187	264	303	337	368	396	175	175	175	204	267	329	368	396
		X48	92	92	128	179	221	256	287	308	132	132	132	154	201	248	287	308
		48-S	88	88	121	171	210	241	264	283	126	126	126	147	191	236	264	283
	160	X80	148	148	179	257	303	337	368	396	175	175	175	179	234	288	343	396
		X48	101	101	121	175	218	256	287	308	144	144	144	147	191	237	280	308
		48-S	96	96	116	167	207	241	264	283	137	137	137	140	183	226	264	283
	170	X80	161	161	172	248	303	337	368	396	175	175	175	175	207	254	303	351
		X48	110	110	117	168	215	253	287	308	156	156	156	156	183	226	271	308
		48-S	105	105	112	160	206	241	264	283	149	149	149	149	175	217	257	283
180	X80	174	174	174	237	303	337	368	396	175	175	175	175	183	227	270	312	
	X48	119	119	119	163	210	249	284	308	169	169	169	169	178	218	260	300	
	48-S	113	113	113	155	202	238	264	283	161	161	161	161	168	209	248	283	
200	X80	175	175	175	192	250	310	368	396	175	175	175	175	175	183	218	252	
	X48	137	137	137	151	197	242	280	308	175	175	175	175	175	182	217	251	
	48-S	131	131	131	144	187	232	264	283	175	175	175	175	175	183	217	252	

Table 1.9: Maximum Span Length - Wind Exposure D Condition																		
Exposure D	Ultimate Wind Speed, V (mph)	Rail Type	Roof Wind Pressure Zone 1								Roof Wind Pressure Zone 2							
			Roof Snow Load (psf)								Roof Snow Load (psf)							
			0	10	20	30	40	50	60	70	0	10	20	30	40	50	60	70
ROOFS 0° TO 7°	110	X80	104	104	98	87	76	68	63	58	86	86	86	86	76	68	63	58
		X48	70	70	67	61	56	52	49	45	59	59	59	59	56	52	49	45
		48-S	67	67	64	58	53	49	45	42	56	56	56	56	53	49	45	42
	115	X80	100	100	97	87	76	68	63	58	84	84	84	84	76	68	63	58
		X48	68	68	66	61	56	52	49	45	57	57	57	57	56	52	49	45
		48-S	65	65	63	58	53	49	45	42	54	54	54	54	53	49	45	42
	120	X80	97	97	96	87	76	68	63	58	81	81	81	81	76	68	63	58
		X48	66	66	66	60	56	52	49	45	55	55	55	55	55	52	49	45
		48-S	63	63	63	57	53	49	45	42	53	53	53	53	53	49	45	42
	130	X80	92	92	92	87	76	68	63	58	75	75	75	75	75	68	63	58
		X48	63	63	63	59	56	52	49	45	52	52	52	52	52	52	49	45
		48-S	60	60	60	57	53	49	45	42	50	50	50	50	50	49	45	42
	140	X80	87	87	87	86	76	68	63	58	64	64	64	64	64	65	63	58
		X48	59	59	59	59	55	52	49	45	50	50	50	50	50	50	49	45
		48-S	57	57	57	56	52	49	45	42	47	47	47	47	47	47	45	42
	150	X80	83	83	83	83	76	68	63	58	56	56	56	56	56	56	56	56
		X48	57	57	57	57	54	52	49	45	47	47	47	47	47	47	47	45
		48-S	54	54	54	54	52	49	45	42	45	45	45	45	45	45	45	42
	160	X80	80	80	80	80	76	68	63	58	49	49	49	49	49	49	49	49
		X48	54	54	54	54	54	51	49	45	45	45	45	45	45	45	45	45
		48-S	52	52	52	52	51	49	45	42	43	43	43	43	43	43	43	42
	170	X80	74	74	74	74	74	68	63	58	43	43	43	43	43	43	43	43
		X48	52	52	52	52	52	51	49	45	43	43	43	43	43	43	43	43
		48-S	49	49	49	49	49	49	48	45	42	41	41	41	41	41	41	41
180	X80	66	66	66	66	66	66	63	58	39	39	39	39	39	39	39	39	
	X48	50	50	50	50	50	50	48	45	39	39	39	39	39	39	39	39	
	48-S	48	48	48	48	48	48	48	45	42	39	39	39	39	39	39	39	
200	X80	53	53	53	53	53	53	53	53	31	31	31	31	31	31	31	31	
	X48	46	46	46	46	46	46	46	45	31	31	31	31	31	31	31	31	
	48-S	44	44	44	44	44	44	44	44	42	31	31	31	31	31	31	31	

Table 1.10: Maximum Uplift (lb.) - Wind Exposure D Condition																		
Exposure D	Ultimate Wind Speed, V (mph)	Rail Type	Roof Wind Pressure Zone 1								Roof Wind Pressure Zone 2							
			Roof Snow Load (psf)								Roof Snow Load (psf)							
			0	10	20	30	40	50	60	70	0	10	20	30	40	50	60	70
ROOFS 0° TO 7°	110	X80	507	507	479	424	372	335	307	285	730	730	730	730	643	578	531	493
		X48	344	344	326	297	271	254	239	222	496	496	496	496	470	437	414	384
		48-S	329	329	311	283	259	240	220	204	473	473	473	473	448	415	380	353
	115	X80	539	539	523	466	409	368	337	313	776	776	776	776	706	635	582	541
		X48	367	367	356	326	298	279	262	244	528	528	528	528	515	480	453	422
		48-S	350	350	339	311	285	263	242	224	503	503	503	503	491	454	417	387
	120	X80	572	572	567	511	448	403	369	342	823	823	823	823	771	695	637	592
		X48	389	389	386	355	327	305	287	268	560	560	560	560	560	526	497	462
		48-S	372	372	367	338	312	288	265	245	535	535	535	535	535	498	456	423
	130	X80	641	641	641	606	530	478	438	406	900	900	900	900	900	819	751	698
		X48	437	437	437	415	388	362	341	317	625	625	625	625	625	620	585	544
		48-S	416	416	416	395	369	341	313	291	596	596	596	596	596	586	538	500
	140	X80	712	712	712	703	620	559	512	475	900	900	900	900	900	900	876	813
		X48	485	485	485	479	449	423	399	371	693	693	693	693	693	693	682	635
		48-S	462	462	462	456	429	399	367	341	661	661	661	661	661	661	627	582
	150	X80	783	783	783	783	716	645	591	549	900	900	900	900	900	900	900	900
		X48	533	533	533	533	512	487	461	429	761	761	761	761	761	761	761	731
		48-S	509	509	509	509	488	462	423	393	726	726	726	726	726	726	721	670
	160	X80	858	858	858	858	819	738	676	629	900	900	900	900	900	900	900	900
		X48	583	583	583	583	579	551	527	490	831	831	831	831	831	831	831	831
		48-S	556	556	556	556	552	526	485	450	792	792	792	792	792	792	792	765
	170	X80	900	900	900	900	900	836	766	712	900	900	900	900	900	900	900	900
		X48	634	634	634	634	634	618	593	555	900	900	900	900	900	900	900	900
		48-S	605	605	605	605	605	588	548	509	860	860	860	860	860	860	860	860
180	X80	900	900	900	900	900	900	862	800	900	900	900	900	900	900	900	900	
	X48	686	686	686	686	686	686	660	625	900	900	900	900	900	900	900	900	
	48-S	654	654	654	654	654	654	617	573	900	900	900	900	900	900	900	900	
200	X80	900	900	900	900	900	900	900	900	900	900	900	900	900	900	900	900	
	X48	792	792	792	792	792	792	792	772	900	900	900	900	900	900	900	900	
	48-S	756	756	756	756	756	756	755	711	900	900	900	900	900	900	900	900	

Table 1.11: Maximum Downforce (lb.) - Wind Exposure D Condition																		
Exposure D	Ultimate Wind Speed, V (mph)	Rail Type	Roof Wind Pressure Zone 1							Roof Wind Pressure Zone 2								
			Roof Snow Load (psf)							Roof Snow Load (psf)								
			0	10	20	30	40	50	60	70	0	10	20	30	40	50	60	70
ROOFS 0° TO 7°	110	X80	291	416	565	663	757	841	917	987	243	347	497	659	757	841	917	987
		X48	198	283	384	464	553	637	714	770	165	236	339	448	553	637	714	770
		48-S	189	270	366	442	528	602	656	707	158	225	323	427	528	602	656	707
	115	X80	302	418	574	665	757	841	917	987	252	349	494	640	757	841	917	987
		X48	206	284	391	464	553	637	714	770	170	237	336	436	553	637	714	770
		48-S	196	271	372	443	528	602	656	707	163	226	320	415	528	602	656	707
	120	X80	311	419	584	677	757	841	917	987	260	350	492	633	757	841	917	987
		X48	212	285	397	470	553	637	714	770	177	238	334	431	550	637	714	770
		48-S	202	272	379	448	528	602	656	707	169	227	319	410	525	602	656	707
	130	X80	337	428	588	707	757	841	917	987	275	350	481	613	749	841	917	987
		X48	229	291	400	484	553	637	714	770	191	243	335	425	521	637	714	770
		48-S	218	277	382	462	528	602	656	707	183	232	319	406	496	602	656	707
	140	X80	359	437	589	731	778	841	917	987	266	323	435	548	660	792	917	987
		X48	245	297	401	498	563	637	714	770	204	249	335	422	509	610	714	770
		48-S	233	283	382	475	537	602	656	707	195	237	320	402	485	582	656	707
	150	X80	387	449	595	739	809	847	917	987	261	303	400	498	596	693	819	949
		X48	263	306	405	503	578	639	714	770	221	256	338	422	504	587	693	770
		48-S	252	291	386	480	551	606	656	707	210	244	322	402	480	559	656	707
	160	X80	413	461	600	739	839	875	917	987	255	285	370	456	541	627	717	831
		X48	281	314	409	502	592	654	714	770	235	264	342	421	500	579	662	768
		48-S	268	299	389	480	565	623	656	707	224	251	326	402	477	552	632	707
	170	X80	426	460	589	717	845	904	939	987	250	271	346	422	498	574	649	735
		X48	299	324	415	505	595	668	726	770	250	271	347	422	498	573	650	735
		48-S	285	308	395	481	568	637	672	707	239	259	331	403	476	548	620	703
180	X80	420	440	554	668	783	897	969	1002	247	259	327	394	462	529	596	664	
	X48	320	335	422	509	596	684	741	781	247	259	326	394	461	528	596	664	
	48-S	305	319	403	485	569	651	694	717	247	259	327	394	461	529	596	663	
200	X80	409	409	500	592	684	776	868	960	242	242	295	350	404	459	513	567	
	X48	360	360	440	521	602	683	764	824	242	242	296	350	404	459	514	568	
	48-S	344	344	420	496	574	651	729	759	242	242	295	350	404	459	513	567	

Table 1.12: Maximum Shear (lb.) - Wind Exposure D Condition																		
Exposure D	Ultimate Wind Speed, V (mph)	Rail Type	Roof Wind Pressure Zone 1								Roof Wind Pressure Zone 2							
			Roof Snow Load (psf)								Roof Snow Load (psf)							
			0	10	20	30	40	50	60	70	0	10	20	30	40	50	60	70
ROOFS 0° TO 7°	110	X80	108	124	209	265	303	337	368	396	142	142	183	264	303	337	368	396
		X48	73	85	143	186	222	256	287	308	96	96	125	179	222	256	287	308
		48-S	70	81	136	178	211	241	264	283	92	92	120	171	211	241	264	283
	115	X80	111	120	206	265	303	337	368	396	151	151	178	256	303	337	368	396
		X48	77	82	140	186	222	256	287	308	103	103	121	174	222	256	287	308
		48-S	72	78	135	178	211	241	264	283	98	98	116	167	211	241	264	283
	120	X80	117	117	205	265	303	337	368	396	160	160	172	248	303	337	368	396
		X48	80	80	140	184	222	256	287	308	109	109	117	168	221	256	287	308
		48-S	76	76	133	175	211	241	264	283	104	104	112	160	210	241	264	283
	130	X80	127	127	195	265	303	337	368	396	175	175	175	231	300	337	368	396
		X48	87	87	133	182	222	256	287	308	122	122	122	160	209	256	287	308
		48-S	83	83	128	174	211	241	264	283	116	116	116	152	198	241	264	283
	140	X80	138	138	186	264	303	337	368	396	175	175	175	196	257	318	368	396
		X48	94	94	127	179	221	256	287	308	135	135	135	152	198	245	287	308
		48-S	90	90	120	171	210	241	264	283	128	128	128	144	190	233	264	283
	150	X80	152	152	178	256	303	337	368	396	175	175	175	175	224	276	329	381
		X48	104	104	120	174	217	255	287	308	148	148	148	148	190	233	277	308
		48-S	99	99	116	166	206	241	264	283	141	141	141	141	180	222	264	283
	160	X80	167	167	170	244	303	337	368	396	175	175	175	175	195	241	288	333
		X48	113	113	116	166	214	252	287	308	162	162	162	162	182	222	265	307
		48-S	108	108	109	159	205	240	264	283	154	154	154	154	172	213	253	283
	170	X80	175	175	175	226	294	337	368	396	175	175	175	175	175	214	255	295
		X48	123	123	123	159	207	249	284	308	175	175	175	175	175	213	255	294
		48-S	118	118	118	151	198	237	264	283	167	167	167	167	167	205	244	283
180	X80	175	175	175	201	261	323	368	396	175	175	175	175	175	190	227	262	
	X48	133	133	133	152	199	245	280	308	175	175	175	175	175	190	226	262	
	48-S	127	127	127	145	190	234	264	283	175	175	175	175	175	191	226	263	
200	X80	175	175	175	175	211	260	310	358	175	175	175	175	175	175	183	212	
	X48	154	154	154	154	186	229	272	307	175	175	175	175	175	175	183	212	
	48-S	147	147	147	147	178	218	260	283	175	175	175	175	175	175	183	212	

Table 1.13: Maximum Span Length (in.) - Wind Exposure B Condition																		
Exposure B	Ultimate Wind Speed, V (mph)	Rail Type	Roof Wind Pressure Zone 1								Roof Wind Pressure Zone 2							
			Roof Snow Load (psf)								Roof Snow Load (psf)							
			0	10	20	30	40	50	60	70	0	10	20	30	40	50	60	70
ROOFS >7° TO 27°	110	X80	128	117	82	57	43	35	30	26	105	105	82	57	43	35	30	26
		X48	87	79	70	57	43	35	30	26	71	71	70	57	43	35	30	26
		48-S	83	76	67	57	43	35	30	26	68	68	67	57	43	35	30	26
	115	X80	124	115	82	57	43	35	30	26	101	101	82	57	43	35	30	26
		X48	84	78	70	57	43	35	30	26	69	69	69	57	43	35	30	26
		48-S	80	75	67	57	43	35	30	26	66	66	66	57	43	35	30	26
	120	X80	120	114	82	57	43	35	30	26	98	98	82	57	43	35	30	26
		X48	82	78	69	57	43	35	30	26	67	67	67	57	43	35	30	26
		48-S	78	74	66	57	43	35	30	26	64	64	64	57	43	35	30	26
	130	X80	113	111	82	57	43	35	30	26	93	93	82	57	43	35	30	26
		X48	77	76	68	57	43	35	30	26	63	63	63	57	43	35	30	26
		48-S	74	72	65	57	43	35	30	26	60	60	60	57	43	35	30	26
	140	X80	107	107	82	57	43	35	30	26	88	88	81	57	43	35	30	26
		X48	73	73	67	57	43	35	30	26	60	60	60	57	43	35	30	26
		48-S	70	70	64	57	43	35	30	26	57	57	57	57	43	35	30	26
	150	X80	102	102	82	57	43	35	30	26	84	84	82	57	43	35	30	26
		X48	70	70	66	57	43	35	30	26	57	57	57	57	43	35	30	26
		48-S	66	66	63	57	43	35	30	26	55	55	55	55	43	35	30	26
	160	X80	98	98	82	57	43	35	30	26	81	81	81	57	43	35	30	26
		X48	66	66	64	57	43	35	30	26	55	55	55	55	43	35	30	26
		48-S	63	63	61	57	43	35	30	26	52	52	52	52	43	35	30	26
	170	X80	94	94	82	57	43	35	30	26	77	77	77	57	43	35	30	26
		X48	64	64	63	57	43	35	30	26	53	53	53	53	43	35	30	26
		48-S	61	61	60	56	43	35	30	26	50	50	50	50	43	35	30	26
180	X80	90	90	82	57	43	35	30	26	68	68	68	57	43	35	30	26	
	X48	61	61	61	57	43	35	30	26	51	51	51	51	43	35	30	26	
	48-S	58	58	58	55	43	35	30	26	48	48	48	48	43	35	30	26	
200	X80	84	84	82	57	43	35	30	26	55	55	55	55	43	35	30	26	
	X48	57	57	57	56	43	35	30	26	47	47	47	47	43	35	30	26	
	48-S	54	54	54	54	43	35	30	26	45	45	45	45	43	35	30	26	

Table 1.14: Maximum Uplift (lb.) - Wind Exposure B Condition																		
Exposure B	Ultimate Wind Speed, V (mph)	Rail Type	Roof Wind Pressure Zone 1								Roof Wind Pressure Zone 2							
			Roof Snow Load (psf)								Roof Snow Load (psf)							
			0	10	20	30	40	50	60	70	0	10	20	30	40	50	60	70
ROOFS >7° TO 27°	110	X80	330	300	210	146	112	90	76	66	495	495	386	268	205	167	140	121
		X48	224	205	181	146	111	90	76	65	337	337	334	269	206	167	140	121
		48-S	214	195	173	147	112	91	76	66	322	322	318	268	205	166	140	121
	115	X80	353	329	232	162	124	101	85	73	527	527	424	295	226	183	154	133
		X48	240	224	199	161	124	100	84	73	358	358	358	295	226	183	154	133
		48-S	229	213	190	161	124	101	85	73	342	342	342	296	226	183	154	133
	120	X80	376	356	255	177	136	110	93	80	561	561	465	323	247	201	169	145
		X48	255	242	217	177	136	110	92	80	381	381	381	322	248	201	168	146
		48-S	243	231	206	177	136	110	92	80	364	364	364	323	247	201	169	146
	130	X80	422	414	304	211	162	131	110	95	626	626	549	382	292	238	200	172
		X48	288	282	254	211	162	131	111	95	426	426	426	381	292	237	200	172
		48-S	274	269	242	211	162	132	111	95	407	407	407	382	292	237	199	172
	140	X80	470	470	358	249	190	155	130	112	695	695	640	447	342	278	233	201
		X48	320	320	293	249	190	154	130	112	474	474	474	447	342	277	233	201
		48-S	306	306	279	249	190	154	130	112	451	451	451	447	342	277	234	201
	150	X80	519	519	414	287	220	179	150	130	765	765	742	515	394	320	269	232
		X48	353	353	337	287	220	179	150	130	521	521	521	516	395	320	269	232
		48-S	337	337	320	287	220	178	150	129	496	496	496	496	394	320	269	232
	160	X80	568	568	475	329	252	205	172	149	836	836	836	589	451	366	308	265
		X48	386	386	374	330	252	204	172	149	569	569	569	569	451	366	307	265
		48-S	369	369	357	330	252	205	172	148	542	542	542	542	451	365	308	265
	170	X80	620	620	540	375	287	233	196	169	900	900	900	666	510	415	348	300
		X48	422	422	417	376	287	233	196	169	618	618	618	618	511	414	348	300
		48-S	401	401	398	373	287	233	196	169	590	590	590	590	511	414	348	300
180	X80	670	670	607	423	323	262	221	190	900	900	900	748	574	467	392	338	
	X48	456	456	456	423	324	262	221	190	669	669	669	669	574	466	392	338	
	48-S	435	435	435	414	324	262	221	190	638	638	638	638	576	466	392	338	
200	X80	777	777	758	526	403	327	275	237	900	900	900	900	712	578	486	419	
	X48	528	528	528	524	404	327	275	237	772	772	772	772	711	578	485	419	
	48-S	504	504	504	499	403	327	275	237	736	736	736	736	714	578	486	419	

Table 1.15: Maximum Downforce (lb.) - Wind Exposure B Condition																		
Exposure B	Ultimate Wind Speed, V (mph)	Rail Type	Roof Wind Pressure Zone 1								Roof Wind Pressure Zone 2							
			Roof Snow Load (psf)								Roof Snow Load (psf)							
			0	10	20	30	40	50	60	70	0	10	20	30	40	50	60	70
ROOFS >7° TO 27°	110	X80	305	401	414	408	408	408	408	408	249	359	414	408	408	408	408	408
		X48	208	272	358	408	408	408	408	408	169	244	358	408	408	408	408	408
		48-S	198	260	341	409	408	408	408	407	162	233	341	409	408	408	408	407
	115	X80	316	409	423	408	408	408	408	408	259	360	423	408	408	408	408	408
		X48	216	278	362	408	408	408	408	408	176	244	358	408	408	408	408	408
		48-S	205	265	346	409	408	408	408	407	168	233	341	409	408	408	408	407
	120	X80	328	417	432	408	408	408	408	408	269	360	432	408	408	408	408	408
		X48	224	284	367	408	408	408	408	408	183	245	354	408	408	408	408	408
		48-S	213	271	350	409	408	408	408	407	174	233	338	409	408	408	408	407
	130	X80	353	439	451	408	408	408	408	408	290	367	451	408	408	408	408	408
		X48	240	299	377	408	408	408	408	408	197	249	351	408	408	408	408	408
		48-S	229	285	360	409	408	408	408	407	187	238	335	409	408	408	408	407
	140	X80	378	457	473	423	408	408	408	408	310	376	472	423	408	408	408	408
		X48	257	310	387	422	408	408	408	408	211	256	349	423	408	408	408	408
		48-S	245	296	369	422	408	408	408	407	202	244	332	423	408	408	408	407
	150	X80	375	447	481	428	408	408	408	408	309	368	481	428	408	408	408	408
		X48	255	304	392	427	408	408	408	408	210	250	338	429	408	408	408	408
		48-S	243	290	373	428	408	408	408	407	200	238	323	412	408	408	408	407
	160	X80	433	483	523	455	420	408	408	408	356	397	516	455	420	408	408	408
		X48	294	327	413	455	420	408	408	408	242	270	351	440	419	408	408	408
		48-S	280	312	393	456	420	408	408	407	231	258	335	420	420	408	408	407
	170	X80	462	498	555	473	434	411	408	408	378	407	520	473	434	411	408	408
		X48	315	338	429	473	434	410	408	408	259	280	357	439	435	410	408	408
		48-S	300	323	409	471	434	410	408	407	248	266	340	419	435	410	408	407
180	X80	492	514	586	493	448	422	408	408	371	389	489	492	448	422	408	408	
	X48	334	349	440	493	449	422	408	408	276	289	364	440	448	421	408	408	
	48-S	318	333	419	483	449	422	408	407	263	276	346	419	449	422	408	407	
200	X80	553	553	657	539	480	448	425	409	363	363	442	523	480	448	425	409	
	X48	377	377	458	537	481	447	425	409	311	311	379	448	479	448	425	409	
	48-S	358	358	436	513	480	447	426	408	297	297	361	427	481	447	426	408	

Table 1.16: Maximum Shear (lb.) - Wind Exposure B Condition																		
Exposure B	Ultimate Wind Speed, V (mph)	Rail Type	Roof Wind Pressure Zone 1								Roof Wind Pressure Zone 2							
			Roof Snow Load (psf)								Roof Snow Load (psf)							
			0	10	20	30	40	50	60	70	0	10	20	30	40	50	60	70
ROOFS >7° TO 27°	110	X80	112	347	432	432	432	432	432	432	130	311	432	432	432	432	432	432
		X48	76	237	374	432	432	432	432	432	88	213	374	432	432	432	432	432
		48-S	72	225	357	432	432	432	432	432	83	201	357	432	432	432	432	432
	115	X80	113	345	432	432	432	432	432	432	133	302	432	432	432	432	432	432
		X48	77	234	371	432	432	432	432	432	90	206	366	432	432	432	432	432
		48-S	73	223	354	432	432	432	432	432	86	196	349	432	432	432	432	432
	120	X80	117	340	432	432	432	432	432	432	137	292	432	432	432	432	432	432
		X48	78	230	367	432	432	432	432	432	94	199	354	432	432	432	432	432
		48-S	75	220	350	432	432	432	432	432	89	189	338	432	432	432	432	432
	130	X80	120	331	432	432	432	432	432	432	146	278	432	432	432	432	432	432
		X48	82	225	361	432	432	432	432	432	99	189	335	432	432	432	432	432
		48-S	79	215	345	432	432	432	432	432	95	180	321	432	432	432	432	432
	140	X80	127	321	432	432	432	432	432	432	155	263	432	432	432	432	432	432
		X48	86	218	354	432	432	432	432	432	106	179	318	432	432	432	432	432
		48-S	83	208	338	432	432	432	432	432	100	170	304	432	432	432	432	432
	150	X80	131	304	432	432	432	432	432	432	165	251	432	432	432	432	432	432
		X48	89	208	352	432	432	432	432	432	113	170	304	432	432	432	432	432
		48-S	85	199	335	432	432	432	432	432	108	163	290	417	432	432	432	432
	160	X80	138	292	432	432	432	432	432	432	175	240	426	432	432	432	432	432
		X48	93	199	340	432	432	432	432	432	119	163	290	417	432	432	432	432
		48-S	90	189	325	432	432	432	432	432	113	156	278	398	432	432	432	432
	170	X80	144	278	432	432	432	432	432	432	184	228	406	432	432	432	432	432
		X48	98	189	335	432	432	432	432	432	126	156	278	400	432	432	432	432
		48-S	94	182	319	431	432	432	432	432	119	149	266	383	432	432	432	432
180	X80	152	268	432	432	432	432	432	432	180	202	362	432	432	432	432	432	
	X48	103	182	325	432	432	432	432	432	134	151	268	385	432	432	432	432	
	48-S	98	175	309	424	432	432	432	432	128	144	256	367	432	432	432	432	
200	X80	167	249	432	432	432	432	432	432	175	175	291	418	432	432	432	432	
	X48	113	170	302	431	432	432	432	432	150	150	249	359	432	432	432	432	
	48-S	108	161	287	409	432	432	432	432	143	143	237	342	432	432	432	432	

Table 1.17: Maximum Span Length (in.) - Wind Exposure C Condition																		
Exposure C	Ultimate Wind Speed, V (mph)	Rail Type	Roof Wind Pressure Zone 1								Roof Wind Pressure Zone 2							
			Roof Snow Load (psf)								Roof Snow Load (psf)							
			0	10	20	30	40	50	60	70	0	10	20	30	40	50	60	70
ROOFS >7° TO 27°	110	X80	113	111	82	57	43	35	30	26	93	93	82	57	43	35	30	26
		X48	77	76	68	57	43	35	30	26	63	63	63	57	43	35	30	26
		48-S	73	72	65	57	43	35	30	26	60	60	60	57	43	35	30	26
	115	X80	110	110	82	57	43	35	30	26	90	90	81	57	43	35	30	26
		X48	75	74	67	57	43	35	30	26	61	61	61	57	43	35	30	26
		48-S	71	71	64	57	43	35	30	26	58	58	58	57	43	35	30	26
	120	X80	106	106	82	57	43	35	30	26	87	87	81	57	43	35	30	26
		X48	72	72	67	57	43	35	30	26	59	59	59	57	43	35	30	26
		48-S	69	69	63	57	43	35	30	26	57	57	57	57	43	35	30	26
	130	X80	100	100	82	57	43	35	30	26	83	83	82	57	43	35	30	26
		X48	68	68	65	57	43	35	30	26	56	56	56	56	43	35	30	26
		48-S	65	65	62	57	43	35	30	26	54	54	54	54	43	35	30	26
	140	X80	95	95	81	57	43	35	30	26	79	79	79	57	43	35	30	26
		X48	65	65	64	57	43	35	30	26	53	53	53	53	43	35	30	26
		48-S	62	62	61	57	43	35	30	26	51	51	51	51	43	35	30	26
	150	X80	91	91	82	57	43	35	30	26	70	70	70	57	43	35	30	26
		X48	62	62	62	57	43	35	30	26	51	51	51	51	43	35	30	26
		48-S	59	59	59	56	43	35	30	26	49	49	49	49	43	35	30	26
	160	X80	87	87	82	57	43	35	30	26	61	61	61	57	43	35	30	26
		X48	59	59	59	57	43	35	30	26	49	49	49	49	43	35	30	26
		48-S	56	56	56	55	43	35	30	26	47	47	47	47	44	35	30	26
	170	X80	83	83	82	57	43	35	30	26	54	54	54	54	43	35	30	26
		X48	57	57	57	56	43	35	30	26	47	47	47	47	43	35	30	26
		48-S	54	54	54	54	44	35	30	26	45	45	45	45	43	35	30	26
180	X80	80	80	80	57	43	35	30	26	48	48	48	48	43	35	30	26	
	X48	54	54	54	54	43	35	30	26	45	45	45	45	43	35	30	26	
	48-S	52	52	52	52	43	35	30	26	43	43	43	43	43	35	30	26	
200	X80	69	69	69	57	43	35	30	26	39	39	39	39	39	35	30	26	
	X48	51	51	51	51	43	35	30	26	39	39	39	39	39	35	30	26	
	48-S	48	48	48	48	43	35	30	26	39	39	39	39	39	35	30	26	

Table 1.18: Maximum Uplift (lb.) - Wind Exposure C Condition																		
Exposure C	Ultimate Wind Speed, V (mph)	Rail Type	Roof Wind Pressure Zone 1								Roof Wind Pressure Zone 2							
			Roof Snow Load (psf)								Roof Snow Load (psf)							
			0	10	20	30	40	50	60	70	0	10	20	30	40	50	60	70
ROOFS >7° TO 27°	110	X80	423	416	305	212	162	132	111	96	628	628	551	383	293	238	200	173
		X48	288	282	254	211	162	131	111	95	427	427	427	382	294	238	200	173
		48-S	274	269	243	212	162	132	111	95	408	408	408	383	293	238	200	173
	115	X80	452	452	336	234	179	145	122	105	668	668	603	420	322	261	219	190
		X48	307	307	277	234	179	145	122	105	454	454	454	420	322	262	219	190
		48-S	293	293	264	234	178	145	122	105	433	433	433	420	321	261	220	189
	120	X80	480	480	367	256	196	159	133	115	709	709	660	460	352	286	240	207
		X48	326	326	300	255	196	159	134	115	482	482	482	460	352	286	240	207
		48-S	311	311	286	257	196	159	133	115	460	460	460	459	352	285	241	207
	130	X80	538	538	436	304	232	189	158	137	792	792	781	543	415	337	283	244
		X48	366	366	348	303	232	188	158	137	538	538	538	538	415	337	283	244
		48-S	348	348	332	303	232	188	159	136	513	513	513	513	415	336	283	244
	140	X80	597	597	510	356	272	221	186	160	877	877	877	633	484	393	330	285
		X48	407	407	399	354	273	221	185	160	596	596	596	596	484	393	330	285
		48-S	387	387	381	355	272	221	186	160	569	569	569	569	484	393	331	285
	150	X80	657	657	590	410	314	255	214	185	900	900	900	728	558	453	380	328
		X48	447	447	447	411	314	255	214	185	656	656	656	656	558	452	381	328
		48-S	426	426	426	407	313	255	215	185	625	625	625	625	558	453	381	328
	160	X80	719	719	676	468	359	292	245	211	900	900	900	830	636	517	435	375
		X48	489	489	489	468	359	292	245	211	716	716	716	716	636	517	434	375
		48-S	466	466	466	453	359	291	245	211	683	683	683	683	638	517	434	374
	170	X80	782	782	767	533	408	331	278	240	900	900	900	900	720	585	492	424
		X48	533	533	533	528	408	331	278	240	777	777	777	777	719	584	491	423
		48-S	508	508	508	505	409	330	279	240	742	742	742	742	720	584	492	423
180	X80	846	846	846	599	458	372	313	270	900	900	900	900	811	658	553	477	
	X48	576	576	576	576	459	372	313	270	841	841	841	841	811	657	552	476	
	48-S	549	549	549	549	459	373	313	270	802	802	802	802	802	658	553	476	
200	X80	900	900	900	744	571	462	389	335	900	900	900	900	900	812	684	589	
	X48	665	665	665	665	569	462	389	335	900	900	900	900	900	813	683	589	
	48-S	635	635	635	635	571	462	389	335	900	900	900	900	900	813	683	589	

Table 1.19: Maximum Downforce (lb.) - Wind Exposure C Condition																		
Exposure C	Ultimate Wind Speed, V (mph)	Rail Type	Roof Wind Pressure Zone 1								Roof Wind Pressure Zone 2							
			Roof Snow Load (psf)								Roof Snow Load (psf)							
			0	10	20	30	40	50	60	70	0	10	20	30	40	50	60	70
ROOFS >7° TO 27°	110	X80	352	439	451	408	408	408	408	408	288	367	451	408	408	408	408	408
		X48	240	299	377	408	408	408	408	408	197	250	351	408	408	408	408	408
		48-S	229	285	360	409	408	408	408	407	187	237	334	409	408	408	408	407
	115	X80	368	452	465	417	408	408	408	408	303	373	463	417	408	408	408	408
		X48	250	308	383	416	408	408	408	408	206	253	350	416	408	408	408	408
		48-S	238	294	366	417	408	408	408	407	196	241	333	417	408	408	408	407
	120	X80	382	458	477	426	408	408	408	408	315	378	476	426	408	408	408	408
		X48	261	312	390	424	408	408	408	408	214	257	349	426	408	408	408	408
		48-S	248	298	372	426	408	408	408	407	204	245	332	424	408	408	408	407
	130	X80	415	473	505	445	412	408	408	408	342	391	506	445	412	408	408	408
		X48	283	323	403	444	412	408	408	408	233	266	349	442	412	408	408	408
		48-S	269	307	384	444	411	408	408	407	221	253	333	421	411	408	408	407
	140	X80	448	490	539	465	428	408	408	408	369	405	520	465	428	408	408	408
		X48	305	333	422	464	428	408	408	408	252	275	354	439	428	408	408	408
		48-S	291	318	402	465	428	408	408	407	240	263	337	419	428	408	408	407
	150	X80	446	481	553	473	433	410	408	408	344	371	474	472	433	410	408	408
		X48	304	328	418	474	433	409	408	408	251	270	346	425	434	409	408	408
		48-S	289	312	399	470	433	409	408	407	239	258	330	406	434	409	408	407
	160	X80	519	530	618	512	463	434	413	408	366	374	464	512	463	434	413	408
		X48	353	360	448	512	463	434	413	408	292	298	370	442	463	433	413	408
		48-S	337	343	427	495	463	433	413	407	278	283	353	422	464	433	413	407
	170	X80	557	557	662	544	483	450	427	410	363	363	440	520	483	450	427	410
		X48	379	379	459	539	483	449	426	410	314	314	380	450	482	450	426	410
		48-S	361	361	437	514	484	449	427	410	299	299	362	428	483	449	427	410
180	X80	595	595	693	575	504	466	441	422	358	358	418	489	505	466	441	422	
	X48	405	405	472	552	505	466	441	422	334	334	390	457	505	466	440	422	
	48-S	386	386	450	527	504	467	440	422	319	319	372	435	499	467	440	422	
200	X80	619	619	676	642	557	502	471	448	352	352	385	443	500	502	471	448	
	X48	458	458	499	574	556	504	471	448	352	352	385	443	500	504	471	448	
	48-S	437	437	477	548	558	502	471	448	352	352	385	443	500	504	471	448	

Table 1.20: Maximum Shear (lb.) - Wind Exposure C Condition																		
Exposure C	Ultimate Wind Speed, V (mph)	Rail Type	Roof Wind Pressure Zone 1							Roof Wind Pressure Zone 2								
			Roof Snow Load (psf)							Roof Snow Load (psf)								
			0	10	20	30	40	50	60	70	0	10	20	30	40	50	60	70
ROOFS >7° TO 27°	110	X80	122	331	432	432	432	432	432	432	146	278	432	432	432	432	432	432
		X48	82	225	361	432	432	432	432	432	99	189	335	432	432	432	432	432
		48-S	79	215	345	432	432	432	432	432	95	180	319	432	432	432	432	432
	115	X80	124	326	432	432	432	432	432	432	150	268	432	432	432	432	432	432
		X48	84	223	357	432	432	432	432	432	104	182	325	432	432	432	432	432
		48-S	81	211	340	432	432	432	432	432	98	175	309	432	432	432	432	432
	120	X80	127	316	432	432	432	432	432	432	156	261	432	432	432	432	432	432
		X48	87	215	352	432	432	432	432	432	106	177	316	432	432	432	432	432
		48-S	82	206	337	432	432	432	432	432	102	170	301	432	432	432	432	432
	130	X80	133	299	432	432	432	432	432	432	168	247	432	432	432	432	432	432
		X48	91	203	345	432	432	432	432	432	115	168	299	429	432	432	432	432
		48-S	86	194	328	432	432	432	432	432	108	160	285	409	432	432	432	432
	140	X80	142	285	432	432	432	432	432	432	181	235	417	432	432	432	432	432
		X48	97	194	338	432	432	432	432	432	122	160	283	407	432	432	432	432
		48-S	93	184	321	432	432	432	432	432	117	151	270	388	432	432	432	432
	150	X80	150	270	432	432	432	432	432	432	180	208	371	432	432	432	432	432
		X48	101	184	328	432	432	432	432	432	133	151	270	390	432	432	432	432
		48-S	97	175	313	431	432	432	432	432	126	146	258	371	432	432	432	432
	160	X80	158	259	432	432	432	432	432	432	177	182	326	432	432	432	432	432
		X48	107	177	314	432	432	432	432	432	141	146	259	373	432	432	432	432
		48-S	103	168	299	417	432	432	432	432	133	139	247	354	432	432	432	432
	170	X80	168	249	432	432	432	432	432	432	175	175	288	413	432	432	432	432
		X48	114	168	299	429	432	432	432	432	151	151	249	357	432	432	432	432
		48-S	107	160	287	409	432	432	432	432	144	144	237	340	432	432	432	432
180	X80	176	239	424	432	432	432	432	432	175	175	256	368	432	432	432	432	
	X48	120	163	290	416	432	432	432	432	163	163	239	345	432	432	432	432	
	48-S	113	156	275	395	432	432	432	432	156	156	228	328	428	432	432	432	
200	X80	180	205	363	432	432	432	432	432	175	175	207	298	387	432	432	432	
	X48	133	151	268	386	432	432	432	432	175	175	207	298	387	432	432	432	
	48-S	127	144	256	369	432	432	432	432	175	175	207	296	387	432	432	432	

Table 1.21: Maximum Span Length (in.) - Wind Exposure D Condition																		
Exposure D	Ultimate Wind Speed, V (mph)	Rail Type	Roof Wind Pressure Zone 1								Roof Wind Pressure Zone 2							
			Roof Snow Load (psf)								Roof Snow Load (psf)							
			0	10	20	30	40	50	60	70	0	10	20	30	40	50	60	70
ROOFS >7° TO 27°	110	X80	107	107	82	57	43	35	30	26	88	88	81	57	43	35	30	26
		X48	72	72	67	57	43	35	30	26	60	60	60	57	43	35	30	26
		48-S	69	69	64	57	43	35	30	26	57	57	57	57	43	35	30	26
	115	X80	103	103	82	57	43	35	30	26	85	85	82	57	43	35	30	26
		X48	70	70	66	57	43	35	30	26	58	58	58	57	43	35	30	26
		48-S	67	67	63	57	43	35	30	26	55	55	55	55	43	35	30	26
	120	X80	100	100	82	57	43	35	30	26	82	82	81	57	43	35	30	26
		X48	68	68	65	57	43	35	30	26	56	56	56	56	43	35	30	26
		48-S	65	65	62	57	43	35	30	26	53	53	53	53	43	35	30	26
	130	X80	95	95	82	57	43	35	30	26	78	78	78	57	43	35	30	26
		X48	64	64	63	57	43	35	30	26	53	53	53	53	43	35	30	26
		48-S	61	61	60	57	43	35	30	26	51	51	51	51	43	35	30	26
	140	X80	90	90	82	57	43	35	30	26	68	68	68	57	43	35	30	26
		X48	61	61	61	57	43	35	30	26	50	50	50	50	43	35	30	26
		48-S	58	58	58	55	43	35	30	26	48	48	48	48	43	35	30	26
	150	X80	86	86	81	57	43	35	30	26	59	59	59	57	43	35	30	26
		X48	58	58	58	57	43	35	30	26	48	48	48	48	43	35	30	26
		48-S	56	56	56	55	43	35	30	26	46	46	46	46	43	35	30	26
	160	X80	82	82	82	57	43	35	30	26	52	52	52	52	43	35	30	26
		X48	56	56	56	56	43	35	30	26	46	46	46	46	43	35	30	26
		48-S	53	53	53	53	43	35	30	26	44	44	44	44	43	35	30	26
	170	X80	79	79	79	57	43	35	30	26	46	46	46	46	43	35	30	26
		X48	53	53	53	53	44	35	30	26	44	44	44	44	43	35	30	26
		48-S	51	51	51	51	43	35	30	26	42	42	42	42	42	35	30	26
180	X80	72	72	72	57	43	35	30	26	41	41	41	41	41	35	30	26	
	X48	51	51	51	51	43	35	30	26	41	41	41	41	41	35	30	26	
	48-S	49	49	49	49	43	35	30	26	41	41	41	41	41	35	30	26	
200	X80	58	58	58	57	43	35	30	26	33	33	33	33	33	33	30	26	
	X48	48	48	48	48	43	35	30	26	33	33	33	33	33	33	30	26	
	48-S	46	46	46	46	43	35	30	26	33	33	33	33	33	33	30	26	

Table 1.22: Maximum Uplift (lb.) - Wind Exposure D Condition																		
Exposure D	Ultimate Wind Speed, V (mph)	Rail Type	Roof Wind Pressure Zone 1								Roof Wind Pressure Zone 2							
			Roof Snow Load (psf)								Roof Snow Load (psf)							
			0	10	20	30	40	50	60	70	0	10	20	30	40	50	60	70
ROOFS >7° TO 27°	110	X80	478	478	366	255	195	158	133	115	708	708	658	458	351	285	239	206
		X48	325	325	299	254	195	158	133	115	481	481	481	457	351	284	239	206
		48-S	310	310	285	255	195	158	133	115	459	459	459	458	350	285	239	206
	115	X80	510	510	404	281	215	174	147	126	752	752	722	502	384	312	262	226
		X48	348	348	326	280	215	174	147	127	511	511	511	501	384	312	262	226
		48-S	331	331	311	281	214	174	147	127	487	487	487	487	384	311	263	226
	120	X80	541	541	441	307	235	191	160	138	798	798	787	549	420	341	287	247
		X48	368	368	352	307	235	191	160	138	542	542	542	542	420	341	286	247
		48-S	352	352	335	307	235	191	160	138	517	517	517	517	419	340	286	247
	130	X80	606	606	522	363	278	226	190	164	890	890	890	646	494	402	337	291
		X48	412	412	407	363	279	225	189	164	605	605	605	605	494	401	337	291
		48-S	393	393	387	362	278	226	190	163	578	578	578	578	496	401	337	291
	140	X80	673	673	612	425	326	264	222	191	900	900	900	753	577	469	394	340
		X48	457	457	457	425	326	264	222	192	671	671	671	671	576	467	394	340
		48-S	437	437	437	416	326	264	222	191	639	639	639	639	577	468	394	339
	150	X80	739	739	702	490	375	304	256	220	900	900	900	868	664	539	453	391
		X48	504	504	504	490	375	304	256	221	736	736	736	736	664	538	453	391
		48-S	480	480	480	475	375	304	256	220	703	703	703	703	664	539	454	390
	160	X80	808	808	805	559	428	348	292	252	900	900	900	900	757	615	517	446
		X48	550	550	550	550	429	347	293	252	804	804	804	804	759	615	516	446
		48-S	525	525	525	525	429	348	292	252	767	767	767	767	757	615	517	445
	170	X80	880	880	880	634	486	395	332	286	900	900	900	900	858	696	585	504
		X48	598	598	598	598	487	394	332	286	873	873	873	873	857	694	584	504
		48-S	570	570	570	570	487	394	332	286	832	832	832	832	832	695	584	504
180	X80	900	900	900	714	546	444	373	321	900	900	900	900	900	782	657	566	
	X48	647	647	647	647	546	442	372	322	900	900	900	900	900	781	657	566	
	48-S	617	617	617	617	546	443	372	321	900	900	900	900	900	781	657	566	
200	X80	900	900	900	887	678	550	463	399	900	900	900	900	900	900	812	701	
	X48	747	747	747	747	678	550	463	400	900	900	900	900	900	900	811	701	
	48-S	713	713	713	713	680	549	464	399	900	900	900	900	900	900	813	701	

Table 1.23: Maximum Downforce (lb.) - Wind Exposure D Condition																		
Exposure D	Ultimate Wind Speed, V (mph)	Rail Type	Roof Wind Pressure Zone 1								Roof Wind Pressure Zone 2							
			Roof Snow Load (psf)								Roof Snow Load (psf)							
			0	10	20	30	40	50	60	70	0	10	20	30	40	50	60	70
ROOFS >7° TO 27°	110	X80	381	458	476	425	408	408	408	408	314	376	476	425	408	408	408	408
		X48	260	312	389	423	408	408	408	408	213	256	348	424	408	408	408	408
		48-S	247	298	371	425	408	408	408	407	204	245	332	424	408	408	408	407
	115	X80	400	466	492	435	408	408	408	408	329	384	492	435	408	408	408	408
		X48	272	317	397	434	408	408	408	408	224	261	349	435	408	408	408	408
		48-S	259	303	378	436	408	408	408	407	214	249	332	423	408	408	408	407
	120	X80	418	474	507	446	413	408	408	408	343	391	506	446	413	408	408	408
		X48	284	323	404	445	413	408	408	408	234	266	349	441	413	408	408	408
		48-S	270	307	385	445	413	408	408	407	222	254	333	420	413	408	408	407
	130	X80	453	493	546	469	430	408	408	408	375	407	523	469	430	408	408	408
		X48	309	336	424	469	431	408	408	408	255	277	355	439	430	408	408	408
		48-S	294	320	405	468	430	408	408	407	243	264	339	418	431	408	408	407
	140	X80	492	514	587	493	449	422	408	408	371	388	488	494	449	422	408	408
		X48	334	349	439	493	450	422	408	408	277	289	364	439	448	422	408	408
		48-S	319	333	419	483	450	422	408	407	264	276	346	419	449	422	408	407
	150	X80	490	506	601	502	456	428	409	408	336	347	434	503	456	428	409	408
		X48	333	344	430	502	456	428	409	408	275	284	355	426	457	428	409	408
		48-S	317	328	410	488	456	428	409	407	262	271	339	407	455	428	409	407
	160	X80	571	571	679	555	490	457	432	415	360	360	429	505	490	457	432	415
		X48	389	389	464	546	492	455	432	415	321	321	383	451	492	456	432	415
		48-S	370	370	442	521	491	457	432	414	306	306	366	431	490	456	432	414
	170	X80	615	615	704	590	517	475	448	428	357	357	409	476	518	475	448	428
		X48	418	418	479	557	519	475	448	429	346	346	396	462	517	475	448	429
		48-S	399	399	456	532	518	475	448	428	330	330	377	440	502	475	448	428
180	X80	622	622	688	629	546	495	465	443	353	353	390	450	510	495	465	443	
	X48	447	447	494	570	545	494	464	443	353	353	390	450	510	495	465	442	
	48-S	426	426	471	543	545	495	464	443	353	353	390	450	510	495	465	443	
200	X80	611	611	636	711	607	545	502	474	348	348	362	411	460	508	502	474	
	X48	507	507	528	599	607	544	502	475	348	348	362	411	460	507	501	474	
	48-S	483	483	504	571	609	544	503	474	348	348	362	411	459	508	502	474	

Table 1.24: Maximum Shear (lb.) - Wind Exposure D Condition																		
Exposure D	Ultimate Wind Speed, V (mph)	Rail Type	Roof Wind Pressure Zone 1							Roof Wind Pressure Zone 2								
			Roof Snow Load (psf)							Roof Snow Load (psf)								
			0	10	20	30	40	50	60	70	0	10	20	30	40	50	60	70
ROOFS >7° TO 27°	110	X80	127	316	432	432	432	432	432	432	156	261	432	432	432	432	432	432
		X48	87	215	352	432	432	432	432	432	106	177	316	432	432	432	432	432
		48-S	82	206	338	432	432	432	432	432	101	170	302	432	432	432	432	432
	115	X80	131	307	432	432	432	432	432	432	162	254	432	432	432	432	432	432
		X48	88	208	349	432	432	432	432	432	111	172	306	432	432	432	432	432
		48-S	86	199	333	432	432	432	432	432	105	165	292	419	432	432	432	432
	120	X80	135	299	432	432	432	432	432	432	169	246	432	432	432	432	432	432
		X48	92	203	345	432	432	432	432	432	115	168	297	428	432	432	432	432
		48-S	88	194	328	432	432	432	432	432	109	160	283	407	432	432	432	432
	130	X80	142	282	432	432	432	432	432	432	183	232	414	432	432	432	432	432
		X48	98	192	335	432	432	432	432	432	124	158	282	405	432	432	432	432
		48-S	94	182	321	431	432	432	432	432	118	151	268	386	432	432	432	432
	140	X80	151	268	432	432	432	432	432	432	179	201	359	432	432	432	432	432
		X48	103	182	323	432	432	432	432	432	134	151	268	385	432	432	432	432
		48-S	99	173	309	424	432	432	432	432	128	144	256	367	432	432	432	432
	150	X80	160	256	432	432	432	432	432	432	176	176	312	432	432	432	432	432
		X48	110	173	309	432	432	432	432	432	143	144	256	367	432	432	432	432
		48-S	105	165	295	419	432	432	432	432	137	137	244	350	432	432	432	432
	160	X80	171	244	432	432	432	432	432	432	175	175	274	394	432	432	432	432
		X48	117	165	295	424	432	432	432	432	156	156	244	352	432	432	432	432
		48-S	110	158	282	405	432	432	432	432	149	149	232	335	432	432	432	432
	170	X80	181	234	417	432	432	432	432	432	175	175	242	348	432	432	432	432
		X48	124	158	283	407	432	432	432	432	170	170	235	338	432	432	432	432
		48-S	117	151	270	388	432	432	432	432	162	162	223	321	419	432	432	432
180	X80	181	213	379	432	432	432	432	432	175	175	215	309	404	432	432	432	
	X48	130	153	273	393	432	432	432	432	175	175	215	309	404	432	432	432	
	48-S	124	146	261	374	432	432	432	432	175	175	215	309	404	432	432	432	
200	X80	176	176	306	432	432	432	432	432	175	175	175	250	327	402	432	432	
	X48	145	145	254	364	432	432	432	432	175	175	175	250	327	402	432	432	
	48-S	139	139	242	347	432	432	432	432	175	175	175	250	326	403	432	432	

Table 1.25: Maximum Span Length (in.) - Wind Exposure B Condition																		
Exposure B	Ultimate Wind Speed, V (mph)	Rail Type	Roof Wind Pressure Zone 1								Roof Wind Pressure Zone 2							
			Roof Snow Load (psf)								Roof Snow Load (psf)							
			0	10	20	30	40	50	60	70	0	10	20	30	40	50	60	70
ROOFS >27° TO 45°	110	X80	127	114	64	44	34	28	23	20	104	104	64	44	34	28	23	20
		X48	87	82	64	44	34	28	23	20	71	71	64	44	34	28	23	20
		48-S	83	78	64	44	34	28	23	20	68	68	64	44	34	28	23	20
	115	X80	123	114	64	44	34	28	23	20	101	101	64	44	34	28	23	20
		X48	84	81	64	44	34	28	23	20	69	69	64	44	34	28	23	20
		48-S	80	77	64	44	34	28	23	20	66	66	64	44	34	28	23	20
	120	X80	120	114	64	44	34	28	23	20	98	98	64	44	34	28	23	20
		X48	81	80	64	44	34	28	23	20	67	67	64	44	34	28	23	20
		48-S	78	76	64	44	34	28	23	20	64	64	64	44	34	28	23	20
	130	X80	113	113	64	44	34	28	23	20	93	93	64	44	34	28	23	20
		X48	77	77	64	44	34	28	23	20	63	63	63	44	34	28	23	20
		48-S	73	73	64	44	34	28	23	20	60	60	60	44	34	28	23	20
	140	X80	107	107	64	44	34	28	23	20	88	88	64	44	34	28	23	20
		X48	73	73	64	44	34	28	23	20	60	60	60	44	34	28	23	20
		48-S	69	69	64	44	34	28	23	20	57	57	57	44	34	28	23	20
	150	X80	102	102	64	44	34	28	23	20	84	84	64	44	34	28	23	20
		X48	69	69	64	44	34	28	23	20	57	57	57	44	34	28	23	20
		48-S	66	66	64	44	34	28	23	20	55	55	55	44	34	28	23	20
	160	X80	97	97	64	44	34	28	23	20	80	80	64	44	34	28	23	20
		X48	66	66	64	44	34	28	23	20	55	55	55	44	34	28	23	20
		48-S	63	63	63	44	34	28	23	20	52	52	52	45	34	28	23	20
	170	X80	93	93	64	44	34	28	23	20	76	76	64	44	34	28	23	20
		X48	64	64	64	44	34	28	23	20	52	52	52	44	34	28	23	20
		48-S	61	61	61	44	34	28	23	20	50	50	50	44	34	28	23	20
180	X80	90	90	64	44	34	28	23	20	68	68	64	44	34	28	23	20	
	X48	61	61	61	44	34	28	23	20	50	50	50	44	34	28	23	20	
	48-S	58	58	58	44	34	28	23	20	48	48	48	44	34	28	23	20	
200	X80	83	83	64	44	34	28	23	20	55	55	55	44	34	28	23	20	
	X48	57	57	57	44	34	28	23	20	47	47	47	44	34	28	23	20	
	48-S	54	54	54	44	34	28	23	20	45	45	45	44	34	28	23	20	

Table 1.26: Maximum Uplift (lb.) - Wind Exposure B Condition																		
Exposure B	Ultimate Wind Speed, V (mph)	Rail Type	Roof Wind Pressure Zone 1								Roof Wind Pressure Zone 2							
			Roof Snow Load (psf)								Roof Snow Load (psf)							
			0	10	20	30	40	50	60	70	0	10	20	30	40	50	60	70
ROOFS >27° TO 45°	110	X80	334	299	167	116	89	72	61	53	498	498	305	212	163	132	111	96
		X48	227	214	167	117	90	72	61	53	339	339	305	213	163	132	111	96
		48-S	216	204	168	117	89	72	61	52	323	323	306	212	163	132	111	96
	115	X80	357	329	185	129	99	80	67	58	530	530	335	233	178	145	122	105
		X48	243	233	185	129	98	80	67	58	361	361	335	233	179	145	122	105
		48-S	231	224	185	129	99	80	67	58	344	344	335	233	179	145	122	105
	120	X80	379	361	203	141	108	88	74	64	564	564	367	255	196	158	133	115
		X48	258	253	203	141	108	88	74	64	384	384	367	255	196	159	134	115
		48-S	246	241	203	141	108	87	73	64	365	365	365	255	196	158	133	115
	130	X80	426	425	241	167	129	104	87	75	629	629	433	301	231	187	158	136
		X48	289	289	241	168	129	104	87	76	428	428	428	301	231	187	158	136
		48-S	276	276	242	168	128	104	87	76	408	408	408	301	231	187	157	136
	140	X80	474	474	283	197	151	122	103	89	698	698	506	351	269	218	184	158
		X48	323	323	283	197	151	122	103	89	475	475	475	352	270	219	184	159
		48-S	307	307	283	197	151	122	103	89	452	452	452	352	270	218	184	159
	150	X80	522	522	327	227	174	141	119	102	768	768	583	405	311	252	212	183
		X48	355	355	327	227	174	141	119	102	523	523	523	406	311	252	212	183
		48-S	338	338	327	227	175	141	119	103	498	498	498	405	311	252	212	183
	160	X80	571	571	374	260	200	161	136	117	839	839	666	463	355	288	242	209
		X48	388	388	374	260	200	162	136	118	571	571	571	465	355	288	242	209
		48-S	371	371	370	261	200	161	136	117	544	544	544	464	356	288	242	209
	170	X80	622	622	426	296	227	184	155	133	900	900	754	524	402	326	274	236
		X48	424	424	424	297	227	184	155	133	619	619	619	524	402	326	274	237
		48-S	404	404	404	296	227	184	155	134	591	591	591	526	403	326	274	237
180	X80	673	673	479	333	255	207	174	150	900	900	849	589	452	366	308	266	
	X48	458	458	458	333	255	207	174	150	670	670	670	590	452	367	309	266	
	48-S	436	436	436	333	256	207	174	150	639	639	639	590	452	366	308	266	
200	X80	779	779	597	415	318	257	217	187	900	900	900	730	559	453	382	329	
	X48	530	530	530	415	317	257	217	187	773	773	773	732	560	454	382	329	
	48-S	505	505	505	415	318	257	217	187	737	737	737	729	559	454	382	330	

Table 1.27: Maximum Downforce (lb.) - Wind Exposure B Condition																		
Exposure B	Ultimate Wind Speed, V (mph)	Rail Type	Roof Wind Pressure Zone 1							Roof Wind Pressure Zone 2								
			Roof Snow Load (psf)							Roof Snow Load (psf)								
			0	10	20	30	40	50	60	70	0	10	20	30	40	50	60	70
ROOFS >27° TO 45°	110	X80	293	376	311	302	302	302	302	302	241	345	311	302	302	302	302	302
		X48	200	271	309	302	302	302	302	302	164	235	311	302	302	302	302	302
		48-S	191	258	311	302	302	302	302	302	155	223	311	302	302	302	302	302
	115	X80	306	388	317	302	302	302	302	302	250	346	317	302	302	302	302	302
		X48	208	276	318	302	302	302	302	302	170	235	317	302	302	302	302	302
		48-S	198	263	318	302	302	302	302	302	162	224	318	302	302	302	302	302
	120	X80	317	401	325	302	302	302	302	302	260	347	325	302	302	302	302	302
		X48	216	281	325	302	302	302	302	302	177	235	325	302	302	302	302	302
		48-S	205	268	325	302	302	302	302	302	169	225	323	302	302	302	302	302
	130	X80	342	424	340	305	302	302	302	302	281	350	340	305	302	302	302	302
		X48	232	289	340	306	302	302	302	302	192	238	336	306	302	302	302	302
		48-S	222	276	340	306	302	302	302	302	182	227	321	306	302	302	302	302
	140	X80	368	432	357	317	302	302	302	302	303	356	357	317	302	302	302	302
		X48	250	293	356	317	302	302	302	302	206	242	335	317	302	302	302	302
		48-S	238	280	357	317	302	302	302	302	196	231	319	317	302	302	302	302
	150	X80	366	421	363	321	302	302	302	302	302	347	362	321	302	302	302	302
		X48	249	287	364	322	302	302	302	302	205	236	325	322	302	302	302	302
		48-S	238	273	363	322	302	302	302	302	196	225	310	321	302	302	302	302
	160	X80	424	453	394	343	315	302	302	302	350	373	394	343	315	302	302	302
		X48	288	308	393	343	316	302	302	302	238	254	337	344	315	302	302	302
		48-S	275	294	389	343	316	302	302	302	227	242	322	344	316	302	302	302
	170	X80	453	469	414	357	327	307	302	302	370	384	415	357	327	307	302	302
		X48	308	320	412	357	327	308	302	302	255	264	341	358	327	308	302	302
		48-S	294	305	393	358	327	308	302	302	244	251	325	358	327	308	302	302
180	X80	484	487	436	372	338	317	303	302	365	368	437	372	338	317	303	302	
	X48	329	331	417	372	338	317	303	302	272	274	344	372	338	317	303	302	
	48-S	314	316	398	372	339	317	303	302	259	260	328	372	339	317	303	302	
200	X80	546	546	484	405	363	337	320	307	357	357	414	405	363	337	320	307	
	X48	371	371	429	406	363	337	320	307	308	308	355	406	364	337	320	307	
	48-S	354	354	409	406	364	337	320	307	293	293	339	405	363	338	320	307	

Table 1.28: Maximum Shear (lb.) - Wind Exposure B Condition																		
Exposure B	Ultimate Wind Speed, V (mph)	Rail Type	Roof Wind Pressure Zone 1								Roof Wind Pressure Zone 2							
			Roof Snow Load (psf)								Roof Snow Load (psf)							
			0	10	20	30	40	50	60	70	0	10	20	30	40	50	60	70
ROOFS >27° TO 45°	110	X80	125	432	432	432	432	432	432	432	139	396	432	432	432	432	432	432
		X48	86	310	432	432	432	432	432	432	96	270	432	432	432	432	432	432
		48-S	82	297	432	432	432	432	432	432	91	256	432	432	432	432	432	432
	115	X80	127	432	432	432	432	432	432	432	143	385	432	432	432	432	432	432
		X48	87	306	432	432	432	432	432	432	98	261	432	432	432	432	432	432
		48-S	83	293	432	432	432	432	432	432	93	250	432	432	432	432	432	432
	120	X80	128	432	432	432	432	432	432	432	146	373	432	432	432	432	432	432
		X48	88	304	432	432	432	432	432	432	99	254	432	432	432	432	432	432
		48-S	84	288	432	432	432	432	432	432	95	241	430	432	432	432	432	432
	130	X80	133	427	432	432	432	432	432	432	156	353	432	432	432	432	432	432
		X48	90	292	432	432	432	432	432	432	105	241	427	432	432	432	432	432
		48-S	86	279	432	432	432	432	432	432	101	229	407	432	432	432	432	432
	140	X80	138	407	432	432	432	432	432	432	164	335	432	432	432	432	432	432
		X48	93	277	432	432	432	432	432	432	112	227	405	432	432	432	432	432
		48-S	88	263	432	432	432	432	432	432	106	218	387	432	432	432	432	432
	150	X80	143	387	432	432	432	432	432	432	173	319	432	432	432	432	432	432
		X48	97	263	432	432	432	432	432	432	118	218	387	432	432	432	432	432
		48-S	92	252	432	432	432	432	432	432	113	207	369	432	432	432	432	432
	160	X80	149	371	432	432	432	432	432	432	183	306	432	432	432	432	432	432
		X48	101	252	432	432	432	432	432	432	125	207	369	432	432	432	432	432
		48-S	96	241	425	432	432	432	432	432	118	198	353	432	432	432	432	432
	170	X80	155	355	432	432	432	432	432	432	191	289	432	432	432	432	432	432
		X48	106	241	430	432	432	432	432	432	132	200	355	432	432	432	432	432
		48-S	99	230	409	432	432	432	432	432	125	191	338	432	432	432	432	432
180	X80	161	342	432	432	432	432	432	432	187	257	432	432	432	432	432	432	
	X48	109	232	414	432	432	432	432	432	140	191	342	432	432	432	432	432	
	48-S	105	220	394	432	432	432	432	432	132	182	326	432	432	432	432	432	
200	X80	175	317	432	432	432	432	432	432	180	208	371	432	432	432	432	432	
	X48	119	216	385	432	432	432	432	432	154	178	317	432	432	432	432	432	
	48-S	114	205	367	432	432	432	432	432	147	171	304	432	432	432	432	432	

Table 1.29: Maximum Span Length (in.) - Wind Exposure C Condition																		
Exposure C	Ultimate Wind Speed, V (mph)	Rail Type	Roof Wind Pressure Zone 1								Roof Wind Pressure Zone 2							
			Roof Snow Load (psf)								Roof Snow Load (psf)							
			0	10	20	30	40	50	60	70	0	10	20	30	40	50	60	70
ROOFS >27° TO 45°	110	X80	113	113	64	44	34	28	23	20	93	93	64	44	34	28	23	20
		X48	77	77	64	44	34	28	23	20	63	63	63	44	34	28	23	20
		48-S	73	73	64	44	34	28	23	20	60	60	60	44	34	28	23	20
	115	X80	109	109	64	44	34	28	23	20	90	90	64	44	34	28	23	20
		X48	74	74	64	44	34	28	23	20	61	61	61	44	34	28	23	20
		48-S	71	71	64	44	34	28	23	20	58	58	58	44	34	28	23	20
	120	X80	106	106	64	44	34	28	23	20	87	87	64	44	34	28	23	20
		X48	72	72	64	44	34	28	23	20	59	59	59	44	34	28	23	20
		48-S	69	69	64	44	34	28	23	20	57	57	57	44	34	28	23	20
	130	X80	100	100	64	44	34	28	23	20	83	83	64	44	34	28	23	20
		X48	68	68	64	44	34	28	23	20	56	56	56	44	34	28	23	20
		48-S	65	65	64	44	34	28	23	20	54	54	54	44	34	28	23	20
	140	X80	95	95	64	44	34	28	23	20	79	79	64	44	34	28	23	20
		X48	65	65	64	44	34	28	23	20	53	53	53	44	34	28	23	20
		48-S	62	62	62	44	34	28	23	20	51	51	51	44	34	28	23	20
	150	X80	91	91	64	44	34	28	23	20	70	70	64	44	34	28	23	20
		X48	62	62	62	44	34	28	23	20	51	51	51	44	34	28	23	20
		48-S	59	59	59	44	34	28	23	20	49	49	49	44	34	28	23	20
	160	X80	87	87	64	44	34	28	23	20	61	61	61	44	34	28	23	20
		X48	59	59	59	44	34	28	23	20	49	49	49	44	34	28	23	20
		48-S	56	56	56	44	34	28	23	20	47	47	47	44	34	28	23	20
	170	X80	83	83	64	44	34	28	23	20	54	54	54	44	34	28	23	20
		X48	57	57	57	44	34	28	23	20	47	47	47	45	34	28	23	20
		48-S	54	54	54	44	34	28	23	20	45	45	45	44	34	28	23	20
180	X80	80	80	64	44	34	28	23	20	48	48	48	44	34	28	23	20	
	X48	54	54	54	44	34	28	23	20	45	45	45	44	34	28	23	20	
	48-S	52	52	52	44	34	28	23	20	43	43	43	43	34	28	23	20	
200	X80	68	68	64	44	34	28	23	20	39	39	39	39	34	28	23	20	
	X48	51	51	51	44	34	28	23	20	39	39	39	39	34	28	23	20	
	48-S	48	48	48	44	34	28	23	20	39	39	39	39	34	28	23	20	

Table 1.30: Maximum Uplift (lb.) - Wind Exposure C Condition																		
Exposure C	Ultimate Wind Speed, V (mph)	Rail Type	Roof Wind Pressure Zone 1								Roof Wind Pressure Zone 2							
			Roof Snow Load (psf)								Roof Snow Load (psf)							
			0	10	20	30	40	50	60	70	0	10	20	30	40	50	60	70
ROOFS >27° TO 45°	110	X80	426	425	242	168	129	104	88	76	631	631	435	302	232	188	158	136
		X48	290	290	241	168	129	105	88	76	429	429	429	302	232	188	158	136
		48-S	276	276	242	168	129	105	88	76	409	409	409	303	232	188	158	136
	115	X80	455	455	267	185	142	115	97	83	671	671	476	331	254	206	173	149
		X48	310	310	266	185	142	115	97	84	457	457	457	332	254	206	173	150
		48-S	296	296	266	186	142	115	96	83	435	435	435	332	254	206	174	149
	120	X80	483	483	291	202	155	126	106	91	712	712	522	362	278	225	189	163
		X48	329	329	292	202	155	126	106	91	485	485	485	362	278	225	189	164
		48-S	314	314	291	202	156	126	106	91	462	462	462	362	278	225	189	163
	130	X80	541	541	344	239	184	149	125	108	794	794	615	426	327	265	223	192
		X48	368	368	345	240	184	149	125	108	540	540	540	427	327	265	223	193
		48-S	350	350	345	240	184	149	125	108	515	515	515	426	328	265	223	193
	140	X80	600	600	403	281	215	174	147	126	880	880	716	497	381	309	260	224
		X48	408	408	404	281	215	174	147	127	599	599	599	498	382	309	260	224
		48-S	390	390	390	280	215	174	147	127	571	571	571	498	382	309	260	224
	150	X80	660	660	465	323	248	201	169	146	900	900	825	572	439	356	299	258
		X48	449	449	449	324	248	201	169	146	657	657	657	573	440	356	300	258
		48-S	428	428	428	323	248	201	169	146	627	627	627	573	439	356	300	259
	160	X80	722	722	532	370	283	230	193	166	900	900	900	654	501	406	342	295
		X48	491	491	491	369	283	229	193	167	718	718	718	653	501	406	342	295
		48-S	469	469	469	370	284	229	193	167	685	685	685	654	502	406	341	295
	170	X80	785	785	602	419	322	260	219	189	900	900	900	738	566	459	386	333
		X48	534	534	534	421	322	261	219	189	779	779	779	740	567	459	386	333
		48-S	509	509	509	419	322	260	219	189	743	743	743	739	566	459	386	334
180	X80	849	849	679	471	361	292	246	212	900	900	900	831	636	516	434	374	
	X48	577	577	577	472	361	293	246	212	842	842	842	830	637	517	434	375	
	48-S	550	550	550	472	361	293	246	212	803	803	803	803	637	516	434	375	
200	X80	900	900	842	585	449	364	306	264	900	900	900	900	788	638	537	463	
	X48	667	667	667	585	449	364	306	264	900	900	900	900	787	638	537	464	
	48-S	637	637	637	585	448	364	307	264	900	900	900	900	787	639	537	464	

Table 1.31: Maximum Downforce (lb.) - Wind Exposure C Condition																		
Exposure C	Ultimate Wind Speed, V (mph)	Rail Type	Roof Wind Pressure Zone 1							Roof Wind Pressure Zone 2								
			Roof Snow Load (psf)							Roof Snow Load (psf)								
			0	10	20	30	40	50	60	70	0	10	20	30	40	50	60	70
ROOFS >27° TO 45°	110	X80	342	424	340	305	302	302	302	302	281	350	340	305	302	302	302	302
		X48	232	289	340	306	302	302	302	302	192	238	335	305	302	302	302	302
		48-S	222	276	340	306	302	302	302	302	182	226	320	306	302	302	302	302
	115	X80	358	429	350	312	302	302	302	302	295	353	350	312	302	302	302	302
		X48	243	292	350	312	302	302	302	302	200	241	335	313	302	302	302	302
		48-S	232	278	350	313	302	302	302	302	191	229	320	313	302	302	302	302
	120	X80	373	433	360	319	302	302	302	302	308	357	361	319	302	302	302	302
		X48	254	294	361	319	302	302	302	302	209	243	335	319	302	302	302	302
		48-S	242	281	360	319	302	302	302	302	200	232	320	319	302	302	302	302
	130	X80	406	443	382	334	309	302	302	302	335	366	382	334	309	302	302	302
		X48	276	302	383	335	310	302	302	302	228	249	336	335	310	302	302	302
		48-S	264	288	382	335	310	302	302	302	217	237	321	335	310	302	302	302
	140	X80	440	462	404	351	322	303	302	302	363	382	406	351	322	303	302	302
		X48	299	314	406	351	322	304	302	302	247	260	339	350	322	304	302	302
		48-S	286	299	391	351	322	304	302	302	236	248	324	351	322	304	302	302
	150	X80	438	454	414	356	326	307	302	302	337	350	414	356	326	307	302	302
		X48	297	309	399	357	326	307	302	302	247	255	330	357	327	307	302	302
		48-S	284	295	381	356	327	307	302	302	235	243	315	356	326	307	302	302
	160	X80	511	511	458	387	349	326	310	302	360	360	437	387	349	326	310	302
		X48	347	347	422	386	349	326	311	302	288	288	349	387	350	326	311	302
		48-S	331	331	402	387	350	326	310	302	274	274	333	387	350	326	310	302
	170	X80	549	549	486	407	365	339	321	308	357	357	412	407	365	339	321	308
		X48	373	373	430	408	365	339	321	308	310	310	356	407	366	339	321	308
		48-S	357	357	410	407	365	338	321	308	295	295	340	407	365	338	321	308
180	X80	587	587	523	428	381	351	332	317	353	353	393	428	381	351	332	317	
	X48	400	400	444	429	380	353	332	318	330	330	368	427	381	352	332	318	
	48-S	382	382	423	429	381	352	332	318	315	315	351	413	381	352	332	318	
200	X80	611	611	598	473	416	380	356	338	348	348	364	415	416	380	356	338	
	X48	453	453	475	473	417	381	356	338	349	349	365	415	415	380	356	338	
	48-S	433	433	452	473	416	380	356	338	349	349	365	415	416	381	356	338	

Table 1.32: Maximum Shear (lb.) - Wind Exposure C Condition																		
Exposure C	Ultimate Wind Speed, V (mph)	Rail Type	Roof Wind Pressure Zone 1								Roof Wind Pressure Zone 2							
			Roof Snow Load (psf)								Roof Snow Load (psf)							
			0	10	20	30	40	50	60	70	0	10	20	30	40	50	60	70
ROOFS >27° TO 45°	110	X80	133	427	432	432	432	432	432	432	155	353	432	432	432	432	432	432
		X48	90	292	432	432	432	432	432	432	107	239	427	432	432	432	432	432
		48-S	86	279	432	432	432	432	432	432	100	229	407	432	432	432	432	432
	115	X80	135	414	432	432	432	432	432	432	160	342	432	432	432	432	432	432
		X48	92	281	432	432	432	432	432	432	109	232	414	432	432	432	432	432
		48-S	89	270	432	432	432	432	432	432	103	221	394	432	432	432	432	432
	120	X80	138	403	432	432	432	432	432	432	166	331	432	432	432	432	432	432
		X48	94	274	432	432	432	432	432	432	112	225	401	432	432	432	432	432
		48-S	89	261	432	432	432	432	432	432	108	216	382	432	432	432	432	432
	130	X80	145	380	432	432	432	432	432	432	178	315	432	432	432	432	432	432
		X48	99	259	432	432	432	432	432	432	121	214	380	432	432	432	432	432
		48-S	94	247	432	432	432	432	432	432	114	205	362	432	432	432	432	432
	140	X80	151	360	432	432	432	432	432	432	189	299	432	432	432	432	432	432
		X48	103	245	432	432	432	432	432	432	128	203	362	432	432	432	432	432
		48-S	98	234	416	432	432	432	432	432	123	193	344	432	432	432	432	432
	150	X80	160	344	432	432	432	432	432	432	188	264	432	432	432	432	432	432
		X48	109	234	416	432	432	432	432	432	136	193	344	432	432	432	432	432
		48-S	103	223	398	432	432	432	432	432	130	184	329	432	432	432	432	432
	160	X80	168	329	432	432	432	432	432	432	183	232	413	432	432	432	432	432
		X48	114	225	398	432	432	432	432	432	147	185	330	432	432	432	432	432
		48-S	109	214	380	432	432	432	432	432	139	178	315	432	432	432	432	432
	170	X80	175	315	432	432	432	432	432	432	179	205	366	432	432	432	432	432
		X48	120	214	382	432	432	432	432	432	155	178	317	432	432	432	432	432
		48-S	113	205	364	432	432	432	432	432	148	169	302	432	432	432	432	432
180	X80	185	304	432	432	432	432	432	432	176	183	326	432	432	432	432	432	
	X48	126	207	367	432	432	432	432	432	164	171	304	432	432	432	432	432	
	48-S	119	198	351	432	432	432	432	432	156	162	290	418	432	432	432	432	
200	X80	186	260	432	432	432	432	432	432	175	175	263	379	432	432	432	432	
	X48	138	191	342	432	432	432	432	432	175	175	263	378	432	432	432	432	
	48-S	132	182	326	432	432	432	432	432	175	175	263	379	432	432	432	432	

Table 1.33: Maximum Span Length (in.) - Wind Exposure D Condition																		
Exposure D	Ultimate Wind Speed, V (mph)	Rail Type	Roof Wind Pressure Zone 1								Roof Wind Pressure Zone 2							
			Roof Snow Load (psf)								Roof Snow Load (psf)							
			0	10	20	30	40	50	60	70	0	10	20	30	40	50	60	70
ROOFS >27° TO 45°	110	X80	106	106	64	44	34	28	23	20	87	87	64	44	34	28	23	20
		X48	72	72	64	44	34	28	23	20	59	59	59	44	34	28	23	20
		48-S	69	69	64	44	34	28	23	20	57	57	57	44	34	28	23	20
	115	X80	103	103	64	44	34	28	23	20	85	85	64	44	34	28	23	20
		X48	70	70	64	44	34	28	23	20	58	58	58	44	34	28	23	20
		48-S	67	67	64	44	34	28	23	20	55	55	55	44	34	28	23	20
	120	X80	100	100	64	44	34	28	23	20	82	82	64	44	34	28	23	20
		X48	68	68	64	44	34	28	23	20	56	56	56	44	34	28	23	20
		48-S	65	65	64	44	34	28	23	20	53	53	53	44	34	28	23	20
	130	X80	94	94	64	44	34	28	23	20	78	78	64	44	34	28	23	20
		X48	64	64	64	44	34	28	23	20	53	53	53	44	34	28	23	20
		48-S	61	61	61	44	34	28	23	20	51	51	51	44	34	28	23	20
	140	X80	90	90	64	44	34	28	23	20	68	68	64	44	34	28	23	20
		X48	61	61	61	44	34	28	23	20	50	50	50	44	34	28	23	20
		48-S	58	58	58	44	34	28	23	20	48	48	48	44	34	28	23	20
	150	X80	85	85	64	44	34	28	23	20	59	59	59	44	34	28	23	20
		X48	58	58	58	44	34	28	23	20	48	48	48	44	34	28	23	20
		48-S	55	55	55	44	34	28	23	20	46	46	46	44	34	28	23	20
	160	X80	82	82	64	44	34	28	23	20	51	51	51	44	34	28	23	20
		X48	56	56	56	45	34	28	23	20	46	46	46	44	34	28	23	20
		48-S	53	53	53	44	34	28	23	20	44	44	44	44	34	28	23	20
	170	X80	78	78	64	44	34	28	23	20	46	46	46	44	34	28	23	20
		X48	53	53	53	44	34	28	23	20	44	44	44	44	34	28	23	20
		48-S	51	51	51	44	34	28	23	20	42	42	42	42	34	28	23	20
180	X80	71	71	64	44	34	28	23	20	40	40	40	40	34	28	23	20	
	X48	51	51	51	44	34	28	23	20	40	40	40	40	34	28	23	20	
	48-S	49	49	49	44	34	28	23	20	40	40	40	40	34	28	23	20	
200	X80	57	57	57	44	34	28	23	20	33	33	33	33	33	28	23	20	
	X48	48	48	48	44	34	28	23	20	33	33	33	33	33	28	23	20	
	48-S	46	46	46	44	34	28	23	20	33	33	33	33	33	28	23	20	

Table 1.34: Maximum Uplift (lb.) - Wind Exposure D Condition																		
Exposure D	Ultimate Wind Speed, V (mph)	Rail Type	Roof Wind Pressure Zone 1								Roof Wind Pressure Zone 2							
			Roof Snow Load (psf)								Roof Snow Load (psf)							
			0	10	20	30	40	50	60	70	0	10	20	30	40	50	60	70
ROOFS >27° TO 45°	110	X80	481	481	290	201	154	125	105	91	710	710	519	360	276	224	189	162
		X48	328	328	290	202	155	126	105	91	483	483	483	361	277	225	189	163
		48-S	313	313	290	201	155	125	106	91	461	461	461	361	277	224	189	163
	115	X80	513	513	319	222	170	138	116	100	755	755	569	395	303	245	207	178
		X48	349	349	320	222	171	138	116	100	513	513	513	395	303	246	207	178
		48-S	333	333	319	222	170	138	116	100	490	490	490	395	303	245	207	179
	120	X80	544	544	348	242	186	151	127	109	800	800	622	432	331	268	226	194
		X48	371	371	348	243	186	150	127	109	544	544	544	432	331	269	226	195
		48-S	353	353	348	243	186	151	127	109	519	519	519	432	331	268	226	195
	130	X80	609	609	412	286	220	178	150	129	893	893	733	508	389	316	265	229
		X48	414	414	412	287	220	178	150	129	608	608	608	510	390	316	266	229
		48-S	395	395	395	287	220	178	150	129	579	579	579	508	390	316	266	229
	140	X80	676	676	482	335	257	208	175	151	900	900	851	592	454	368	309	267
		X48	460	460	460	335	256	208	175	151	672	672	672	592	455	368	310	267
		48-S	438	438	438	335	257	208	175	151	641	641	641	592	454	368	309	267
	150	X80	742	742	555	385	295	239	202	174	900	900	900	681	522	423	356	307
		X48	505	505	505	387	296	240	202	174	738	738	738	681	523	423	356	308
		48-S	481	481	481	386	296	239	201	174	704	704	704	683	522	424	357	308
	160	X80	811	811	633	441	338	273	230	198	900	900	900	777	595	483	406	350
		X48	552	552	552	441	338	274	230	199	806	806	806	778	595	484	406	351
		48-S	527	527	527	441	338	274	230	199	768	768	768	768	595	483	406	351
	170	X80	882	882	718	500	383	311	261	225	900	900	900	878	674	546	459	396
		X48	600	600	600	499	383	310	261	225	875	875	875	875	675	547	459	397
		48-S	572	572	572	499	383	311	261	225	834	834	834	834	673	546	459	397
180	X80	900	900	806	562	430	348	293	253	900	900	900	900	758	613	516	445	
	X48	649	649	649	561	431	349	293	253	900	900	900	900	756	613	516	445	
	48-S	618	618	618	560	431	349	293	253	900	900	900	900	756	614	517	446	
200	X80	900	900	900	697	533	433	364	314	900	900	900	900	900	759	638	550	
	X48	749	749	749	698	534	433	364	314	900	900	900	900	900	757	637	550	
	48-S	714	714	714	696	533	433	364	315	900	900	900	900	900	758	639	551	

Table 1.35: Maximum Downforce (lb.) - Wind Exposure D Condition																		
Exposure D	Ultimate Wind Speed, V (mph)	Rail Type	Roof Wind Pressure Zone 1								Roof Wind Pressure Zone 2							
			Roof Snow Load (psf)								Roof Snow Load (psf)							
			0	10	20	30	40	50	60	70	0	10	20	30	40	50	60	70
ROOFS >27° TO 45°	110	X80	372	432	359	319	302	302	302	302	307	357	359	319	302	302	302	302
		X48	253	294	360	319	302	302	302	302	208	243	334	319	302	302	302	302
		48-S	242	281	359	319	302	302	302	302	199	231	319	319	302	302	302	302
	115	X80	391	438	372	327	304	302	302	302	322	361	371	327	304	302	302	302
		X48	265	298	372	328	304	302	302	302	219	246	335	328	304	302	302	302
		48-S	253	284	371	327	304	302	302	302	208	235	320	327	304	302	302	302
	120	X80	408	444	383	336	310	302	302	302	336	366	384	336	310	302	302	302
		X48	277	302	383	336	310	302	302	302	229	249	336	335	310	302	302	302
		48-S	265	288	382	336	311	302	302	302	218	238	320	335	311	302	302	302
	130	X80	445	465	409	353	324	305	302	302	368	384	410	353	324	305	302	302
		X48	303	317	409	354	324	306	302	302	251	261	340	354	324	306	302	302
		48-S	289	301	393	354	325	305	302	302	239	249	324	353	325	305	302	302
	140	X80	484	487	437	372	338	317	303	302	364	367	437	372	338	317	303	302
		X48	329	332	417	373	338	317	303	302	272	274	344	372	339	317	303	302
		48-S	314	315	397	373	339	317	303	302	260	262	328	372	339	317	303	302
	150	X80	482	482	447	379	344	321	306	302	331	331	410	379	344	321	306	302
		X48	328	328	407	380	344	322	307	302	272	272	337	380	344	321	307	302
		48-S	313	313	388	380	344	322	307	302	259	259	321	380	344	322	307	302
	160	X80	564	564	499	415	371	343	325	312	355	355	403	415	371	343	325	312
		X48	383	383	436	416	371	344	325	312	317	317	361	416	371	345	325	312
		48-S	366	366	416	416	371	344	325	312	302	302	344	411	371	344	325	312
	170	X80	608	608	540	439	390	358	338	322	353	353	385	440	390	358	338	322
		X48	414	414	451	439	390	358	338	323	342	342	374	438	390	359	338	323
		48-S	395	395	430	439	390	359	338	323	326	326	357	417	389	359	338	323
180	X80	614	614	582	465	409	374	351	334	349	349	369	423	409	374	351	334	
	X48	442	442	468	464	409	374	351	334	349	349	369	423	409	374	351	334	
	48-S	422	422	446	464	410	374	351	334	349	349	369	423	409	374	351	334	
200	X80	604	604	606	526	450	408	379	358	345	345	346	387	433	408	379	358	
	X48	503	503	504	526	451	408	379	358	345	345	346	387	433	407	379	358	
	48-S	479	479	481	525	450	408	379	359	345	345	345	387	433	408	380	359	

Table 1.36: Maximum Shear (lb.) - Wind Exposure D Condition																		
Exposure D	Ultimate Wind Speed, V (mph)	Rail Type	Roof Wind Pressure Zone 1								Roof Wind Pressure Zone 2							
			Roof Snow Load (psf)								Roof Snow Load (psf)							
			0	10	20	30	40	50	60	70	0	10	20	30	40	50	60	70
ROOFS >27° TO 45°	110	X80	138	403	432	432	432	432	432	432	166	333	432	432	432	432	432	432
		X48	94	274	432	432	432	432	432	432	112	225	403	432	432	432	432	432
		48-S	89	261	432	432	432	432	432	432	106	216	382	432	432	432	432	432
	115	X80	142	391	432	432	432	432	432	432	171	322	432	432	432	432	432	432
		X48	96	266	432	432	432	432	432	432	116	218	389	432	432	432	432	432
		48-S	91	254	432	432	432	432	432	432	111	209	371	432	432	432	432	432
	120	X80	144	378	432	432	432	432	432	432	178	313	432	432	432	432	432	432
		X48	98	259	432	432	432	432	432	432	120	214	378	432	432	432	432	432
		48-S	93	245	432	432	432	432	432	432	115	203	360	432	432	432	432	432
	130	X80	154	358	432	432	432	432	432	432	190	297	432	432	432	432	432	432
		X48	104	243	432	432	432	432	432	432	130	202	358	432	432	432	432	432
		48-S	99	232	414	432	432	432	432	432	123	191	342	432	432	432	432	432
	140	X80	161	340	432	432	432	432	432	432	186	256	432	432	432	432	432	432
		X48	109	232	412	432	432	432	432	432	139	191	340	432	432	432	432	432
		48-S	105	220	393	432	432	432	432	432	133	182	324	432	432	432	432	432
	150	X80	170	324	432	432	432	432	432	432	182	222	397	432	432	432	432	432
		X48	116	220	394	432	432	432	432	432	149	182	326	432	432	432	432	432
		48-S	110	211	376	432	432	432	432	432	141	173	310	432	432	432	432	432
	160	X80	178	310	432	432	432	432	432	432	178	195	347	432	432	432	432	432
		X48	123	211	376	432	432	432	432	432	159	175	311	432	432	432	432	432
		48-S	116	202	358	432	432	432	432	432	151	167	297	427	432	432	432	432
	170	X80	189	297	432	432	432	432	432	432	175	175	307	432	432	432	432	432
		X48	129	203	360	432	432	432	432	432	170	170	299	430	432	432	432	432
		48-S	123	193	344	432	432	432	432	432	162	162	286	409	432	432	432	432
180	X80	188	270	432	432	432	432	432	432	175	175	274	393	432	432	432	432	
	X48	136	196	346	432	432	432	432	432	175	175	274	394	432	432	432	432	
	48-S	130	187	331	432	432	432	432	432	175	175	274	393	432	432	432	432	
200	X80	181	219	388	432	432	432	432	432	175	175	221	319	415	432	432	432	
	X48	150	182	324	432	432	432	432	432	175	175	221	318	415	432	432	432	
	48-S	143	173	308	432	432	432	432	432	175	175	220	318	415	432	432	432	

Table 1.1: Maximum Span Length (in.) - Wind Exposure B Condition																		
Exposure B	Ultimate Wind Speed, V (mph)	Rail Type	Roof Wind Pressure Zone 1								Roof Wind Pressure Zone 2							
			Roof Snow Load (psf)								Roof Snow Load (psf)							
			0	10	20	30	40	50	60	70	0	10	20	30	40	50	60	70
ROOFS 0° TO 7°	110	X80	118	111	95	79	70	63	57	53	97	97	95	79	70	63	57	53
		X48	80	75	65	57	52	49	45	42	66	66	65	57	52	49	45	42
		48-S	76	72	62	55	50	45	41	38	63	63	62	55	50	45	41	38
	115	X80	114	110	95	79	70	63	57	53	94	94	94	79	70	63	57	53
		X48	77	75	65	57	52	49	45	42	64	64	64	57	52	49	45	42
		48-S	74	71	62	55	50	45	41	38	61	61	61	55	50	45	41	38
	120	X80	110	109	95	79	70	63	57	53	91	91	91	79	70	63	57	53
		X48	75	74	65	57	52	49	45	42	62	62	62	57	52	49	45	42
		48-S	71	70	62	55	50	45	41	38	59	59	59	55	50	45	41	38
	130	X80	104	104	94	79	70	63	57	53	86	86	86	79	70	63	57	53
		X48	71	71	64	57	52	49	45	42	59	59	59	57	52	49	45	42
		48-S	67	67	61	55	50	45	41	38	56	56	56	55	50	45	41	38
	140	X80	98	98	93	79	70	63	57	53	82	82	82	79	70	63	57	53
		X48	67	67	63	57	52	49	45	42	56	56	56	56	52	49	45	42
		48-S	64	64	60	55	50	45	41	38	53	53	53	53	50	45	41	38
	150	X80	94	94	91	79	70	63	57	53	78	78	78	78	70	63	57	53
		X48	64	64	62	57	52	49	45	42	53	53	53	53	52	49	45	42
		48-S	61	61	59	54	50	45	41	38	51	51	51	51	50	45	41	38
	160	X80	89	89	89	79	70	63	57	53	69	69	69	69	69	63	57	53
		X48	61	61	61	56	52	49	45	42	51	51	51	51	51	49	45	42
		48-S	58	58	58	54	50	45	41	38	48	48	48	48	48	45	41	38
	170	X80	86	86	86	79	70	63	57	53	61	61	61	61	61	61	57	53
		X48	58	58	58	56	52	49	45	42	49	49	49	49	49	49	45	42
		48-S	56	56	56	53	50	45	41	38	46	46	46	46	46	45	41	38
180	X80	82	82	82	79	70	63	57	53	54	54	54	54	54	54	54	53	
	X48	56	56	56	55	52	49	45	42	47	47	47	47	47	47	45	42	
	48-S	53	53	53	53	49	45	41	38	45	45	45	45	45	45	41	38	
200	X80	74	74	74	74	70	63	57	53	44	44	44	44	44	44	44	44	
	X48	52	52	52	52	51	48	45	42	44	44	44	44	44	44	44	42	
	48-S	50	50	50	50	49	45	41	38	42	42	42	42	42	42	41	38	

Table 1.2: Maximum Uplift (lb.) - Wind Exposure B Condition																		
Exposure B	Ultimate Wind Speed, V (mph)	Rail Type	Roof Wind Pressure Zone 1								Roof Wind Pressure Zone 2							
			Roof Snow Load (psf)								Roof Snow Load (psf)							
			0	10	20	30	40	50	60	70	0	10	20	30	40	50	60	70
ROOFS 0° TO 7°	110	X80	393	369	318	266	233	209	192	178	574	574	561	470	411	370	340	315
		X48	267	251	215	192	175	163	150	139	390	390	382	338	309	288	265	246
		48-S	255	239	206	183	166	150	137	127	372	372	363	322	294	265	243	226
	115	X80	420	405	350	294	257	232	212	197	611	611	611	516	452	406	373	347
		X48	285	275	238	211	194	181	165	153	416	416	416	372	340	318	292	271
		48-S	272	262	227	201	184	165	151	141	397	397	397	355	324	292	267	248
	120	X80	447	441	386	323	283	254	233	216	650	650	650	567	496	447	410	380
		X48	304	300	262	233	212	198	182	169	442	442	442	408	373	348	320	297
		48-S	290	286	250	222	202	182	166	154	422	422	422	389	355	320	293	272
	130	X80	503	503	455	384	337	303	278	258	728	728	728	670	587	528	484	450
		X48	342	342	309	277	254	237	217	202	495	495	495	483	442	412	378	351
		48-S	326	326	294	264	241	217	199	185	472	472	472	460	420	378	347	322
	140	X80	561	561	528	452	396	357	328	304	809	809	809	784	686	618	566	526
		X48	381	381	359	326	298	278	255	238	550	550	550	550	516	482	442	410
		48-S	363	363	343	311	284	255	234	217	524	524	524	524	491	443	406	377
	150	X80	618	618	604	525	460	414	379	352	889	889	889	889	792	713	654	607
		X48	421	421	411	377	346	322	296	275	605	605	605	605	596	556	510	474
		48-S	401	401	391	360	329	296	271	252	577	577	577	577	567	511	468	435
	160	X80	678	678	678	602	528	475	436	404	900	900	900	900	900	816	748	695
		X48	462	462	462	428	397	371	340	315	662	662	662	662	662	636	583	542
		48-S	440	440	440	409	377	340	312	289	631	631	631	631	631	584	536	498
	170	X80	738	738	738	685	599	539	495	459	900	900	900	900	900	900	847	786
		X48	502	502	502	481	451	420	385	358	719	719	719	719	719	719	661	614
		48-S	479	479	479	459	429	385	354	329	686	686	686	686	686	661	607	563
180	X80	800	800	800	772	676	608	558	517	900	900	900	900	900	900	900	886	
	X48	543	543	543	536	504	474	435	404	777	777	777	777	777	777	744	691	
	48-S	519	519	519	511	481	435	399	370	742	742	742	742	742	742	682	634	
200	X80	900	900	900	900	842	757	695	645	900	900	900	900	900	900	900	900	
	X48	630	630	630	630	616	586	542	503	898	898	898	898	898	898	898	857	
	48-S	601	601	601	601	588	542	498	462	856	856	856	856	856	856	846	786	

Table 1.3: Maximum Downforce (lb.) - Wind Exposure B Condition																		
Exposure B	Ultimate Wind Speed, V (mph)	Rail Type	Roof Wind Pressure Zone 1								Roof Wind Pressure Zone 2							
			Roof Snow Load (psf)								Roof Snow Load (psf)							
			0	10	20	30	40	50	60	70	0	10	20	30	40	50	60	70
ROOFS 0° TO 7°	110	X80	273	444	601	724	828	919	1002	1079	225	391	601	724	828	919	1002	1079
		X48	185	303	409	522	623	716	781	842	153	266	409	522	623	716	781	842
		48-S	177	288	390	497	592	657	717	772	146	254	390	497	592	657	717	772
	115	X80	280	452	601	724	828	919	1002	1079	232	388	596	724	828	919	1002	1079
		X48	191	307	409	522	623	716	781	842	158	264	406	522	623	716	781	842
		48-S	181	293	390	497	592	657	717	772	151	252	386	497	592	657	717	772
	120	X80	287	460	601	724	828	919	1002	1079	238	386	578	724	828	919	1002	1079
		X48	195	313	409	522	623	716	781	842	161	263	393	522	623	716	781	842
		48-S	186	298	390	497	592	657	717	772	154	250	375	497	592	657	717	772
	130	X80	304	465	616	724	828	919	1002	1079	253	386	566	724	828	919	1002	1079
		X48	207	316	418	522	623	716	781	842	172	263	385	522	623	716	781	842
		48-S	198	302	400	497	592	657	717	772	164	251	367	497	592	657	717	772
	140	X80	321	465	631	724	828	919	1002	1079	267	387	558	724	828	919	1002	1079
		X48	218	316	429	522	623	716	781	842	182	264	380	508	623	716	781	842
		48-S	209	301	410	497	592	657	717	772	174	251	362	484	592	657	717	772
	150	X80	341	470	649	730	828	919	1002	1079	285	392	555	718	828	919	1002	1079
		X48	232	320	442	525	623	716	781	842	194	266	377	487	623	716	781	842
		48-S	222	305	421	500	592	657	717	772	184	254	360	466	592	657	717	772
	160	X80	361	474	660	753	828	919	1002	1079	279	366	510	655	823	919	1002	1079
		X48	246	322	450	535	623	716	781	842	205	269	375	481	604	716	781	842
		48-S	234	307	429	510	592	657	717	772	195	256	358	459	576	657	717	772
	170	X80	381	481	660	778	828	919	1002	1079	271	343	469	597	726	896	1002	1079
		X48	260	327	449	547	623	716	781	842	217	274	375	477	580	715	781	842
		48-S	248	312	428	522	592	657	717	772	206	261	358	454	552	657	717	772
180	X80	404	490	662	805	850	919	1002	1079	266	323	436	550	663	796	945	1079	
	X48	275	334	450	560	634	716	781	842	230	279	377	475	572	688	781	842	
	48-S	262	318	429	533	605	657	717	772	219	266	359	452	546	655	717	772	
200	X80	437	497	653	807	901	941	1002	1079	257	292	383	474	566	657	763	884	
	X48	306	349	456	565	659	728	781	842	256	292	382	473	565	655	761	842	
	48-S	291	332	436	538	628	674	717	772	244	278	365	451	538	624	717	772	

Table 1.4: Maximum Shear (lb.) - Wind Exposure B Condition																		
Exposure B	Ultimate Wind Speed, V (mph)	Rail Type	Roof Wind Pressure Zone 1								Roof Wind Pressure Zone 2							
			Roof Snow Load (psf)								Roof Snow Load (psf)							
			0	10	20	30	40	50	60	70	0	10	20	30	40	50	60	70
ROOFS 0° TO 7°	110	X80	96	156	241	291	331	369	401	432	120	139	241	291	331	369	401	432
		X48	66	108	163	209	249	287	314	338	82	94	163	209	249	287	314	338
		48-S	62	102	156	199	237	264	287	310	78	90	156	199	237	264	287	310
	115	X80	98	156	241	291	331	369	401	432	125	133	238	291	331	369	401	432
		X48	67	106	163	209	249	287	314	338	85	90	163	209	249	287	314	338
		48-S	65	101	156	199	237	264	287	310	81	86	155	199	237	264	287	310
	120	X80	103	155	241	291	331	369	401	432	132	132	232	291	331	369	401	432
		X48	71	105	163	209	249	287	314	338	90	90	158	209	249	287	314	338
		48-S	68	101	156	199	237	264	287	310	86	86	151	199	237	264	287	310
	130	X80	110	148	237	291	331	369	401	432	143	143	218	291	331	369	401	432
		X48	76	101	163	209	249	287	314	338	98	98	148	209	249	287	314	338
		48-S	73	97	155	199	237	264	287	310	92	92	143	199	237	264	287	310
	140	X80	119	140	236	291	331	369	401	432	157	157	207	291	331	369	401	432
		X48	80	94	160	209	249	287	314	338	107	107	141	203	249	287	314	338
		48-S	77	90	152	199	237	264	287	310	102	102	135	194	237	264	287	310
	150	X80	128	133	232	291	331	369	401	432	173	173	198	284	331	369	401	432
		X48	86	90	158	209	249	287	314	338	118	118	135	194	249	287	314	338
		48-S	82	86	151	198	237	264	287	310	112	112	128	186	237	264	287	310
	160	X80	136	136	226	291	331	369	401	432	175	175	176	252	329	369	401	432
		X48	92	92	155	206	249	287	314	338	129	129	129	186	241	287	314	338
		48-S	88	88	147	197	237	264	287	310	123	123	124	178	230	264	287	310
	170	X80	145	145	217	291	331	369	401	432	175	175	175	222	290	359	401	432
		X48	98	98	148	205	249	287	314	338	140	140	140	178	233	287	314	338
		48-S	93	93	140	194	237	264	287	310	133	133	133	170	221	264	287	310
180	X80	156	156	209	291	331	369	401	432	175	175	175	198	258	319	378	432	
	X48	106	106	143	202	248	287	314	338	151	151	151	171	222	276	314	338	
	48-S	101	101	136	191	236	264	287	310	144	144	144	163	213	263	287	310	
200	X80	175	175	189	272	331	369	401	432	175	175	175	175	209	257	305	354	
	X48	122	122	132	190	242	284	314	338	175	175	175	175	207	256	304	338	
	48-S	117	117	125	182	232	264	287	310	166	166	166	166	198	245	287	310	

Table 1.5: Maximum Span Length (in.) - Wind Exposure C Condition																		
Exposure C	Ultimate Wind Speed, V (mph)	Rail Type	Roof Wind Pressure Zone 1								Roof Wind Pressure Zone 2							
			Roof Snow Load (psf)								Roof Snow Load (psf)							
			0	10	20	30	40	50	60	70	0	10	20	30	40	50	60	70
ROOFS 0° TO 7°	110	X80	104	104	94	79	70	63	57	53	86	86	86	79	70	63	57	53
		X48	71	71	64	57	52	49	45	42	59	59	59	57	52	49	45	42
		48-S	67	67	61	55	50	45	41	38	56	56	56	55	50	45	41	38
	115	X80	100	100	93	79	70	63	57	53	84	84	84	79	70	63	57	53
		X48	68	68	63	57	52	49	45	42	57	57	57	57	52	49	45	42
		48-S	65	65	60	55	50	45	41	38	54	54	54	54	50	45	41	38
	120	X80	97	97	92	79	70	63	57	53	81	81	81	79	70	63	57	53
		X48	66	66	63	57	52	49	45	42	55	55	55	55	52	49	45	42
		48-S	63	63	60	55	50	45	41	38	53	53	53	53	50	45	41	38
	130	X80	92	92	91	79	70	63	57	53	75	75	75	75	70	63	57	53
		X48	63	63	62	57	52	49	45	42	52	52	52	52	52	49	45	42
		48-S	60	60	59	54	50	45	41	38	50	50	50	50	50	45	41	38
	140	X80	87	87	87	79	70	63	57	53	64	64	64	64	64	63	57	53
		X48	59	59	59	56	52	49	45	42	50	50	50	50	50	49	45	42
		48-S	57	57	57	54	50	45	41	38	47	47	47	47	47	45	41	38
	150	X80	83	83	83	79	70	63	57	53	56	56	56	56	56	56	56	53
		X48	57	57	57	55	52	49	45	42	47	47	47	47	47	47	45	42
		48-S	54	54	54	53	50	45	41	38	45	45	45	45	45	45	41	38
	160	X80	80	80	80	79	70	63	57	53	49	49	49	49	49	49	49	49
		X48	54	54	54	54	51	49	45	42	45	45	45	45	45	45	45	42
		48-S	52	52	52	52	49	45	41	38	43	43	43	43	43	43	41	38
	170	X80	74	74	74	74	70	63	57	53	43	43	43	43	43	43	43	43
		X48	52	52	52	52	51	48	45	42	43	43	43	43	43	43	43	42
		48-S	49	49	49	49	49	45	41	38	41	41	41	41	41	41	41	38
180	X80	65	65	65	65	65	63	57	53	38	38	38	38	38	38	38	38	
	X48	50	50	50	50	50	48	45	42	38	38	38	38	38	38	38	38	
	48-S	48	48	48	48	48	45	41	38	38	38	38	38	38	38	38	38	
200	X80	53	53	53	53	53	53	53	53	31	31	31	31	31	31	31	31	
	X48	46	46	46	46	46	46	45	42	31	31	31	31	31	31	31	31	
	48-S	44	44	44	44	44	44	44	41	38	31	31	31	31	31	31	31	

Table 1.6: Maximum Uplift (lb.) - Wind Exposure C Condition																		
Exposure C	Ultimate Wind Speed, V (mph)	Rail Type	Roof Wind Pressure Zone 1								Roof Wind Pressure Zone 2							
			Roof Snow Load (psf)								Roof Snow Load (psf)							
			0	10	20	30	40	50	60	70	0	10	20	30	40	50	60	70
ROOFS 0° TO 7°	110	X80	505	505	456	387	339	305	279	260	729	729	729	671	588	530	485	451
		X48	343	343	310	278	255	238	218	202	496	496	496	484	443	413	379	352
		48-S	327	327	296	265	242	218	200	186	473	473	473	461	421	379	348	323
	115	X80	537	537	498	425	372	335	307	285	776	776	776	737	645	581	533	495
		X48	366	366	339	306	280	261	240	223	528	528	528	528	486	454	416	387
		48-S	348	348	323	292	267	240	220	204	504	504	504	504	462	416	381	354
	120	X80	572	572	542	466	408	368	336	312	825	825	825	808	707	637	584	542
		X48	388	388	369	335	307	286	262	244	561	561	561	561	533	496	456	423
		48-S	371	371	351	320	292	262	241	223	535	535	535	535	507	456	418	388
	130	X80	640	640	633	554	484	436	400	372	900	900	900	900	834	751	689	639
		X48	436	436	430	396	364	340	312	289	627	627	627	627	627	585	538	499
		48-S	415	415	411	377	347	312	286	266	597	597	597	597	597	538	493	458
	140	X80	712	712	712	649	568	511	469	435	900	900	900	900	900	876	804	746
		X48	484	484	484	458	427	399	366	340	694	694	694	694	694	684	627	583
		48-S	462	462	462	437	406	366	336	312	662	662	662	662	662	627	575	534
	150	X80	784	784	784	749	656	590	541	504	900	900	900	900	900	900	900	860
		X48	534	534	534	522	490	460	422	392	762	762	762	762	762	762	722	670
		48-S	509	509	509	498	468	422	388	361	728	728	728	728	728	722	663	615
	160	X80	858	858	858	858	751	676	620	576	900	900	900	900	900	900	900	900
		X48	583	583	583	583	555	527	484	449	834	834	834	834	834	834	825	766
		48-S	556	556	556	556	529	484	444	412	795	795	795	795	795	795	757	703
	170	X80	900	900	900	900	851	766	703	652	900	900	900	900	900	900	900	900
		X48	635	635	635	635	622	592	549	510	900	900	900	900	900	900	900	867
		48-S	605	605	605	605	594	549	503	467	863	863	863	863	863	863	856	796
180	X80	900	900	900	900	900	863	791	734	900	900	900	900	900	900	900	900	
	X48	687	687	687	687	687	660	618	573	900	900	900	900	900	900	900	900	
	48-S	654	654	654	654	654	618	567	526	900	900	900	900	900	900	900	894	
200	X80	900	900	900	900	900	900	900	900	900	900	900	900	900	900	900	900	
	X48	794	794	794	794	794	794	765	713	900	900	900	900	900	900	900	900	
	48-S	757	757	757	757	757	755	704	654	900	900	900	900	900	900	900	900	

Table 1.7: Maximum Downforce (lb.) - Wind Exposure C Condition																		
Exposure C	Ultimate Wind Speed, V (mph)	Rail Type	Roof Wind Pressure Zone 1							Roof Wind Pressure Zone 2								
			Roof Snow Load (psf)							Roof Snow Load (psf)								
			0	10	20	30	40	50	60	70	0	10	20	30	40	50	60	70
ROOFS 0° TO 7°	110	X80	305	465	616	724	828	919	1002	1079	254	387	566	724	828	919	1002	1079
		X48	207	316	420	522	623	716	781	842	172	263	385	522	623	716	781	842
		48-S	198	302	400	497	592	657	717	772	165	251	368	497	592	657	717	772
	115	X80	315	466	626	724	828	919	1002	1079	263	387	562	724	828	919	1002	1079
		X48	214	317	425	522	623	716	781	842	179	263	382	518	623	716	781	842
		48-S	204	302	406	497	592	657	717	772	170	251	364	494	592	657	717	772
	120	X80	325	465	635	724	828	919	1002	1079	270	388	557	724	828	919	1002	1079
		X48	220	317	432	522	623	716	781	842	184	264	379	502	623	716	781	842
		48-S	211	302	412	497	592	657	717	772	176	251	361	479	592	657	717	772
	130	X80	350	471	656	739	828	919	1002	1079	285	384	541	698	828	919	1002	1079
		X48	238	321	446	528	623	716	781	842	198	268	377	486	621	716	781	842
		48-S	226	306	425	504	592	657	717	772	189	255	359	463	592	657	717	772
	140	X80	372	477	660	767	828	919	1002	1079	274	352	486	620	765	919	1002	1079
		X48	253	325	449	541	623	716	781	842	211	271	375	478	590	716	781	842
		48-S	241	310	428	516	592	657	717	772	202	259	357	456	562	657	717	772
	150	X80	399	489	662	798	844	919	1002	1079	268	328	445	561	677	819	974	1079
		X48	272	333	451	557	631	716	781	842	227	278	377	476	574	694	781	842
		48-S	259	317	429	531	601	657	717	772	216	265	359	453	548	657	717	772
	160	X80	424	499	666	830	872	919	1002	1079	261	307	409	511	613	717	853	988
		X48	289	339	453	565	645	716	781	842	242	284	379	473	567	664	781	842
		48-S	275	324	432	539	615	657	717	772	230	271	361	450	541	633	717	772
	170	X80	435	494	648	802	903	943	1002	1079	256	290	380	470	560	650	754	874
		X48	307	349	457	565	660	729	781	842	256	290	380	471	561	651	754	842
		48-S	292	333	436	539	629	675	717	772	245	278	365	451	538	623	717	772
180	X80	428	470	607	743	879	973	1012	1079	252	277	357	437	517	597	677	777	
	X48	327	359	463	567	670	744	789	842	252	277	356	437	517	597	677	777	
	48-S	312	342	442	540	639	697	724	772	252	277	357	437	517	597	677	772	
200	X80	416	433	542	652	761	870	981	1089	246	255	320	385	449	514	579	643	
	X48	367	381	478	574	671	768	833	863	246	255	319	384	449	514	578	643	
	48-S	350	364	456	548	640	731	766	791	246	255	319	384	449	513	578	643	

Table 1.8: Maximum Shear (lb.) - Wind Exposure C Condition																		
Exposure C	Ultimate Wind Speed, V (mph)	Rail Type	Roof Wind Pressure Zone 1								Roof Wind Pressure Zone 2							
			Roof Snow Load (psf)								Roof Snow Load (psf)							
			0	10	20	30	40	50	60	70	0	10	20	30	40	50	60	70
ROOFS 0° TO 7°	110	X80	110	148	237	291	331	369	401	432	144	144	218	291	331	369	401	432
		X48	75	101	162	209	249	287	314	338	98	98	148	209	249	287	314	338
		48-S	72	96	155	199	237	264	287	310	92	92	143	199	237	264	287	310
	115	X80	116	143	236	291	331	369	401	432	151	151	213	291	331	369	401	432
		X48	79	97	160	209	249	287	314	338	103	103	144	207	249	287	314	338
		48-S	74	93	152	199	237	264	287	310	98	98	137	198	237	264	287	310
	120	X80	121	139	234	291	331	369	401	432	160	160	206	291	331	369	401	432
		X48	83	94	159	209	249	287	314	338	109	109	140	202	249	287	314	338
		48-S	78	90	152	199	237	264	287	310	104	104	133	191	237	264	287	310
	130	X80	130	131	230	291	331	369	401	432	175	175	190	274	331	369	401	432
		X48	89	89	156	207	249	287	314	338	122	122	132	191	249	287	314	338
		48-S	85	85	150	198	237	264	287	310	116	116	127	182	237	264	287	310
	140	X80	142	142	221	291	331	369	401	432	175	175	175	236	306	369	401	432
		X48	96	96	151	205	249	287	314	338	135	135	135	182	237	287	314	338
		48-S	92	92	144	195	237	264	287	310	129	129	129	172	225	264	287	310
	150	X80	152	152	210	291	331	369	401	432	175	175	175	203	266	329	390	432
		X48	104	104	144	202	248	287	314	338	148	148	148	172	225	279	314	338
		48-S	99	99	136	193	237	264	287	310	141	141	141	164	214	264	287	310
	160	X80	167	167	202	291	331	369	401	432	175	175	175	179	233	288	341	395
		X48	113	113	137	198	245	287	314	338	162	162	162	166	217	265	314	338
		48-S	108	108	131	187	233	264	287	310	154	154	154	158	206	253	287	310
	170	X80	175	175	187	269	331	369	401	432	175	175	175	175	205	254	301	350
		X48	123	123	132	190	241	284	314	338	175	175	175	175	205	254	302	338
		48-S	118	118	125	180	230	264	287	310	168	168	168	168	198	244	287	310
180	X80	175	175	175	239	311	369	401	432	175	175	175	175	183	226	268	311	
	X48	134	134	134	182	237	281	314	338	175	175	175	175	183	225	268	312	
	48-S	127	127	127	174	226	264	287	310	175	175	175	175	183	225	269	310	
200	X80	175	175	175	192	251	309	367	425	175	175	175	175	175	182	217	251	
	X48	154	154	154	170	221	272	312	338	175	175	175	175	175	183	217	251	
	48-S	147	147	147	162	210	260	287	310	175	175	175	175	175	182	218	251	

Table 1.9: Maximum Span Length - Wind Exposure D Condition																		
Exposure D	Ultimate Wind Speed, V (mph)	Rail Type	Roof Wind Pressure Zone 1								Roof Wind Pressure Zone 2							
			Roof Snow Load (psf)								Roof Snow Load (psf)							
			0	10	20	30	40	50	60	70	0	10	20	30	40	50	60	70
ROOFS 0° TO 7°	110	X80	98	98	92	79	70	63	57	53	81	81	81	79	70	63	57	53
		X48	66	66	63	57	52	49	45	42	55	55	55	55	52	49	45	42
		48-S	63	63	60	55	50	45	41	38	53	53	53	53	50	45	41	38
	115	X80	94	94	92	79	70	63	57	53	79	79	79	79	70	63	57	53
		X48	64	64	62	57	52	49	45	42	54	54	54	54	52	49	45	42
		48-S	61	61	59	55	50	45	41	38	51	51	51	51	50	45	41	38
	120	X80	92	92	91	79	70	63	57	53	74	74	74	74	70	63	57	53
		X48	62	62	62	57	52	49	45	42	52	52	52	52	52	49	45	42
		48-S	59	59	59	54	50	45	41	38	50	50	50	50	50	45	41	38
	130	X80	87	87	87	79	70	63	57	53	63	63	63	63	63	63	57	53
		X48	59	59	59	56	52	49	45	42	49	49	49	49	49	49	45	42
		48-S	56	56	56	53	50	45	41	38	47	47	47	47	47	45	41	38
	140	X80	82	82	82	79	70	63	57	53	54	54	54	54	54	54	54	53
		X48	56	56	56	55	52	49	45	42	47	47	47	47	47	47	45	42
		48-S	53	53	53	53	49	45	41	38	45	45	45	45	45	45	41	38
	150	X80	78	78	78	78	70	63	57	53	47	47	47	47	47	47	47	47
		X48	53	53	53	53	51	49	45	42	45	45	45	45	45	45	45	42
		48-S	51	51	51	51	49	45	41	38	43	43	43	43	43	43	41	38
	160	X80	70	70	70	70	70	63	57	53	41	41	41	41	41	41	41	41
		X48	51	51	51	51	51	48	45	42	41	41	41	41	41	41	41	41
		48-S	49	49	49	49	48	45	41	38	41	41	41	41	41	41	41	38
	170	X80	62	62	62	62	62	62	57	53	36	36	36	36	36	36	36	36
		X48	49	49	49	49	49	48	45	42	36	36	36	36	36	36	36	36
		48-S	47	47	47	47	47	45	41	38	36	36	36	36	36	36	36	36
180	X80	55	55	55	55	55	55	55	53	32	32	32	32	32	32	32	32	
	X48	47	47	47	47	47	47	45	42	32	32	32	32	32	32	32	32	
	48-S	45	45	45	45	45	44	41	38	32	32	32	32	32	32	32	32	
200	X80	44	44	44	44	44	44	44	44	26	26	26	26	26	26	26	26	
	X48	44	44	44	44	44	44	44	41	26	26	26	26	26	26	26	26	
	48-S	42	42	42	42	42	42	42	41	26	26	26	26	26	26	26	26	

Table 1.10: Maximum Uplift (lb.) - Wind Exposure D Condition																		
Exposure D	Ultimate Wind Speed, V (mph)	Rail Type	Roof Wind Pressure Zone 1								Roof Wind Pressure Zone 2							
			Roof Snow Load (psf)								Roof Snow Load (psf)							
			0	10	20	30	40	50	60	70	0	10	20	30	40	50	60	70
ROOFS 0° TO 7°	110	X80	570	570	541	465	407	367	336	312	822	822	822	803	704	633	580	539
		X48	388	388	368	335	306	285	262	244	559	559	559	559	529	494	452	421
		48-S	370	370	350	319	292	262	241	223	533	533	533	533	503	453	416	386
	115	X80	607	607	590	511	448	402	370	343	873	873	873	873	772	695	637	592
		X48	413	413	401	368	337	314	288	268	594	594	594	594	581	541	497	462
		48-S	394	394	383	350	320	288	265	245	567	567	567	567	552	498	456	423
	120	X80	645	645	639	559	490	441	404	375	900	900	900	900	844	760	697	647
		X48	439	439	436	400	368	344	315	293	631	631	631	631	631	593	544	505
		48-S	418	418	415	382	350	315	289	269	602	602	602	602	602	544	499	463
	130	X80	722	722	722	663	581	522	479	445	900	900	900	900	900	896	822	762
		X48	492	492	492	467	436	407	374	348	704	704	704	704	704	699	641	596
		48-S	469	469	469	445	416	374	343	318	672	672	672	672	672	641	588	546
	140	X80	802	802	802	776	679	612	561	521	900	900	900	900	900	900	900	890
		X48	546	546	546	539	507	476	437	406	781	781	781	781	781	781	747	694
		48-S	521	521	521	514	483	437	402	372	744	744	744	744	744	744	686	637
	150	X80	883	883	883	883	783	706	647	601	900	900	900	900	900	900	900	900
		X48	601	601	601	601	577	549	505	469	857	857	857	857	857	857	857	799
		48-S	573	573	573	573	551	505	463	430	817	817	817	817	817	817	789	733
	160	X80	900	900	900	900	897	807	740	687	900	900	900	900	900	900	900	900
		X48	657	657	657	657	652	621	578	537	900	900	900	900	900	900	900	900
		48-S	626	626	626	626	622	578	530	492	893	893	893	893	893	893	893	837
	170	X80	900	900	900	900	900	900	838	779	900	900	900	900	900	900	900	900
		X48	714	714	714	714	714	695	654	608	900	900	900	900	900	900	900	900
		48-S	680	680	680	680	680	654	600	557	900	900	900	900	900	900	900	900
180	X80	900	900	900	900	900	900	900	876	900	900	900	900	900	900	900	900	
	X48	772	772	772	772	772	772	736	683	900	900	900	900	900	900	900	900	
	48-S	736	736	736	736	736	728	675	627	900	900	900	900	900	900	900	900	
200	X80	900	900	900	900	900	900	900	900	900	900	900	900	900	900	900	900	
	X48	892	892	892	892	892	892	891	844	900	900	900	900	900	900	900	900	
	48-S	851	851	851	851	851	851	826	778	900	900	900	900	900	900	900	900	

Table 1.11: Maximum Downforce (lb.) - Wind Exposure D Condition																		
Exposure D	Ultimate Wind Speed, V (mph)	Rail Type	Roof Wind Pressure Zone 1							Roof Wind Pressure Zone 2								
			Roof Snow Load (psf)							Roof Snow Load (psf)								
			0	10	20	30	40	50	60	70	0	10	20	30	40	50	60	70
ROOFS 0° TO 7°	110	X80	326	467	635	724	828	919	1002	1079	272	389	558	724	828	919	1002	1079
		X48	222	318	432	522	623	716	781	842	185	265	380	503	623	716	781	842
		48-S	212	302	412	497	592	657	717	772	177	252	362	480	592	657	717	772
	115	X80	338	469	646	726	828	919	1002	1079	282	390	556	720	828	919	1002	1079
		X48	230	318	439	522	623	716	781	842	192	266	377	489	623	716	781	842
		48-S	220	304	419	498	592	657	717	772	183	254	360	467	592	657	717	772
	120	X80	349	470	657	740	828	919	1002	1079	282	381	535	690	828	919	1002	1079
		X48	238	320	446	529	623	716	781	842	198	268	376	484	618	716	781	842
		48-S	226	305	425	504	592	657	717	772	189	255	358	462	590	657	717	772
	130	X80	378	481	661	772	828	919	1002	1079	274	349	480	611	749	919	1002	1079
		X48	256	327	450	545	623	716	781	842	215	273	375	478	585	716	781	842
		48-S	245	312	429	519	592	657	717	772	205	261	359	457	558	657	717	772
	140	X80	403	490	661	806	850	919	1002	1079	265	321	434	547	659	792	941	1079
		X48	275	334	450	560	634	716	781	842	230	279	376	474	572	686	781	842
		48-S	262	318	429	534	605	657	717	772	219	266	359	452	545	654	717	772
	150	X80	435	505	668	831	883	926	1002	1079	260	302	400	497	595	693	818	949
		X48	296	343	454	565	650	720	781	842	247	287	381	474	566	660	779	842
		48-S	282	327	433	539	620	662	717	772	236	273	363	452	540	629	717	772
	160	X80	431	483	628	775	917	956	1002	1079	254	284	369	455	541	627	716	831
		X48	315	353	459	565	667	736	781	842	253	284	370	455	540	627	716	830
		48-S	300	336	437	539	636	684	717	772	252	281	367	451	536	622	710	772
	170	X80	424	459	588	716	844	973	1026	1079	250	270	346	421	497	573	649	735
		X48	337	364	466	568	670	752	800	842	250	270	346	422	497	573	649	735
		48-S	321	347	444	541	639	707	734	772	250	270	345	421	497	573	649	734
180	X80	419	438	553	667	782	896	1010	1095	247	259	326	393	460	528	595	663	
	X48	358	376	474	572	671	769	826	854	246	258	326	394	460	528	596	663	
	48-S	342	358	452	546	640	725	758	783	246	259	326	393	461	528	595	663	
200	X80	408	408	499	591	683	775	867	960	242	242	295	350	404	458	513	567	
	X48	405	405	495	585	677	769	858	899	242	242	295	350	403	458	513	567	
	48-S	386	386	471	558	646	732	796	830	241	241	295	349	404	458	513	567	

Table 1.12: Maximum Shear (lb.) - Wind Exposure D Condition																		
Exposure D	Ultimate Wind Speed, V (mph)	Rail Type	Roof Wind Pressure Zone 1								Roof Wind Pressure Zone 2							
			Roof Snow Load (psf)								Roof Snow Load (psf)							
			0	10	20	30	40	50	60	70	0	10	20	30	40	50	60	70
ROOFS 0° TO 7°	110	X80	119	139	234	291	331	369	401	432	160	160	206	291	331	369	401	432
		X48	83	94	159	209	249	287	314	338	109	109	140	202	249	287	314	338
		48-S	78	90	152	199	237	264	287	310	104	104	133	193	237	264	287	310
	115	X80	126	135	233	291	331	369	401	432	170	170	199	287	331	369	401	432
		X48	86	92	159	209	249	287	314	338	115	115	136	195	249	287	314	338
		48-S	81	86	151	198	237	264	287	310	110	110	129	187	237	264	287	310
	120	X80	131	131	230	291	331	369	401	432	175	175	188	271	331	369	401	432
		X48	89	89	156	207	249	287	314	338	123	123	132	190	248	287	314	338
		48-S	85	85	149	198	237	264	287	310	117	117	125	182	237	264	287	310
	130	X80	142	142	221	291	331	369	401	432	175	175	175	230	299	369	401	432
		X48	96	96	149	205	249	287	314	338	137	137	137	179	234	287	314	338
		48-S	93	93	143	194	237	264	287	310	131	131	131	171	225	264	287	310
	140	X80	156	156	209	291	331	369	401	432	175	175	175	198	256	318	376	432
		X48	106	106	143	202	248	287	314	338	152	152	152	171	222	275	314	338
		48-S	101	101	136	191	236	264	287	310	145	145	145	163	213	261	287	310
	150	X80	172	172	198	287	331	369	401	432	175	175	175	175	223	276	327	380
		X48	117	117	136	194	244	287	314	338	167	167	167	167	213	263	311	338
		48-S	111	111	129	186	233	264	287	310	159	159	159	159	202	249	287	310
	160	X80	175	175	177	254	331	369	401	432	175	175	175	175	196	242	286	332
		X48	128	128	129	186	241	283	314	338	175	175	175	175	195	242	287	333
		48-S	122	122	124	178	230	264	287	310	174	174	174	174	194	240	284	310
	170	X80	175	175	175	226	293	363	401	432	175	175	175	175	175	213	253	294
		X48	139	139	139	179	233	280	314	338	175	175	175	175	175	213	254	295
		48-S	132	132	132	171	222	264	287	310	175	175	175	175	175	213	253	295
180	X80	175	175	175	200	261	323	383	432	175	175	175	175	175	190	226	262	
	X48	150	150	150	171	225	276	314	338	175	175	175	175	175	191	226	262	
	48-S	143	143	143	163	214	260	287	310	175	175	175	175	175	190	227	261	
200	X80	175	175	175	175	210	260	308	357	175	175	175	175	175	175	183	212	
	X48	173	173	173	173	209	257	306	335	175	175	175	175	175	175	182	211	
	48-S	165	165	165	165	198	245	283	310	175	175	175	175	175	175	182	212	

Table 1.13: Maximum Span Length (in.) - Wind Exposure B Condition																		
Exposure B	Ultimate Wind Speed, V (mph)	Rail Type	Roof Wind Pressure Zone 1								Roof Wind Pressure Zone 2							
			Roof Snow Load (psf)								Roof Snow Load (psf)							
			0	10	20	30	40	50	60	70	0	10	20	30	40	50	60	70
ROOFS >7° TO 27°	110	X80	121	110	68	47	36	29	25	21	99	99	68	47	36	29	25	21
		X48	82	75	66	47	36	29	25	21	67	67	66	47	36	29	25	21
		48-S	78	72	63	48	36	29	25	21	64	64	63	48	36	29	25	21
	115	X80	117	109	68	47	36	29	25	21	96	96	68	47	36	29	25	21
		X48	79	74	66	47	36	29	25	21	65	65	65	47	36	29	25	21
		48-S	76	71	63	48	36	29	25	21	62	62	62	48	36	29	25	21
	120	X80	113	108	68	47	36	29	25	21	93	93	68	47	36	29	25	21
		X48	77	73	65	47	36	29	25	21	63	63	63	47	36	29	25	21
		48-S	73	70	62	48	36	29	25	21	60	60	60	48	36	29	25	21
	130	X80	107	105	68	47	36	29	25	21	88	88	68	47	36	29	25	21
		X48	73	71	64	47	36	29	25	21	60	60	60	47	36	29	25	21
		48-S	69	68	61	48	36	29	25	21	57	57	57	48	36	29	25	21
	140	X80	101	101	68	47	36	29	25	21	83	83	68	47	36	29	25	21
		X48	69	69	63	47	36	29	25	21	57	57	57	48	36	29	25	21
		48-S	66	66	60	48	36	29	25	21	54	54	54	48	36	29	25	21
	150	X80	96	96	68	47	36	29	25	21	79	79	68	47	36	29	25	21
		X48	66	66	63	47	36	29	25	21	54	54	54	47	36	29	25	21
		48-S	63	63	60	48	36	29	25	21	51	51	51	48	36	29	25	21
	160	X80	92	92	68	47	36	29	25	21	72	72	68	47	36	29	25	21
		X48	63	63	61	48	36	29	25	21	52	52	52	48	36	29	25	21
		48-S	60	60	58	47	36	29	25	21	49	49	49	47	36	29	25	21
	170	X80	88	88	68	47	36	29	25	21	64	64	64	47	36	29	25	21
		X48	60	60	60	47	36	29	25	21	50	50	50	48	36	29	25	21
		48-S	57	57	57	47	36	29	25	21	47	47	47	47	36	29	25	21
180	X80	85	85	68	47	36	29	25	21	57	57	57	47	36	29	25	21	
	X48	58	58	58	48	36	29	25	21	48	48	48	47	36	29	25	21	
	48-S	55	55	55	47	36	29	25	21	45	45	45	45	36	29	25	21	
200	X80	79	79	68	48	36	29	25	21	46	46	46	46	36	29	25	21	
	X48	54	54	54	47	36	29	25	21	44	44	44	44	36	30	25	21	
	48-S	51	51	51	47	36	29	25	21	42	42	42	42	36	29	25	21	

Table 1.14: Maximum Uplift (lb.) - Wind Exposure B Condition																		
Exposure B	Ultimate Wind Speed, V (mph)	Rail Type	Roof Wind Pressure Zone 1								Roof Wind Pressure Zone 2							
			Roof Snow Load (psf)								Roof Snow Load (psf)							
			0	10	20	30	40	50	60	70	0	10	20	30	40	50	60	70
ROOFS >7° TO 27°	110	X80	372	340	210	146	112	91	76	66	558	558	386	269	206	167	140	121
		X48	253	231	204	146	112	91	76	66	379	379	376	269	206	167	140	121
		48-S	242	220	196	147	112	91	76	66	362	362	359	269	206	167	140	121
	115	X80	398	371	233	162	124	101	85	73	595	595	424	295	226	184	154	133
		X48	271	252	225	162	124	100	85	73	404	404	404	295	226	183	154	133
		48-S	258	241	214	163	124	101	85	73	386	386	386	296	226	184	154	133
	120	X80	424	402	256	178	136	111	93	80	631	631	465	323	248	201	169	146
		X48	288	274	244	178	136	111	93	80	430	430	430	323	248	201	169	146
		48-S	275	261	233	178	137	110	93	80	409	409	409	324	248	201	169	146
	130	X80	476	468	304	211	163	131	111	96	705	705	550	382	293	238	200	172
		X48	323	318	286	211	162	131	111	95	480	480	480	382	293	237	199	172
		48-S	308	303	273	212	162	131	110	95	458	458	458	383	293	238	200	173
	140	X80	530	530	358	249	191	155	130	112	783	783	642	447	343	278	233	201
		X48	361	361	331	248	191	155	130	112	533	533	533	447	343	277	233	201
		48-S	344	344	315	250	191	155	130	112	508	508	508	448	342	277	233	201
	150	X80	584	584	414	288	221	179	150	130	862	862	744	515	395	320	270	233
		X48	398	398	379	287	221	179	150	130	586	586	586	516	395	320	269	232
		48-S	379	379	362	288	220	179	150	130	559	559	559	517	396	320	269	232
	160	X80	640	640	475	330	253	205	173	149	900	900	850	588	452	366	308	266
		X48	435	435	422	331	253	205	172	149	641	641	641	590	452	366	307	265
		48-S	416	416	403	330	253	205	172	149	611	611	611	589	452	365	308	265
	170	X80	698	698	541	375	288	234	196	169	900	900	900	666	512	414	349	301
		X48	475	475	471	376	287	233	196	169	696	696	696	668	510	414	348	300
		48-S	452	452	449	375	288	233	196	169	663	663	663	663	512	414	348	300
180	X80	755	755	609	422	324	262	221	190	900	900	900	750	576	466	393	338	
	X48	514	514	514	424	324	262	220	190	753	753	753	751	576	466	392	338	
	48-S	490	490	490	422	324	263	221	191	718	718	718	718	576	466	392	339	
200	X80	874	874	759	528	404	327	275	237	900	900	900	900	714	578	486	419	
	X48	595	595	595	527	405	327	275	238	869	869	869	869	713	579	485	419	
	48-S	568	568	568	526	404	327	275	238	828	828	828	828	712	577	486	419	

Table 1.15: Maximum Downforce (lb.) - Wind Exposure B Condition																		
Exposure B	Ultimate Wind Speed, V (mph)	Rail Type	Roof Wind Pressure Zone 1								Roof Wind Pressure Zone 2							
			Roof Snow Load (psf)								Roof Snow Load (psf)							
			0	10	20	30	40	50	60	70	0	10	20	30	40	50	60	70
ROOFS >7° TO 27°	110	X80	342	450	413	408	408	408	408	408	279	403	413	408	408	408	408	408
		X48	232	306	402	407	408	408	408	407	190	274	402	407	408	408	408	407
		48-S	222	292	384	408	408	407	408	408	181	261	384	408	408	407	408	408
	115	X80	355	460	422	408	408	408	408	408	290	403	422	408	408	408	408	408
		X48	241	312	407	407	408	408	408	407	198	274	402	407	408	408	408	407
		48-S	230	297	389	408	408	407	408	408	189	261	384	408	408	407	408	408
	120	X80	368	470	431	408	408	408	408	408	301	404	431	408	408	408	408	408
		X48	250	320	412	407	408	408	408	407	205	275	398	407	408	408	408	407
		48-S	238	304	394	408	408	407	408	408	195	262	380	408	408	407	408	408
	130	X80	395	493	451	408	408	408	408	408	324	413	451	408	408	408	408	408
		X48	269	335	424	408	408	408	408	407	221	281	394	408	408	408	408	407
		48-S	256	320	404	408	408	407	408	408	211	268	376	408	408	407	408	408
	140	X80	424	513	472	422	408	408	408	408	349	422	472	422	408	408	408	408
		X48	288	349	436	421	408	408	408	407	238	287	392	422	408	408	408	407
		48-S	275	333	416	423	408	407	408	408	226	274	373	423	408	407	408	408
	150	X80	421	502	480	426	408	408	408	408	347	412	481	426	408	408	408	408
		X48	287	340	440	426	408	408	408	407	236	281	380	427	408	408	408	407
		48-S	273	325	420	428	408	407	408	408	224	268	362	428	408	407	408	408
	160	X80	485	542	522	454	421	408	408	408	382	426	523	454	421	408	408	408
		X48	330	368	464	455	420	408	408	407	273	304	395	455	420	408	408	407
		48-S	315	351	442	455	420	407	408	408	260	290	376	454	420	407	408	408
	170	X80	519	559	555	473	434	410	408	408	377	407	519	473	434	410	408	408
		X48	353	380	482	473	434	409	408	407	291	313	402	474	434	409	408	407
		48-S	337	363	460	473	435	409	408	408	277	299	382	470	435	409	408	408
180	X80	551	577	586	492	449	422	408	408	370	388	488	492	449	422	408	408	
	X48	376	393	494	493	449	421	408	407	310	324	408	492	449	421	408	407	
	48-S	358	374	472	492	448	422	408	408	296	309	389	471	449	422	408	408	
200	X80	621	621	656	540	481	448	426	409	362	362	441	522	481	448	426	409	
	X48	423	423	515	540	482	447	425	408	350	350	426	504	481	448	425	408	
	48-S	403	403	491	540	480	447	425	409	333	333	406	481	480	447	425	409	

Table 1.16: Maximum Shear (lb.) - Wind Exposure B Condition																		
Exposure B	Ultimate Wind Speed, V (mph)	Rail Type	Roof Wind Pressure Zone 1								Roof Wind Pressure Zone 2							
			Roof Snow Load (psf)								Roof Snow Load (psf)							
			0	10	20	30	40	50	60	70	0	10	20	30	40	50	60	70
ROOFS >7° TO 27°	110	X80	126	390	432	432	432	432	432	432	144	350	432	432	432	432	432	432
		X48	85	266	419	432	432	432	432	432	98	237	419	432	432	432	432	432
		48-S	81	254	400	432	432	432	432	432	94	227	400	432	432	432	432	432
	115	X80	127	385	432	432	432	432	432	432	148	338	432	432	432	432	432	432
		X48	87	263	417	432	432	432	432	432	101	230	412	432	432	432	432	432
		48-S	82	249	397	432	432	432	432	432	97	220	393	432	432	432	432	432
	120	X80	130	381	432	432	432	432	432	432	153	328	432	432	432	432	432	432
		X48	88	259	412	432	432	432	432	432	104	223	398	432	432	432	432	432
		48-S	85	247	393	432	432	432	432	432	100	213	381	432	432	432	432	432
	130	X80	136	371	432	432	432	432	432	432	163	311	432	432	432	432	432	432
		X48	91	254	405	432	432	432	432	432	111	211	376	432	432	432	432	432
		48-S	88	242	386	432	432	432	432	432	105	201	359	432	432	432	432	432
	140	X80	141	359	432	432	432	432	432	432	174	295	432	432	432	432	432	432
		X48	96	244	397	432	432	432	432	432	118	201	357	432	432	432	432	432
		48-S	91	232	381	432	432	432	432	432	113	191	340	432	432	432	432	432
	150	X80	148	342	432	432	432	432	432	432	185	280	432	432	432	432	432	432
		X48	101	232	395	432	432	432	432	432	126	191	340	432	432	432	432	432
		48-S	96	220	378	432	432	432	432	432	119	182	325	432	432	432	432	432
	160	X80	154	326	432	432	432	432	432	432	188	256	432	432	432	432	432	432
		X48	105	223	383	432	432	432	432	432	133	182	326	432	432	432	432	432
		48-S	99	211	366	432	432	432	432	432	127	175	311	432	432	432	432	432
	170	X80	162	313	432	432	432	432	432	432	182	227	405	432	432	432	432	432
		X48	110	213	376	432	432	432	432	432	141	175	313	432	432	432	432	432
		48-S	106	203	359	432	432	432	432	432	135	168	299	429	432	432	432	432
180	X80	169	299	432	432	432	432	432	432	179	202	360	432	432	432	432	432	
	X48	116	204	364	432	432	432	432	432	150	168	302	432	432	432	432	432	
	48-S	111	194	347	432	432	432	432	432	142	160	287	412	432	432	432	432	
200	X80	186	280	432	432	432	432	432	432	175	175	290	418	432	432	432	432	
	X48	126	189	338	432	432	432	432	432	169	169	280	402	432	432	432	432	
	48-S	122	182	323	432	432	432	432	432	161	161	268	385	432	432	432	432	

Table 1.17: Maximum Span Length (in.) - Wind Exposure C Condition																		
Exposure C	Ultimate Wind Speed, V (mph)	Rail Type	Roof Wind Pressure Zone 1								Roof Wind Pressure Zone 2							
			Roof Snow Load (psf)								Roof Snow Load (psf)							
			0	10	20	30	40	50	60	70	0	10	20	30	40	50	60	70
ROOFS >7° TO 27°	110	X80	107	105	68	47	36	29	25	21	88	88	68	47	36	29	25	21
		X48	73	71	64	47	36	29	25	21	60	60	60	47	36	29	25	21
		48-S	69	68	61	48	36	29	25	21	57	57	57	48	36	29	25	21
	115	X80	103	103	68	47	36	29	25	21	85	85	68	47	36	29	25	21
		X48	70	70	63	47	36	29	25	21	58	58	58	48	36	29	25	21
		48-S	67	67	60	48	36	29	25	21	55	55	55	48	36	29	25	21
	120	X80	100	100	68	47	36	29	25	21	82	82	69	47	36	29	25	21
		X48	68	68	63	48	36	29	25	21	56	56	56	47	36	29	25	21
		48-S	65	65	60	48	36	29	25	21	53	53	53	48	36	29	25	21
	130	X80	95	95	68	47	36	29	25	21	78	78	68	47	36	29	25	21
		X48	64	64	61	48	36	29	25	21	53	53	53	47	36	29	25	21
		48-S	61	61	59	48	36	29	25	21	51	51	51	48	36	29	25	21
	140	X80	90	90	68	47	36	29	25	21	68	68	68	47	36	29	25	21
		X48	61	61	60	48	36	29	25	21	50	50	50	48	36	29	25	21
		48-S	58	58	57	48	36	29	25	21	48	48	48	47	36	29	25	21
	150	X80	86	86	68	47	36	29	25	21	59	59	59	47	36	29	25	21
		X48	58	58	58	47	36	29	25	21	48	48	48	47	36	29	25	21
		48-S	56	56	56	48	36	29	25	21	46	46	46	46	36	29	25	21
	160	X80	82	82	68	48	36	29	25	21	51	51	51	47	36	29	25	21
		X48	56	56	56	48	36	29	25	21	46	46	46	46	36	30	25	21
		48-S	53	53	53	47	36	29	25	21	44	44	44	44	36	29	25	21
	170	X80	78	78	68	47	36	29	25	21	45	45	45	45	36	29	25	21
		X48	53	53	53	47	36	29	25	21	44	44	44	44	36	30	25	21
		48-S	51	51	51	48	36	30	25	21	42	42	42	42	36	30	25	21
180	X80	71	71	68	47	36	29	25	21	40	40	40	40	36	29	25	21	
	X48	51	51	51	48	36	29	25	21	40	40	40	40	36	29	25	21	
	48-S	49	49	49	47	36	29	25	21	40	40	40	40	36	29	25	21	
200	X80	57	57	57	47	36	29	25	21	33	33	33	33	33	29	25	21	
	X48	48	48	48	48	36	29	25	21	33	33	33	33	33	29	25	21	
	48-S	46	46	46	46	36	30	25	21	33	33	33	33	33	29	25	21	

Table 1.18: Maximum Uplift (lb.) - Wind Exposure C Condition																		
Exposure C	Ultimate Wind Speed, V (mph)	Rail Type	Roof Wind Pressure Zone 1								Roof Wind Pressure Zone 2							
			Roof Snow Load (psf)								Roof Snow Load (psf)							
			0	10	20	30	40	50	60	70	0	10	20	30	40	50	60	70
ROOFS >7° TO 27°	110	X80	477	469	305	212	163	132	111	96	708	708	552	383	294	238	200	173
		X48	325	319	286	212	163	131	111	96	481	481	481	384	294	238	200	173
		48-S	309	304	273	213	163	132	111	96	459	459	459	384	294	238	200	173
	115	X80	509	509	337	234	180	145	122	105	753	753	605	421	323	261	220	190
		X48	346	346	313	234	179	145	122	105	512	512	512	421	322	261	220	190
		48-S	331	331	298	235	180	145	122	106	488	488	488	422	323	261	220	189
	120	X80	541	541	369	256	197	159	134	115	799	799	664	460	353	286	240	207
		X48	368	368	339	256	196	159	133	115	544	544	544	461	353	286	240	207
		48-S	351	351	323	256	197	159	134	115	518	518	518	462	353	286	240	208
	130	X80	605	605	437	303	233	189	159	137	892	892	781	542	416	337	283	245
		X48	412	412	393	304	233	188	158	137	606	606	606	542	416	336	283	244
		48-S	393	393	375	305	233	189	158	137	578	578	578	543	416	337	283	245
	140	X80	673	673	512	355	273	221	186	160	900	900	900	633	486	393	331	285
		X48	458	458	450	356	273	221	186	160	672	672	672	634	485	393	330	285
		48-S	436	436	430	357	273	221	186	160	641	641	641	632	485	393	330	286
	150	X80	740	740	591	410	315	255	215	185	900	900	900	729	560	453	381	329
		X48	503	503	503	411	315	255	214	185	739	739	739	729	560	452	380	329
		48-S	480	480	480	411	314	255	214	185	704	704	704	704	560	453	380	329
	160	X80	810	810	676	469	361	292	246	212	900	900	900	833	639	517	435	375
		X48	550	550	550	471	359	292	245	212	807	807	807	807	638	518	434	375
		48-S	525	525	525	470	360	292	245	212	769	769	769	769	637	517	434	375
	170	X80	881	881	767	533	409	331	279	240	900	900	900	900	722	585	492	424
		X48	600	600	600	532	409	331	278	240	876	876	876	876	721	585	491	424
		48-S	572	572	572	534	409	332	279	241	835	835	835	835	721	585	492	424
180	X80	900	900	862	599	459	372	313	270	900	900	900	900	811	657	553	477	
	X48	648	648	648	600	459	372	314	270	900	900	900	900	810	657	553	477	
	48-S	618	618	618	599	459	372	313	270	900	900	900	900	810	657	552	477	
200	X80	900	900	900	745	571	463	390	336	900	900	900	900	900	814	685	591	
	X48	750	750	750	747	571	463	390	336	900	900	900	900	900	814	684	590	
	48-S	715	715	715	715	572	464	390	336	900	900	900	900	900	813	685	591	

Table 1.19: Maximum Downforce (lb.) - Wind Exposure C Condition																		
Exposure C	Ultimate Wind Speed, V (mph)	Rail Type	Roof Wind Pressure Zone 1								Roof Wind Pressure Zone 2							
			Roof Snow Load (psf)								Roof Snow Load (psf)							
			0	10	20	30	40	50	60	70	0	10	20	30	40	50	60	70
ROOFS >7° TO 27°	110	X80	395	493	451	408	408	408	408	408	324	412	451	408	408	408	408	408
		X48	269	335	424	408	408	408	408	407	220	280	393	408	408	408	408	407
		48-S	256	320	404	408	408	407	408	408	211	267	375	408	408	407	408	408
	115	X80	413	508	463	416	408	408	408	408	339	418	463	416	408	408	408	408
		X48	281	345	431	416	408	408	408	407	231	285	392	417	408	408	408	407
		48-S	268	329	411	416	408	407	408	408	221	272	374	416	408	407	408	408
	120	X80	429	515	476	425	408	408	408	408	353	424	478	425	408	408	408	408
		X48	293	350	438	425	408	408	408	407	240	289	391	425	408	408	408	407
		48-S	279	334	418	426	408	407	408	408	229	275	373	426	408	407	408	408
	130	X80	466	532	505	443	412	408	408	408	384	439	505	443	412	408	408	408
		X48	317	361	453	445	412	408	408	407	262	298	392	444	412	408	408	407
		48-S	302	345	432	446	412	407	408	408	249	284	374	445	412	407	408	408
	140	X80	503	550	540	465	428	408	408	408	378	414	533	465	428	408	408	408
		X48	342	374	474	466	428	408	408	407	283	309	398	466	428	408	408	407
		48-S	326	357	452	466	428	407	408	408	270	295	380	464	428	407	408	408
	150	X80	501	541	553	472	434	409	408	408	343	370	474	472	434	409	408	408
		X48	341	368	471	472	434	408	408	407	282	303	388	472	434	408	408	407
		48-S	325	350	449	472	434	409	408	408	268	290	370	456	434	409	408	408
	160	X80	583	595	617	512	464	433	413	408	366	373	464	513	464	433	413	408
		X48	396	404	503	514	463	432	413	407	327	334	415	497	464	434	413	407
		48-S	378	386	479	513	463	433	413	408	312	319	396	474	463	433	413	408
	170	X80	362	362	439	519	483	449	427	410	362	362	439	519	483	449	427	410
		X48	352	352	427	505	482	450	426	410	352	352	427	505	482	450	426	410
		48-S	336	336	407	482	482	450	426	410	336	336	407	482	482	450	426	410
180	X80	357	357	417	488	505	466	441	422	357	357	417	488	505	466	441	422	
	X48	357	357	417	488	503	466	440	422	357	357	417	488	503	466	440	422	
	48-S	358	358	417	488	504	465	440	422	358	358	417	488	504	465	440	422	
200	X80	352	352	384	442	499	504	471	449	352	352	384	442	499	504	471	449	
	X48	351	351	384	442	500	503	471	448	351	351	384	442	500	503	471	448	
	48-S	352	352	384	441	500	503	472	448	352	352	384	441	500	503	472	448	

Table 1.20: Maximum Shear (lb.) - Wind Exposure C Condition																		
Exposure C	Ultimate Wind Speed, V (mph)	Rail Type	Roof Wind Pressure Zone 1								Roof Wind Pressure Zone 2							
			Roof Snow Load (psf)								Roof Snow Load (psf)							
			0	10	20	30	40	50	60	70	0	10	20	30	40	50	60	70
ROOFS >7° TO 27°	110	X80	135	371	432	432	432	432	432	432	162	311	432	432	432	432	432	432
		X48	91	254	405	432	432	432	432	432	110	211	376	432	432	432	432	432
		48-S	88	242	386	432	432	432	432	432	107	201	359	432	432	432	432	432
	115	X80	139	366	432	432	432	432	432	432	170	301	432	432	432	432	432	432
		X48	95	249	400	432	432	432	432	432	115	204	364	432	432	432	432	432
		48-S	90	237	383	432	432	432	432	432	109	194	347	432	432	432	432	432
	120	X80	143	354	432	432	432	432	432	432	175	292	432	432	432	432	432	432
		X48	97	242	397	432	432	432	432	432	120	199	354	432	432	432	432	432
		48-S	92	230	378	432	432	432	432	432	113	189	338	432	432	432	432	432
	130	X80	150	335	432	432	432	432	432	432	189	276	432	432	432	432	432	432
		X48	102	228	388	432	432	432	432	432	128	189	335	432	432	432	432	432
		48-S	98	218	369	432	432	432	432	432	122	180	321	432	432	432	432	432
	140	X80	159	318	432	432	432	432	432	432	184	240	428	432	432	432	432	432
		X48	107	216	379	432	432	432	432	432	137	179	318	432	432	432	432	432
		48-S	103	206	362	432	432	432	432	432	131	170	304	432	432	432	432	432
	150	X80	168	304	432	432	432	432	432	432	180	208	371	432	432	432	432	432
		X48	114	206	369	432	432	432	432	432	148	170	304	432	432	432	432	432
		48-S	109	196	352	432	432	432	432	432	141	163	290	417	432	432	432	432
	160	X80	177	290	432	432	432	432	432	432	176	182	325	432	432	432	432	432
		X48	121	197	352	432	432	432	432	432	157	163	290	419	432	432	432	432
		48-S	114	189	335	432	432	432	432	432	151	156	278	400	432	432	432	432
	170	X80	175	175	286	413	432	432	432	432	175	175	286	413	432	432	432	432
		X48	170	170	280	402	432	432	432	432	170	170	280	402	432	432	432	432
		48-S	162	162	266	383	432	432	432	432	162	162	266	383	432	432	432	432
180	X80	175	175	255	367	432	432	432	432	175	175	255	367	432	432	432	432	
	X48	175	175	255	367	432	432	432	432	175	175	255	367	432	432	432	432	
	48-S	175	175	255	368	432	432	432	432	175	175	255	368	432	432	432	432	
200	X80	175	175	206	297	387	432	432	432	175	175	206	297	387	432	432	432	
	X48	175	175	206	296	387	432	432	432	175	175	206	296	387	432	432	432	
	48-S	175	175	207	296	387	432	432	432	175	175	207	296	387	432	432	432	

Table 1.21: Maximum Span Length (in.) - Wind Exposure D Condition																		
Exposure D	Ultimate Wind Speed, V (mph)	Rail Type	Roof Wind Pressure Zone 1								Roof Wind Pressure Zone 2							
			Roof Snow Load (psf)								Roof Snow Load (psf)							
			0	10	20	30	40	50	60	70	0	10	20	30	40	50	60	70
ROOFS >7° TO 27°	110	X80	100	100	68	47	36	29	25	21	83	83	68	47	36	29	25	21
		X48	68	68	63	48	36	29	25	21	56	56	56	48	36	29	25	21
		48-S	65	65	60	48	36	29	25	21	54	54	54	48	36	29	25	21
	115	X80	97	97	68	47	36	29	25	21	80	80	68	47	36	29	25	21
		X48	66	66	62	47	36	29	25	21	54	54	54	47	36	29	25	21
		48-S	63	63	59	48	36	29	25	21	52	52	52	48	36	29	25	21
	120	X80	94	94	68	47	36	29	25	21	78	78	68	47	36	29	25	21
		X48	64	64	61	47	36	29	25	21	53	53	53	47	36	29	25	21
		48-S	61	61	58	48	36	29	25	21	50	50	50	48	36	29	25	21
	130	X80	89	89	68	47	36	29	25	21	66	66	66	47	36	29	25	21
		X48	61	61	60	47	36	29	25	21	50	50	50	48	36	29	25	21
		48-S	58	58	57	47	36	29	25	21	48	48	48	48	36	29	25	21
	140	X80	85	85	68	47	36	29	25	21	57	57	57	47	36	29	25	21
		X48	58	58	58	48	36	29	25	21	48	48	48	47	36	29	25	21
		48-S	55	55	55	47	36	29	25	21	45	45	45	45	36	29	25	21
	150	X80	81	81	68	47	36	29	25	21	49	49	49	48	36	29	25	21
		X48	55	55	55	47	36	29	25	21	45	45	45	45	36	29	25	21
		48-S	52	52	52	48	36	29	25	21	43	43	43	43	36	29	25	21
	160	X80	76	76	68	48	36	29	25	21	43	43	43	43	36	29	25	21
		X48	53	53	53	48	36	30	25	21	43	43	43	43	36	29	25	21
		48-S	50	50	50	47	36	29	25	21	41	41	41	41	36	30	25	21
	170	X80	67	67	67	47	36	29	25	21	38	38	38	38	36	29	25	21
		X48	50	50	50	48	36	30	25	21	38	38	38	38	36	29	25	21
		48-S	48	48	48	47	36	29	25	21	38	38	38	38	36	30	25	21
180	X80	60	60	60	48	36	29	25	21	34	34	34	34	34	29	25	21	
	X48	48	48	48	47	36	29	25	21	34	34	34	34	34	30	25	21	
	48-S	46	46	46	46	36	29	25	21	34	34	34	34	34	29	25	21	
200	X80	48	48	48	48	36	29	25	21	27	27	27	27	27	27	25	21	
	X48	45	45	45	45	36	29	25	21	27	27	27	27	27	27	25	21	
	48-S	43	43	43	43	36	29	25	21	27	27	27	27	27	27	25	21	

Table 1.22: Maximum Uplift (lb.) - Wind Exposure D Condition																		
Exposure D	Ultimate Wind Speed, V (mph)	Rail Type	Roof Wind Pressure Zone 1								Roof Wind Pressure Zone 2							
			Roof Snow Load (psf)								Roof Snow Load (psf)							
			0	10	20	30	40	50	60	70	0	10	20	30	40	50	60	70
ROOFS >7° TO 27°	110	X80	539	539	367	255	195	158	133	115	797	797	660	458	352	285	240	207
		X48	367	367	337	256	195	159	133	115	542	542	542	459	351	284	239	206
		48-S	349	349	322	255	196	158	133	115	517	517	517	460	352	285	239	207
	115	X80	575	575	404	281	215	174	147	127	848	848	725	502	386	312	263	227
		X48	391	391	367	281	216	174	147	127	576	576	576	502	385	311	262	226
		48-S	373	373	350	282	215	174	147	126	549	549	549	503	386	312	262	226
	120	X80	610	610	443	307	235	191	161	139	899	899	791	549	421	341	287	248
		X48	415	415	396	307	235	190	160	138	612	612	612	549	421	340	287	247
		48-S	396	396	378	308	236	190	161	139	582	582	582	550	421	341	287	248
	130	X80	683	683	524	363	279	226	190	164	900	900	900	647	496	402	338	292
		X48	464	464	458	363	278	226	190	164	682	682	682	647	496	401	338	291
		48-S	443	443	437	364	279	225	190	164	650	650	650	648	496	401	338	291
	140	X80	758	758	612	425	326	264	222	192	900	900	900	753	579	468	394	340
		X48	516	516	516	427	326	264	222	191	755	755	755	753	577	468	393	340
		48-S	492	492	492	426	326	264	222	192	720	720	720	720	578	468	394	340
	150	X80	833	833	706	490	376	304	256	221	900	900	900	869	666	539	454	391
		X48	566	566	566	490	376	304	256	221	829	829	829	829	665	538	453	391
		48-S	540	540	540	491	376	304	255	221	792	792	792	792	667	539	453	391
	160	X80	900	900	806	561	430	348	293	253	900	900	900	900	760	615	518	447
		X48	619	619	619	561	430	348	293	252	900	900	900	900	760	615	517	446
		48-S	591	591	591	560	429	348	292	252	864	864	864	864	760	616	517	446
	170	X80	900	900	900	636	487	395	332	287	900	900	900	900	858	696	585	505
		X48	674	674	674	637	488	395	332	286	900	900	900	900	857	695	585	504
		48-S	643	643	643	635	487	394	332	287	900	900	900	900	858	696	584	505
180	X80	900	900	900	715	547	443	373	322	900	900	900	900	900	781	658	568	
	X48	728	728	728	714	549	443	374	322	900	900	900	900	900	782	656	568	
	48-S	695	695	695	695	547	443	373	322	900	900	900	900	900	782	657	567	
200	X80	900	900	900	889	679	551	463	400	900	900	900	900	900	900	813	702	
	X48	841	841	841	841	680	551	464	399	900	900	900	900	900	900	814	701	
	48-S	802	802	802	802	679	551	463	399	900	900	900	900	900	900	812	701	

Table 1.23: Maximum Downforce (lb.) - Wind Exposure D Condition																		
Exposure D	Ultimate Wind Speed, V (mph)	Rail Type	Roof Wind Pressure Zone 1								Roof Wind Pressure Zone 2							
			Roof Snow Load (psf)								Roof Snow Load (psf)							
			0	10	20	30	40	50	60	70	0	10	20	30	40	50	60	70
ROOFS >7° TO 27°	110	X80	428	514	475	424	408	408	408	408	352	423	476	424	408	408	408	408
		X48	292	350	438	425	408	408	408	407	240	288	391	425	408	408	408	407
		48-S	278	334	417	426	408	407	408	408	228	274	373	426	408	407	408	408
	115	X80	449	524	490	435	408	408	408	408	370	432	492	435	408	408	408	408
		X48	305	356	446	435	408	408	408	407	251	293	391	435	408	408	408	407
		48-S	291	339	425	436	408	407	408	408	239	280	373	435	408	407	408	408
	120	X80	468	533	508	445	414	408	408	408	386	439	507	445	414	408	408	408
		X48	318	362	454	446	413	408	408	407	263	298	392	445	413	408	408	407
		48-S	303	345	433	446	413	407	408	408	250	285	374	447	413	407	408	408
	130	X80	510	554	546	468	431	408	408	408	378	411	527	468	431	408	408	408
		X48	346	377	478	468	430	408	408	407	286	311	399	469	431	408	408	407
		48-S	330	359	455	468	431	407	408	408	273	297	381	469	431	407	408	408
	140	X80	552	577	587	492	450	422	408	408	370	387	487	492	450	422	408	408
		X48	376	393	494	493	449	422	408	407	311	325	408	492	449	422	408	407
		48-S	358	374	471	493	449	422	408	408	296	309	389	471	449	422	408	408
	150	X80	551	568	603	501	456	428	408	408	336	347	433	503	456	428	408	408
		X48	374	386	484	502	456	427	408	407	309	319	400	479	456	427	408	407
		48-S	357	369	460	503	457	427	408	408	295	305	380	457	457	427	408	408
	160	X80	635	635	679	556	492	456	432	415	360	360	429	505	492	456	432	415
		X48	437	437	522	557	491	456	432	414	359	359	428	504	491	455	432	414
		48-S	416	416	497	555	491	456	432	415	345	345	412	485	492	456	432	415
	170	X80	627	627	718	591	517	475	449	429	356	356	408	476	517	475	449	429
		X48	470	470	538	592	518	475	448	429	357	357	409	475	517	475	448	429
		48-S	448	448	514	591	517	475	448	429	356	356	408	475	518	476	448	429
180	X80	621	621	686	630	546	495	465	443	353	353	390	449	509	495	465	443	
	X48	503	503	555	628	547	494	465	443	353	353	390	450	509	495	464	443	
	48-S	479	479	530	611	546	495	465	443	353	353	389	449	510	494	465	443	
200	X80	610	610	635	711	608	544	502	475	348	348	362	411	459	507	502	475	
	X48	570	570	594	674	609	544	503	474	348	348	362	411	459	508	503	474	
	48-S	544	544	566	642	607	544	502	474	347	347	362	411	459	508	501	474	

Table 1.24: Maximum Shear (lb.) - Wind Exposure D Condition																		
Exposure D	Ultimate Wind Speed, V (mph)	Rail Type	Roof Wind Pressure Zone 1								Roof Wind Pressure Zone 2							
			Roof Snow Load (psf)								Roof Snow Load (psf)							
			0	10	20	30	40	50	60	70	0	10	20	30	40	50	60	70
ROOFS >7° TO 27°	110	X80	141	354	432	432	432	432	432	432	175	292	432	432	432	432	432	432
		X48	97	242	397	432	432	432	432	432	119	199	354	432	432	432	432	432
		48-S	92	230	378	432	432	432	432	432	114	189	338	432	432	432	432	432
	115	X80	146	345	432	432	432	432	432	432	183	283	432	432	432	432	432	432
		X48	100	235	393	432	432	432	432	432	124	194	345	432	432	432	432	432
		48-S	96	223	374	432	432	432	432	432	119	184	328	432	432	432	432	432
	120	X80	151	335	432	432	432	432	432	432	189	275	432	432	432	432	432	432
		X48	103	228	388	432	432	432	432	432	129	187	333	432	432	432	432	432
		48-S	97	218	369	432	432	432	432	432	123	179	318	432	432	432	432	432
	130	X80	159	316	432	432	432	432	432	432	184	234	417	432	432	432	432	432
		X48	110	215	378	432	432	432	432	432	139	177	316	432	432	432	432	432
		48-S	104	206	361	432	432	432	432	432	134	170	302	432	432	432	432	432
	140	X80	171	299	432	432	432	432	432	432	178	200	357	432	432	432	432	432
		X48	116	204	364	432	432	432	432	432	149	168	299	432	432	432	432	432
		48-S	110	194	347	432	432	432	432	432	144	160	287	412	432	432	432	432
	150	X80	180	285	432	432	432	432	432	432	175	175	311	432	432	432	432	432
		X48	122	194	347	432	432	432	432	432	161	161	287	412	432	432	432	432
		48-S	117	185	330	432	432	432	432	432	154	154	273	393	432	432	432	432
	160	X80	189	270	432	432	432	432	432	432	175	175	272	392	432	432	432	432
		X48	130	187	333	432	432	432	432	432	175	175	273	393	432	432	432	432
		48-S	125	177	316	432	432	432	432	432	168	168	261	376	432	432	432	432
	170	X80	185	239	424	432	432	432	432	432	175	175	242	348	432	432	432	432
		X48	139	177	318	432	432	432	432	432	175	175	241	347	432	432	432	432
		48-S	131	170	304	432	432	432	432	432	175	175	241	347	432	432	432	432
180	X80	180	212	378	432	432	432	432	432	175	175	215	309	403	432	432	432	
	X48	146	172	306	432	432	432	432	432	175	175	215	309	404	432	432	432	
	48-S	139	163	292	419	432	432	432	432	175	175	215	308	404	432	432	432	
200	X80	175	175	305	432	432	432	432	432	175	175	175	250	326	402	432	432	
	X48	164	164	285	409	432	432	432	432	175	175	175	250	326	402	432	432	
	48-S	156	156	271	390	432	432	432	432	175	175	175	250	326	401	432	432	

Table 1.25: Maximum Span Length (in.) - Wind Exposure B Condition																		
Exposure B	Ultimate Wind Speed, V (mph)	Rail Type	Roof Wind Pressure Zone 1								Roof Wind Pressure Zone 2							
			Roof Snow Load (psf)								Roof Snow Load (psf)							
			0	10	20	30	40	50	60	70	0	10	20	30	40	50	60	70
ROOFS >27° TO 45°	110	X80	120	96	54	37	29	23	19	17	98	96	54	37	29	23	19	17
		X48	82	77	54	37	29	23	19	17	67	67	54	37	29	23	19	17
		48-S	78	74	54	37	29	23	19	17	64	64	54	37	29	23	19	17
	115	X80	116	96	54	37	29	23	19	17	95	95	54	37	29	23	19	17
		X48	79	76	54	37	29	23	19	17	65	65	54	37	29	23	19	17
		48-S	75	73	54	37	29	23	19	17	62	62	54	37	29	23	19	17
	120	X80	113	96	54	37	29	23	19	17	92	92	54	37	29	23	19	17
		X48	77	75	54	37	29	23	19	17	63	63	54	37	29	23	19	17
		48-S	73	72	54	37	29	23	19	17	60	60	54	37	29	23	19	17
	130	X80	106	96	54	37	29	23	19	17	87	87	54	37	29	23	19	17
		X48	72	72	54	37	29	23	19	17	60	60	54	37	29	23	19	17
		48-S	69	69	54	37	29	23	19	17	57	57	54	37	29	23	19	17
	140	X80	101	96	54	37	29	23	19	17	83	83	54	37	29	23	19	17
		X48	69	69	54	37	29	23	19	17	57	57	54	37	29	23	19	17
		48-S	65	65	54	37	29	23	19	17	54	54	54	37	29	23	19	17
	150	X80	96	96	54	37	29	23	19	17	79	79	54	37	29	23	19	17
		X48	65	65	54	37	29	23	19	17	54	54	54	37	29	23	19	17
		48-S	62	62	54	37	29	23	19	17	51	51	51	37	29	23	19	17
	160	X80	92	92	54	37	29	23	19	17	72	72	54	37	29	23	19	17
		X48	62	62	54	37	29	23	19	17	52	52	52	37	29	23	19	17
		48-S	60	60	54	37	29	23	19	17	49	49	49	37	29	23	19	17
	170	X80	88	88	54	37	29	23	19	17	64	64	54	37	29	23	19	17
		X48	60	60	54	37	29	23	19	17	49	49	49	37	29	23	19	17
		48-S	57	57	54	37	29	23	19	17	47	47	47	37	29	23	19	17
180	X80	85	85	54	37	29	23	19	17	57	57	54	37	29	23	19	17	
	X48	58	58	54	37	29	23	19	17	48	48	48	37	29	23	19	17	
	48-S	55	55	54	37	29	23	19	17	45	45	45	37	29	23	19	17	
200	X80	79	79	54	37	29	23	19	17	46	46	46	37	29	23	19	17	
	X48	53	53	53	37	29	23	19	17	44	44	44	37	29	23	19	17	
	48-S	51	51	51	37	29	23	19	17	42	42	42	37	29	23	19	17	

Table 1.26: Maximum Uplift (lb.) - Wind Exposure B Condition																		
Exposure B	Ultimate Wind Speed, V (mph)	Rail Type	Roof Wind Pressure Zone 1								Roof Wind Pressure Zone 2							
			Roof Snow Load (psf)								Roof Snow Load (psf)							
			0	10	20	30	40	50	60	70	0	10	20	30	40	50	60	70
ROOFS >27° TO 45°	110	X80	376	300	168	117	90	72	61	53	562	547	307	213	163	132	111	96
		X48	256	242	168	117	90	73	61	53	382	382	307	213	163	133	111	96
		48-S	244	231	169	117	89	72	61	53	365	365	307	213	163	132	111	96
	115	X80	403	332	186	129	99	80	68	58	598	598	337	234	179	145	122	105
		X48	274	264	186	129	99	80	67	58	407	407	337	234	179	145	122	105
		48-S	261	252	186	129	99	80	67	58	387	387	337	234	180	145	122	105
	120	X80	428	364	204	141	108	88	74	64	635	635	368	255	196	159	134	115
		X48	291	286	204	142	109	88	74	64	432	432	368	256	196	159	133	115
		48-S	277	273	204	142	108	88	74	63	412	412	368	256	196	159	133	115
	130	X80	480	432	242	168	129	105	88	76	709	709	435	301	231	188	158	136
		X48	327	327	242	168	129	104	88	76	482	482	435	302	232	188	158	136
		48-S	311	311	242	168	129	104	88	76	459	459	435	302	232	187	158	136
	140	X80	534	507	284	197	151	122	103	89	786	786	507	352	270	219	184	159
		X48	363	363	284	198	152	122	103	89	535	535	508	353	270	219	184	159
		48-S	347	347	284	198	151	123	103	89	510	510	507	353	271	219	184	159
	150	X80	587	584	328	228	175	141	119	103	865	865	585	406	312	252	213	183
		X48	400	400	328	228	174	142	119	103	588	588	585	406	312	252	212	183
		48-S	381	381	328	228	175	141	119	103	560	560	560	406	312	252	212	183
	160	X80	643	643	376	261	200	162	136	117	900	900	669	464	356	288	243	209
		X48	438	438	376	262	200	162	136	118	643	643	643	464	356	288	242	209
		48-S	417	417	376	261	201	162	136	118	613	613	613	465	357	288	242	209
	170	X80	701	701	428	297	228	184	155	134	900	900	758	525	402	326	275	237
		X48	477	477	428	297	228	184	155	134	698	698	698	525	402	327	274	237
		48-S	455	455	428	297	227	184	155	134	665	665	665	526	403	326	274	237
180	X80	758	758	480	333	256	207	174	150	900	900	852	590	453	367	309	266	
	X48	516	516	481	334	256	207	174	150	755	755	755	591	453	367	308	266	
	48-S	492	492	479	334	256	207	174	151	720	720	720	591	453	367	308	266	
200	X80	878	878	599	415	318	258	217	187	900	900	900	731	561	454	383	330	
	X48	597	597	597	416	319	258	217	187	871	871	871	733	561	455	382	330	
	48-S	569	569	569	416	318	258	217	187	830	830	830	731	561	454	382	330	

Table 1.27: Maximum Downforce (lb.) - Wind Exposure B Condition																			
Exposure B	Ultimate Wind Speed, V (mph)	Rail Type	Roof Wind Pressure Zone 1								Roof Wind Pressure Zone 2								
			Roof Snow Load (psf)								Roof Snow Load (psf)								
			0	10	20	30	40	50	60	70	0	10	20	30	40	50	60	70	
ROOFS >27° TO 45°	110	X80	329	377	311	302	302	302	302	302	270	377	311	302	302	302	302	302	302
		X48	224	304	310	302	302	302	302	302	184	263	311	302	302	302	302	302	302
		48-S	214	289	311	302	302	302	302	302	174	251	311	302	302	302	302	302	302
	115	X80	342	389	318	302	302	302	302	302	281	388	318	302	302	302	302	302	302
		X48	233	310	318	302	302	302	302	302	191	264	318	302	302	302	302	302	302
		48-S	222	295	318	302	302	302	302	302	182	251	318	302	302	302	302	302	302
	120	X80	356	403	325	302	302	302	302	302	292	388	325	302	302	302	302	302	302
		X48	242	316	325	302	302	302	302	302	198	265	325	302	302	302	302	302	302
		48-S	230	302	325	302	302	302	302	302	190	252	325	302	302	302	302	302	302
	130	X80	384	430	341	305	302	302	302	302	316	393	341	305	302	302	302	302	302
		X48	261	325	341	306	302	302	302	302	215	267	341	305	302	302	302	302	302
		48-S	249	310	341	305	302	302	302	302	205	255	341	305	302	302	302	302	302
	140	X80	413	460	357	317	302	302	302	302	340	399	357	317	302	302	302	302	302
		X48	281	330	357	317	302	302	302	302	231	271	358	318	302	302	302	302	302
		48-S	268	314	358	317	302	302	302	302	221	259	357	317	302	302	302	302	302
	150	X80	410	470	363	321	302	302	302	302	339	389	363	321	302	302	302	302	302
		X48	280	321	363	322	302	302	302	302	230	265	363	321	302	302	302	302	302
		48-S	266	307	363	321	302	302	302	302	220	252	348	321	302	302	302	302	302
	160	X80	475	509	393	343	316	302	302	302	375	400	395	343	316	302	302	302	302
		X48	323	346	395	343	316	302	302	302	267	285	379	343	316	302	302	302	302
		48-S	309	330	395	343	316	302	302	302	255	272	361	344	316	302	302	302	302
	170	X80	509	528	415	357	327	308	302	302	370	382	416	357	327	308	302	302	302
		X48	346	359	415	358	327	308	302	302	287	297	383	358	327	308	302	302	302
		48-S	330	342	416	357	327	307	302	302	273	283	366	358	327	307	302	302	302
180	X80	543	548	437	372	338	317	303	302	364	367	437	372	338	317	303	302	302	
	X48	369	372	437	373	339	317	302	302	305	307	388	373	339	317	302	302	302	
	48-S	352	355	435	372	339	317	302	302	291	293	370	372	339	317	302	302	302	
200	X80	613	613	485	405	363	337	320	307	357	357	413	405	363	337	320	307	307	
	X48	417	417	482	405	364	338	320	307	345	345	400	406	364	337	320	307	307	
	48-S	398	398	460	406	363	337	319	307	329	329	381	405	363	337	319	307	307	

Table 1.28: Maximum Shear (lb.) - Wind Exposure B Condition																		
Exposure B	Ultimate Wind Speed, V (mph)	Rail Type	Roof Wind Pressure Zone 1								Roof Wind Pressure Zone 2							
			Roof Snow Load (psf)								Roof Snow Load (psf)							
			0	10	20	30	40	50	60	70	0	10	20	30	40	50	60	70
ROOFS >27° TO 45°	110	X80	139	432	432	432	432	432	432	432	157	432	432	432	432	432	432	432
		X48	94	349	432	432	432	432	432	432	106	302	432	432	432	432	432	432
		48-S	91	333	432	432	432	432	432	432	101	288	432	432	432	432	432	432
	115	X80	142	432	432	432	432	432	432	432	160	430	432	432	432	432	432	432
		X48	97	344	432	432	432	432	432	432	109	293	432	432	432	432	432	432
		48-S	91	328	432	432	432	432	432	432	105	279	432	432	432	432	432	432
	120	X80	143	432	432	432	432	432	432	432	165	418	432	432	432	432	432	432
		X48	97	340	432	432	432	432	432	432	112	283	432	432	432	432	432	432
		48-S	92	324	432	432	432	432	432	432	106	270	432	432	432	432	432	432
	130	X80	149	432	432	432	432	432	432	432	174	396	432	432	432	432	432	432
		X48	101	326	432	432	432	432	432	432	118	270	432	432	432	432	432	432
		48-S	96	313	432	432	432	432	432	432	113	256	432	432	432	432	432	432
	140	X80	154	432	432	432	432	432	432	432	183	376	432	432	432	432	432	432
		X48	103	310	432	432	432	432	432	432	124	254	432	432	432	432	432	432
		48-S	99	295	432	432	432	432	432	432	119	243	432	432	432	432	432	432
	150	X80	160	432	432	432	432	432	432	432	194	358	432	432	432	432	432	432
		X48	108	295	432	432	432	432	432	432	132	243	432	432	432	432	432	432
		48-S	104	281	432	432	432	432	432	432	125	232	414	432	432	432	432	432
	160	X80	165	414	432	432	432	432	432	432	195	326	432	432	432	432	432	432
		X48	113	281	432	432	432	432	432	432	139	234	416	432	432	432	432	432
		48-S	107	270	432	432	432	432	432	432	133	223	396	432	432	432	432	432
	170	X80	172	398	432	432	432	432	432	432	190	288	432	432	432	432	432	432
		X48	117	270	432	432	432	432	432	432	148	223	398	432	432	432	432	432
		48-S	112	259	432	432	432	432	432	432	141	214	380	432	432	432	432	432
180	X80	181	382	432	432	432	432	432	432	185	256	432	432	432	432	432	432	
	X48	122	261	432	432	432	432	432	432	155	216	382	432	432	432	432	432	
	48-S	116	247	432	432	432	432	432	432	148	205	365	432	432	432	432	432	
200	X80	195	355	432	432	432	432	432	432	178	207	369	432	432	432	432	432	
	X48	134	241	432	432	432	432	432	432	173	200	358	432	432	432	432	432	
	48-S	127	230	412	432	432	432	432	432	165	191	340	432	432	432	432	432	

Table 1.29: Maximum Span Length (in.) - Wind Exposure C Condition																		
Exposure C	Ultimate Wind Speed, V (mph)	Rail Type	Roof Wind Pressure Zone 1								Roof Wind Pressure Zone 2							
			Roof Snow Load (psf)								Roof Snow Load (psf)							
			0	10	20	30	40	50	60	70	0	10	20	30	40	50	60	70
ROOFS >27° TO 45°	110	X80	106	96	54	37	29	23	19	17	87	87	54	37	29	23	19	17
		X48	72	72	54	37	29	23	19	17	59	59	54	37	29	23	19	17
		48-S	69	69	54	37	29	23	19	17	57	57	54	37	29	23	19	17
	115	X80	103	96	54	37	29	23	19	17	85	85	54	37	29	23	19	17
		X48	70	70	54	37	29	23	19	17	58	58	54	37	29	23	19	17
		48-S	67	67	54	37	29	23	19	17	55	55	54	37	29	23	19	17
	120	X80	100	95	54	37	29	23	19	17	82	82	54	37	29	23	19	17
		X48	68	68	54	37	29	23	19	17	56	56	54	37	29	23	19	17
		48-S	65	65	54	37	29	23	19	17	53	53	53	37	29	23	19	17
	130	X80	94	94	54	37	29	23	19	17	78	78	54	37	29	23	19	17
		X48	64	64	54	37	29	23	19	17	53	53	53	37	29	23	19	17
		48-S	61	61	54	37	29	23	19	17	51	51	51	37	29	23	19	17
	140	X80	90	90	54	37	29	23	19	17	67	67	54	37	29	23	19	17
		X48	61	61	54	37	29	23	19	17	50	50	50	37	29	23	19	17
		48-S	58	58	54	37	29	23	19	17	48	48	48	37	29	23	19	17
	150	X80	85	85	54	37	29	23	19	17	58	58	54	37	29	23	19	17
		X48	58	58	54	37	29	23	19	17	48	48	48	37	29	23	19	17
		48-S	55	55	54	37	29	23	19	17	46	46	46	37	29	23	19	17
	160	X80	82	82	54	37	29	23	19	17	51	51	51	37	29	23	19	17
		X48	56	56	54	37	29	23	19	17	46	46	46	37	29	23	19	17
		48-S	53	53	53	37	29	23	19	17	44	44	44	37	29	23	19	17
	170	X80	78	78	54	37	29	23	19	17	45	45	45	37	29	23	19	17
		X48	53	53	53	37	29	23	19	17	44	44	44	37	29	23	19	17
		48-S	51	51	51	37	29	23	19	17	42	42	42	37	29	23	19	17
180	X80	71	71	54	37	29	23	19	17	40	40	40	37	29	23	19	17	
	X48	51	51	51	37	29	23	19	17	40	40	40	37	28	23	19	17	
	48-S	49	49	49	37	29	23	19	17	40	40	40	37	29	23	19	17	
200	X80	57	57	54	37	29	23	19	17	33	33	33	33	29	23	19	17	
	X48	48	48	48	37	29	23	19	17	33	33	33	33	29	23	19	17	
	48-S	45	45	45	37	29	23	19	17	33	33	33	33	29	23	19	17	

Table 1.30: Maximum Uplift (lb.) - Wind Exposure C Condition																		
Exposure C	Ultimate Wind Speed, V (mph)	Rail Type	Roof Wind Pressure Zone 1								Roof Wind Pressure Zone 2							
			Roof Snow Load (psf)								Roof Snow Load (psf)							
			0	10	20	30	40	50	60	70	0	10	20	30	40	50	60	70
ROOFS >27° TO 45°	110	X80	481	433	243	168	129	105	88	76	711	711	436	303	232	188	158	136
		X48	327	327	242	169	129	104	88	76	483	483	436	303	232	188	158	137
		48-S	311	311	243	168	129	104	88	76	461	461	437	304	233	188	158	137
	115	X80	513	477	268	186	143	115	97	84	756	756	479	332	254	206	173	150
		X48	349	349	268	186	143	115	97	84	514	514	479	333	255	206	173	150
		48-S	333	333	267	186	143	115	97	84	491	491	478	332	255	206	173	150
	120	X80	544	520	292	203	156	126	106	91	802	802	523	363	278	225	190	164
		X48	370	370	292	203	156	126	106	91	546	546	524	364	278	226	189	164
		48-S	353	353	292	203	156	126	106	91	520	520	520	363	279	225	189	164
	130	X80	609	609	346	240	184	149	126	108	895	895	616	427	328	266	223	193
		X48	415	415	346	241	185	149	125	108	608	608	608	428	328	266	223	193
		48-S	395	395	346	241	184	149	125	108	580	580	580	428	328	265	223	193
	140	X80	677	677	405	281	216	174	147	127	900	900	718	498	382	309	261	225
		X48	460	460	405	282	216	175	147	127	674	674	674	498	382	310	260	225
		48-S	439	439	405	281	216	174	147	127	642	642	642	499	383	309	260	225
	150	X80	743	743	466	324	248	201	169	146	900	900	826	574	440	356	300	259
		X48	506	506	467	324	248	201	169	146	741	741	741	574	440	357	300	259
		48-S	482	482	468	324	249	201	169	146	706	706	706	574	440	356	300	259
	160	X80	813	813	534	371	284	230	193	167	900	900	900	656	502	407	342	295
		X48	553	553	534	371	284	230	193	167	808	808	808	655	502	406	342	295
		48-S	527	527	527	370	284	230	193	167	771	771	771	655	502	407	342	295
	170	X80	884	884	605	421	322	261	220	190	900	900	900	742	567	460	387	334
		X48	602	602	602	420	323	261	219	189	877	877	877	742	567	460	386	334
		48-S	574	574	574	420	323	261	219	189	836	836	836	740	568	459	387	334
180	X80	900	900	679	473	362	293	247	213	900	900	900	832	638	517	435	375	
	X48	650	650	650	473	362	293	246	213	900	900	900	832	637	517	435	375	
	48-S	620	620	620	473	362	293	246	213	900	900	900	831	638	517	434	375	
200	X80	900	900	845	587	449	364	307	264	900	900	900	900	789	639	538	464	
	X48	751	751	751	587	450	364	306	264	900	900	900	900	789	640	538	464	
	48-S	717	717	717	588	449	364	306	265	900	900	900	900	788	639	537	464	

Table 1.31: Maximum Downforce (lb.) - Wind Exposure C Condition																		
Exposure C	Ultimate Wind Speed, V (mph)	Rail Type	Roof Wind Pressure Zone 1							Roof Wind Pressure Zone 2								
			Roof Snow Load (psf)							Roof Snow Load (psf)								
			0	10	20	30	40	50	60	70	0	10	20	30	40	50	60	70
ROOFS >27° TO 45°	110	X80	383	430	341	305	302	302	302	302	315	393	341	305	302	302	302	302
		X48	261	325	341	306	302	302	302	302	215	267	340	306	302	302	302	302
		48-S	249	310	341	305	302	302	302	302	204	255	340	305	302	302	302	302
	115	X80	402	447	351	313	302	302	302	302	331	396	351	313	302	302	302	302
		X48	273	327	351	313	302	302	302	302	225	270	351	313	302	302	302	302
		48-S	260	312	350	313	302	302	302	302	214	257	350	313	302	302	302	302
	120	X80	420	465	361	319	302	302	302	302	345	401	361	319	302	302	302	302
		X48	285	330	360	320	302	302	302	302	234	272	361	320	302	302	302	302
		48-S	271	315	360	320	302	302	302	302	224	260	359	320	302	302	302	302
	130	X80	456	498	382	335	309	302	302	302	377	411	382	335	309	302	302	302
		X48	310	339	382	335	310	302	302	302	256	279	378	335	310	302	302	302
		48-S	295	323	382	335	310	302	302	302	244	267	360	335	310	302	302	302
	140	X80	494	519	406	351	322	304	302	302	371	390	405	351	322	304	302	302
		X48	336	352	406	351	322	304	302	302	277	291	381	350	322	304	302	302
		48-S	321	336	406	351	322	303	302	302	265	278	363	352	322	303	302	302
	150	X80	492	511	414	356	326	307	302	302	336	349	414	356	326	307	302	302
		X48	335	347	414	357	327	307	302	302	276	287	371	356	326	307	302	302
		48-S	319	331	415	356	327	307	302	302	264	273	353	357	327	307	302	302
	160	X80	575	575	458	388	349	326	311	302	360	360	436	388	349	326	311	302
		X48	391	391	458	387	349	326	310	302	323	323	392	387	350	326	310	302
		48-S	373	373	453	387	350	326	310	302	308	308	374	387	350	326	310	302
	170	X80	617	617	487	408	365	339	321	308	356	356	411	408	365	339	321	308
		X48	420	420	484	407	366	339	321	308	348	348	401	408	365	339	321	308
		48-S	400	400	461	407	366	338	321	308	332	332	382	407	365	338	321	308
180	X80	623	623	522	429	381	351	332	317	353	353	392	428	381	351	332	317	
	X48	449	449	500	429	381	352	332	318	353	353	392	428	380	352	332	318	
	48-S	428	428	477	428	382	352	332	318	353	353	392	427	382	352	332	318	
200	X80	610	610	600	474	416	380	356	338	348	348	364	414	416	380	356	338	
	X48	510	510	533	474	417	381	356	338	348	348	364	415	416	381	356	338	
	48-S	486	486	509	475	416	380	356	338	348	348	364	414	416	380	356	338	

Table 1.32: Maximum Shear (lb.) - Wind Exposure C Condition																		
Exposure C	Ultimate Wind Speed, V (mph)	Rail Type	Roof Wind Pressure Zone 1								Roof Wind Pressure Zone 2							
			Roof Snow Load (psf)								Roof Snow Load (psf)							
			0	10	20	30	40	50	60	70	0	10	20	30	40	50	60	70
ROOFS >27° TO 45°	110	X80	148	432	432	432	432	432	432	432	174	394	432	432	432	432	432	432
		X48	101	326	432	432	432	432	432	432	118	268	432	432	432	432	432	432
		48-S	96	311	432	432	432	432	432	432	112	256	432	432	432	432	432	432
	115	X80	150	432	432	432	432	432	432	432	179	382	432	432	432	432	432	432
		X48	102	317	432	432	432	432	432	432	122	261	432	432	432	432	432	432
		48-S	97	301	432	432	432	432	432	432	117	248	432	432	432	432	432	432
	120	X80	154	432	432	432	432	432	432	432	186	371	432	432	432	432	432	432
		X48	104	306	432	432	432	432	432	432	126	252	432	432	432	432	432	432
		48-S	99	293	432	432	432	432	432	432	121	241	430	432	432	432	432	432
	130	X80	162	427	432	432	432	432	432	432	198	351	432	432	432	432	432	432
		X48	109	290	432	432	432	432	432	432	136	239	427	432	432	432	432	432
		48-S	105	277	432	432	432	432	432	432	129	227	407	432	432	432	432	432
	140	X80	170	405	432	432	432	432	432	432	192	304	432	432	432	432	432	432
		X48	115	275	432	432	432	432	432	432	145	227	405	432	432	432	432	432
		48-S	111	263	432	432	432	432	432	432	137	216	387	432	432	432	432	432
	150	X80	178	387	432	432	432	432	432	432	187	264	432	432	432	432	432	432
		X48	122	263	432	432	432	432	432	432	154	216	387	432	432	432	432	432
		48-S	116	250	432	432	432	432	432	432	147	207	369	432	432	432	432	432
	160	X80	188	369	432	432	432	432	432	432	182	232	412	432	432	432	432	432
		X48	126	252	432	432	432	432	432	432	163	207	371	432	432	432	432	432
		48-S	122	239	427	432	432	432	432	432	156	198	353	432	432	432	432	432
	170	X80	196	353	432	432	432	432	432	432	178	204	364	432	432	432	432	432
		X48	133	241	430	432	432	432	432	432	173	200	355	432	432	432	432	432
		48-S	129	230	409	432	432	432	432	432	165	189	340	432	432	432	432	432
180	X80	194	320	432	432	432	432	432	432	175	182	324	432	432	432	432	432	
	X48	142	232	414	432	432	432	432	432	175	182	324	432	432	432	432	432	
	48-S	134	220	394	432	432	432	432	432	175	181	325	432	432	432	432	432	
200	X80	185	258	432	432	432	432	432	432	175	175	263	378	432	432	432	432	
	X48	156	216	385	432	432	432	432	432	175	175	263	378	432	432	432	432	
	48-S	149	205	367	432	432	432	432	432	175	175	262	377	432	432	432	432	

Table 1.33: Maximum Span Length (in.) - Wind Exposure D Condition																		
Exposure D	Ultimate Wind Speed, V (mph)	Rail Type	Roof Wind Pressure Zone 1								Roof Wind Pressure Zone 2							
			Roof Snow Load (psf)								Roof Snow Load (psf)							
			0	10	20	30	40	50	60	70	0	10	20	30	40	50	60	70
ROOFS >27° TO 45°	110	X80	100	96	54	37	29	23	19	17	82	82	54	37	29	23	19	17
		X48	68	68	54	37	29	23	19	17	56	56	54	37	29	23	19	17
		48-S	65	65	54	37	29	23	19	17	53	53	53	37	29	23	19	17
	115	X80	97	96	54	37	29	23	19	17	80	80	54	37	29	23	19	17
		X48	66	66	54	37	29	23	19	17	54	54	54	37	29	23	19	17
		48-S	63	63	54	37	29	23	19	17	52	52	52	37	29	23	19	17
	120	X80	94	94	54	37	29	23	19	17	77	77	54	37	29	23	19	17
		X48	64	64	54	37	29	23	19	17	53	53	53	37	29	23	19	17
		48-S	61	61	54	37	29	23	19	17	50	50	50	37	29	23	19	17
	130	X80	89	89	54	37	29	23	19	17	66	66	54	37	29	23	19	17
		X48	60	60	54	37	29	23	19	17	50	50	50	37	29	23	19	17
		48-S	58	58	54	37	29	23	19	17	48	48	48	37	29	23	19	17
	140	X80	84	84	54	37	29	23	19	17	57	57	54	37	29	23	19	17
		X48	57	57	54	37	29	23	19	17	47	47	47	37	29	23	19	17
		48-S	55	55	54	37	29	23	19	17	45	45	45	37	29	23	19	17
	150	X80	81	81	54	37	29	23	19	17	49	49	49	37	29	23	19	17
		X48	55	55	54	37	29	23	19	17	45	45	45	37	29	23	19	17
		48-S	52	52	52	37	29	23	19	17	43	43	43	37	29	23	19	17
	160	X80	76	76	54	37	29	23	19	17	43	43	43	37	29	23	19	17
		X48	52	52	52	37	29	23	19	17	43	43	43	37	29	23	19	17
		48-S	50	50	50	37	29	23	19	17	41	41	41	37	29	23	19	17
	170	X80	67	67	54	37	29	23	19	17	38	38	38	37	29	23	19	17
		X48	50	50	50	37	29	23	19	17	38	38	38	37	29	23	19	17
		48-S	48	48	48	37	29	23	19	17	38	38	38	37	29	23	19	17
180	X80	60	60	54	37	29	23	19	17	34	34	34	34	29	23	19	17	
	X48	48	48	48	37	29	23	19	17	34	34	34	34	29	23	19	17	
	48-S	46	46	46	37	29	23	19	17	34	34	34	34	29	23	19	17	
200	X80	48	48	48	37	29	23	19	17	27	27	27	27	27	23	19	17	
	X48	45	45	45	37	29	23	19	17	27	27	27	27	27	23	19	17	
	48-S	43	43	43	37	29	23	19	17	27	27	27	27	27	23	19	17	

Table 1.34: Maximum Uplift (lb.) - Wind Exposure D Condition																		
Exposure D	Ultimate Wind Speed, V (mph)	Rail Type	Roof Wind Pressure Zone 1								Roof Wind Pressure Zone 2							
			Roof Snow Load (psf)								Roof Snow Load (psf)							
			0	10	20	30	40	50	60	70	0	10	20	30	40	50	60	70
ROOFS >27° TO 45°	110	X80	542	518	291	202	155	125	106	91	800	800	521	361	277	224	189	163
		X48	369	369	291	202	155	126	105	91	544	544	519	361	277	225	189	163
		48-S	352	352	291	202	155	126	106	91	519	519	519	362	278	225	189	163
	115	X80	579	573	320	222	170	138	116	100	850	850	570	396	304	246	207	179
		X48	394	394	320	223	170	138	116	100	578	578	569	396	303	246	207	179
		48-S	376	376	321	223	171	138	116	100	551	551	551	396	304	246	206	179
	120	X80	614	614	350	243	186	151	127	109	900	900	623	433	332	269	226	195
		X48	418	418	350	243	186	151	127	110	613	613	613	433	332	269	226	195
		48-S	398	398	349	243	186	151	127	109	585	585	585	434	332	269	226	195
	130	X80	686	686	413	287	220	178	150	130	900	900	734	509	390	316	266	229
		X48	466	466	413	287	220	179	150	129	683	683	683	509	391	316	266	230
		48-S	445	445	413	287	221	178	150	130	652	652	652	509	391	316	266	230
	140	X80	761	761	483	336	258	208	176	151	900	900	855	593	455	369	310	267
		X48	518	518	483	336	257	209	175	152	757	757	757	593	454	368	310	268
		48-S	494	494	484	335	258	208	175	151	722	722	722	595	455	369	310	268
	150	X80	836	836	557	386	296	240	202	174	900	900	900	682	523	424	357	308
		X48	568	568	557	386	296	240	202	174	831	831	831	682	523	424	356	308
		48-S	542	542	542	386	296	240	201	174	793	793	793	683	524	424	356	308
	160	X80	900	900	636	442	338	274	231	199	900	900	900	779	597	484	407	351
		X48	621	621	621	442	339	274	231	199	900	900	900	778	597	484	407	351
		48-S	593	593	593	442	339	275	230	199	865	865	865	780	598	484	407	351
	170	X80	900	900	721	500	384	311	262	226	900	900	900	880	675	547	460	396
		X48	676	676	676	501	384	311	262	226	900	900	900	879	675	546	460	397
		48-S	644	644	644	500	384	311	261	226	900	900	900	880	675	546	459	397
180	X80	900	900	809	562	431	349	294	253	900	900	900	900	758	614	517	446	
	X48	730	730	730	563	430	349	294	253	900	900	900	900	757	614	516	446	
	48-S	696	696	696	562	430	349	293	253	900	900	900	900	758	614	516	446	
200	X80	900	900	900	697	535	434	365	315	900	900	900	900	900	761	639	551	
	X48	843	843	843	698	534	434	364	314	900	900	900	900	900	761	638	551	
	48-S	804	804	804	699	535	434	364	315	900	900	900	900	900	760	640	551	

Table 1.35: Maximum Downforce (lb.) - Wind Exposure D Condition																		
Exposure D	Ultimate Wind Speed, V (mph)	Rail Type	Roof Wind Pressure Zone 1								Roof Wind Pressure Zone 2							
			Roof Snow Load (psf)								Roof Snow Load (psf)							
			0	10	20	30	40	50	60	70	0	10	20	30	40	50	60	70
ROOFS >27° TO 45°	110	X80	417	464	360	319	302	302	302	302	344	400	360	319	302	302	302	302
		X48	284	330	359	319	302	302	302	302	234	272	360	319	302	302	302	302
		48-S	271	315	359	319	302	302	302	302	223	260	359	319	302	302	302	302
	115	X80	438	486	372	327	304	302	302	302	361	405	372	327	304	302	302	302
		X48	298	334	371	328	304	302	302	302	245	276	371	327	304	302	302	302
		48-S	285	319	372	328	304	302	302	302	235	263	360	327	304	302	302	302
	120	X80	458	499	384	336	310	302	302	302	377	411	383	336	310	302	302	302
		X48	311	339	383	336	310	302	302	302	257	280	378	336	310	302	302	302
		48-S	298	323	383	335	311	302	302	302	245	267	360	336	311	302	302	302
	130	X80	501	522	408	353	324	305	302	302	371	387	410	353	324	305	302	302
		X48	341	355	409	353	324	305	302	302	282	293	381	353	324	305	302	302
		48-S	325	339	409	353	324	305	302	302	268	280	364	353	324	305	302	302
	140	X80	543	547	438	373	339	317	303	302	364	366	438	373	339	317	303	302
		X48	369	372	437	373	339	318	303	302	306	308	388	373	339	318	303	302
		48-S	352	355	437	372	339	317	303	302	292	293	370	374	338	317	303	302
	150	X80	541	541	448	380	344	322	307	302	330	330	409	379	344	322	307	302
		X48	368	368	448	379	344	322	306	302	305	305	378	380	344	322	306	302
		48-S	351	351	435	379	344	321	306	302	291	291	361	380	344	321	306	302
	160	X80	626	626	501	416	371	344	325	312	354	354	402	415	371	344	325	312
		X48	431	431	490	416	371	344	326	312	354	354	402	416	372	344	326	312
		48-S	411	411	467	416	372	344	325	312	341	341	387	416	372	344	325	312
	170	X80	618	618	542	439	390	359	338	323	352	352	385	439	390	359	338	323
		X48	465	465	508	440	390	359	338	323	352	352	385	439	390	359	338	323
		48-S	443	443	485	440	390	359	337	323	352	352	385	439	390	359	337	323
180	X80	613	613	583	465	409	374	351	334	349	349	369	423	409	374	351	334	
	X48	498	498	526	465	409	374	351	334	349	349	369	423	409	374	351	334	
	48-S	474	474	502	464	409	374	351	334	349	349	369	423	409	375	351	334	
200	X80	604	604	605	525	450	408	379	358	345	345	345	386	433	408	379	358	
	X48	566	566	567	526	451	408	379	358	345	345	345	387	433	408	379	358	
	48-S	539	539	540	526	451	408	379	358	344	344	345	386	433	408	380	358	

Table 1.36: Maximum Shear (lb.) - Wind Exposure D Condition																		
Exposure D	Ultimate Wind Speed, V (mph)	Rail Type	Roof Wind Pressure Zone 1								Roof Wind Pressure Zone 2							
			Roof Snow Load (psf)								Roof Snow Load (psf)							
			0	10	20	30	40	50	60	70	0	10	20	30	40	50	60	70
ROOFS >27° TO 45°	110	X80	155	432	432	432	432	432	432	432	184	371	432	432	432	432	432	432
		X48	104	308	432	432	432	432	432	432	126	254	432	432	432	432	432	432
		48-S	100	293	432	432	432	432	432	432	121	241	430	432	432	432	432	432
	115	X80	158	432	432	432	432	432	432	432	193	360	432	432	432	432	432	432
		X48	107	297	432	432	432	432	432	432	132	245	432	432	432	432	432	432
		48-S	103	283	432	432	432	432	432	432	125	234	418	432	432	432	432	432
	120	X80	163	425	432	432	432	432	432	432	199	351	432	432	432	432	432	432
		X48	111	288	432	432	432	432	432	432	135	238	425	432	432	432	432	432
		48-S	105	275	432	432	432	432	432	432	128	227	405	432	432	432	432	432
	130	X80	171	403	432	432	432	432	432	432	192	298	432	432	432	432	432	432
		X48	115	274	432	432	432	432	432	432	145	225	403	432	432	432	432	432
		48-S	111	261	432	432	432	432	432	432	139	216	385	432	432	432	432	432
	140	X80	180	382	432	432	432	432	432	432	186	255	432	432	432	432	432	432
		X48	123	259	432	432	432	432	432	432	157	214	382	432	432	432	432	432
		48-S	118	247	432	432	432	432	432	432	150	205	365	432	432	432	432	432
	150	X80	190	364	432	432	432	432	432	432	180	222	396	432	432	432	432	432
		X48	130	247	432	432	432	432	432	432	166	205	365	432	432	432	432	432
		48-S	123	236	421	432	432	432	432	432	160	196	349	432	432	432	432	432
	160	X80	198	344	432	432	432	432	432	432	177	194	346	432	432	432	432	432
		X48	137	236	423	432	432	432	432	432	176	194	346	432	432	432	432	432
		48-S	131	225	403	432	432	432	432	432	170	187	333	432	432	432	432	432
	170	X80	193	302	432	432	432	432	432	432	175	175	306	432	432	432	432	432
		X48	145	227	405	432	432	432	432	432	175	175	307	432	432	432	432	432
		48-S	137	216	387	432	432	432	432	432	175	175	306	432	432	432	432	432
180	X80	187	270	432	432	432	432	432	432	175	175	273	392	432	432	432	432	
	X48	152	218	389	432	432	432	432	432	175	175	272	394	432	432	432	432	
	48-S	145	209	371	432	432	432	432	432	175	175	273	393	432	432	432	432	
200	X80	181	217	387	432	432	432	432	432	175	175	221	318	415	432	432	432	
	X48	168	203	362	432	432	432	432	432	175	175	220	318	415	432	432	432	
	48-S	162	193	346	432	432	432	432	432	175	175	220	318	414	432	432	432	

Table 2.1: CrossRail Section Properties				
	48-S	X48	X80	Unit
Cross Sectional Area (A)	0.5440	0.7100	0.7770	in ²
Moments of Inertia:				
Vertical (Ix)	0.2183	0.2518	0.8000	in ⁴
Horizontal (Iy)	0.1614	0.2306	0.1970	in ⁴
Section Moduli:				
Vertical (Sx)	0.2235	0.2457	0.5290	in ³
Horizontal (Sy)	0.1925	0.2966	0.2514	in ³
Material:	6000 Series Aluminum Ultimate Tensile Strength: 37.7 ksi Yield Strength: 34.8 ksi			

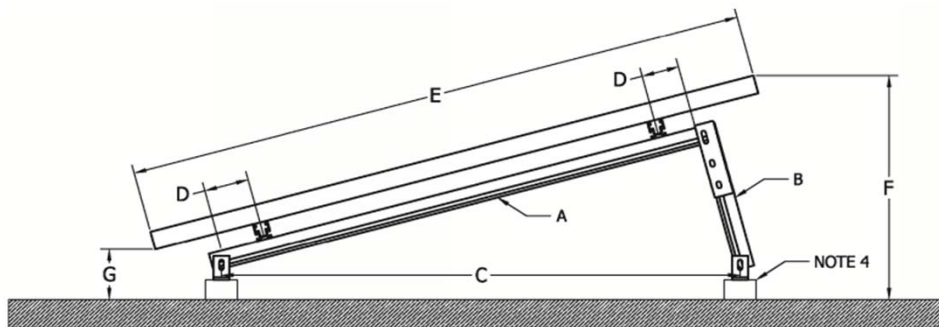


Figure 4: CrossRail Tilt Up Leg Dimensions

Dimension	Description	Desired Tilt Angle					
		15 Degrees		10 Degrees		7 Degrees	
		60-Cell Panel	72-Cell Panel	60-Cell Panel	72-Cell Panel	60-Cell Panel	72-Cell Panel
A	Front Leg	54.5	62	54.5	62	54.5	62
B	Rear Leg	15	16.5	9.5	11	6.5	7.5
C	L-Foot Spacing	54	64	53	63	52.5	62.5
D	Rail Offset	5	5	5	5	5	5
E	Module Length	65	79	65	79	65	79
F	Rear Module Height	22	25	17	18	14	15
G	Front Module Height	3 1/3	3 1/3	3 7/8	3 7/8	4 1/8	4 1/8

Table 4: CrossRail Tilt Up Installation Dimensions

Note: All dimensions are in inches.

Notes:

1. Rail Offset not to exceed 8".
2. Rear module height not to exceed 30", Note that dimension provided in Table 4 does not include roof attachment height.
3. Front module height dimension does not include roof attachment height.
4. Refer to CrossRail Tilt Up Engineering Letter(s) for reaction loads at L-Feet.
5. Always refer to chosen PV module manufacturer's installation instructions for approved clamping locations. Dimensions in Table 4 assume a standard 60-cell or 72-cell module with clamping locations at the 1/6-points on the module's long edge.
6. Installer is responsible for cutting rail to lengths specified "A" and "B" in Table 4.
7. Dimensions provided in Table 4 are suggested values. Installer shall verify dimensions are appropriate for the individual site conditions, selected PV module and roof surface.
8. Adjust based on your installation needs.

Figure 2.1: Tilt-Up Kit Reference Geometry