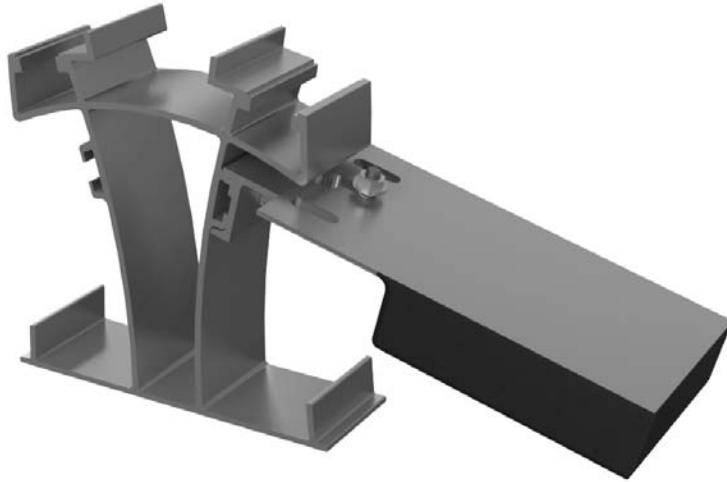


# Mounting systems for solar technology



## D Dome R<sup>2</sup> Optimizer Mounting Bracket Kit:

- ▶ Mount common micro-inverter and optimizers under panel, hidden from view
- ▶ Fast, simple installation with preassembled mounting bolts
- ▶ Ability to mount on both sides of Dome Peak

## QUICK GUIDE

4000646 Dome R<sup>2</sup> Optimizer Mounting Bracket Kit

## D DOME R<sup>2</sup> OPTIMIZER MOUNTING BRACKET KIT



Dome R<sup>2</sup> Peak  
Material: Aluminum



Dome R<sup>2</sup> Optimizer Mounting Bracket Kit  
Material: Aluminum  
Hardware: Stainless Steel

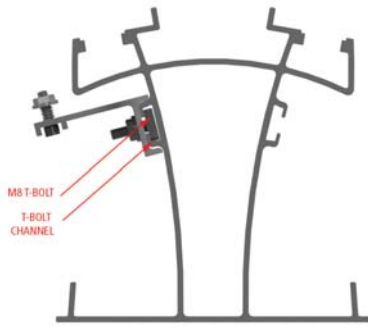
### TOOLS REQUIRED

- ▶ Torque wrench (0 – 50 ft-lb)
- ▶ 13 mm socket (for M8 Nut)

### TORQUE SPECIFICATIONS

- ▶ Range between 10 - 15 ft-lb

## INSTALLATION OF D DOME R<sup>2</sup> MOUNTING BRACKET: STEP BY STEP



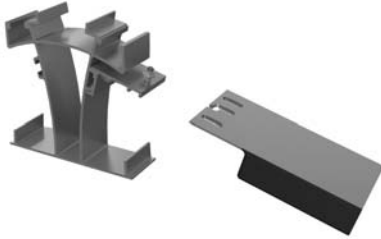
1  
of 3

### ATTACH MOUNTING BRACKET ONTO DOME PEAK

Slide the T-Bolt on mounting bracket assembly through T-Bolt channel on the Dome Peak piece, until the side of the bracket is flush with the side of the peak.

Torque: 10 - 15 ft-lb

Materials Required: Dome R<sup>2</sup> Peak, Dome R<sup>2</sup> Optimizer Mounting Bracket Kit, 13mm socket



2  
of 3

### ATTACH MICRO-INVERTER OR OPTIMIZER ONTO MOUNTING BRACKET

Slide the slot on flange of micro-inverter or optimizer onto M8 T-Bolt.

Torque: 10 - 15 ft-lb

Materials Required: Dome R<sup>2</sup> Optimizer Mounting Bracket Kit, Micro-Inverter or Optimizer, 13mm socket



3  
of 3

### DOUBLE MOUNTING

Repeat steps 1-2 on opposite side of Dome Peak for additional micro-inverter or optimizers.



Ready!

THANK YOU FOR CHOOSING AN EVEREST SOLAR SYSTEMS MOUNTING SYSTEM.