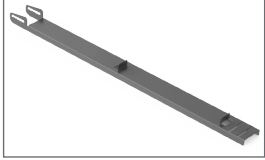
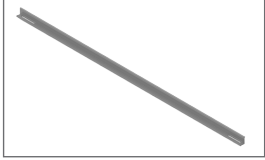
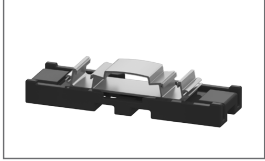
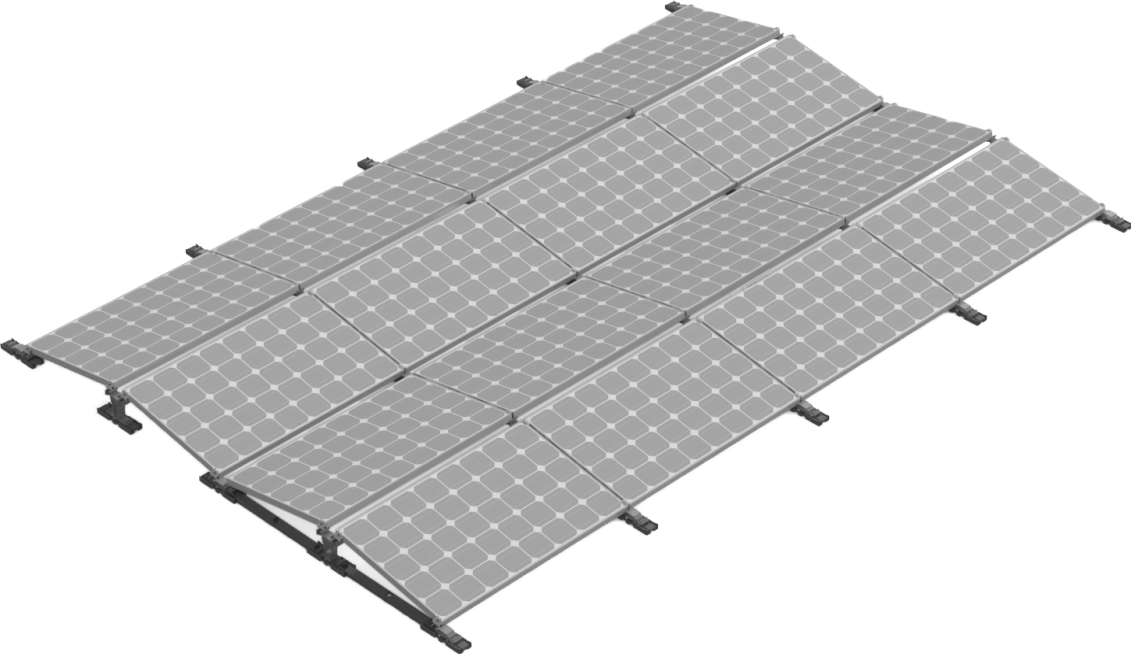


Mounting systems for solar technology



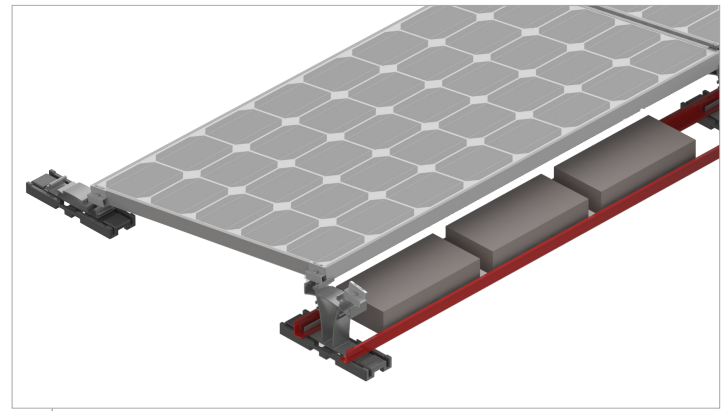
EVEREST SOLAR SYSTEMS
D DOME RAILLESS2 SYSTEM

Everest Solar Systems, LLC 2835
La Mirada Dr., Suite A
Vista, CA 92081
Service-Hotline +1.760.301.5300
info@everest-solarsystems.com
www.everest-solarsystems.com

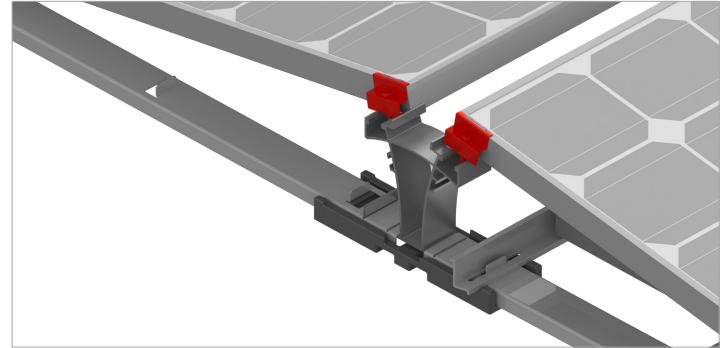
Product Sheet System
Product images are for illustrative purposes only.
Specifications are subject to change without notice. All sales
of our products shall be subject to Everest Solar Systems
terms and conditions, including the exclusive limited
warranty set forth therein.

D Dome Railless2 System

- ▶ The newest Everest D Dome System for flat roofs
- ▶ Innovative double-sided low ballast system suitable for all orientations
- ▶ Modular components delivered to the site enable simple, fast installation
- ▶ Reduced freight / Ships in a box
- ▶ Low component count and fast assembly reduce total installed cost
- ▶ 10° elevation angle
- ▶ Low wind loads / Fewer ballast blocks
- ▶ High Energy Density
- ▶ 100% code compliant, structural validation for all solar states
- ▶ Aerodynamic optimization enables minimal ballast; wind tunnel tested by leading structural aerodynamic labs
- ▶ Integrated grounding solution
- ▶ Flexible, fast and simple to install



Install Dome Porters R² for ballast blocks



D Dome R2 System with Dome Corner Strut R² and end clamps

Technical Data:



Field of application	Flat roof
Roofing	Membrane and bitumen roof
PV modules	Module attachment by corner clamping, observing module manufacturers' recommendations
Module orientation	Landscape
Material	Aluminum (6005A T61)
Connecting elements	300-series stainless steel
Weight/sqf module surface	Without module and ballast approx. 0.51 lb/sqf
Roof connection	Low ballast, no roof penetration; anchors optional
Structural calculation principles	IBC compliant, stamped engineering letters available for all solar states, wind tunnel tested
Warranty	25 years
System components	D Dome R ² System: Dome Peak R ² , Dome Base R ² , Dome Porter R ² , Dome Corner Strut R ² , Roof Protection Mat R ² , Roof Spacer Mat R ²

