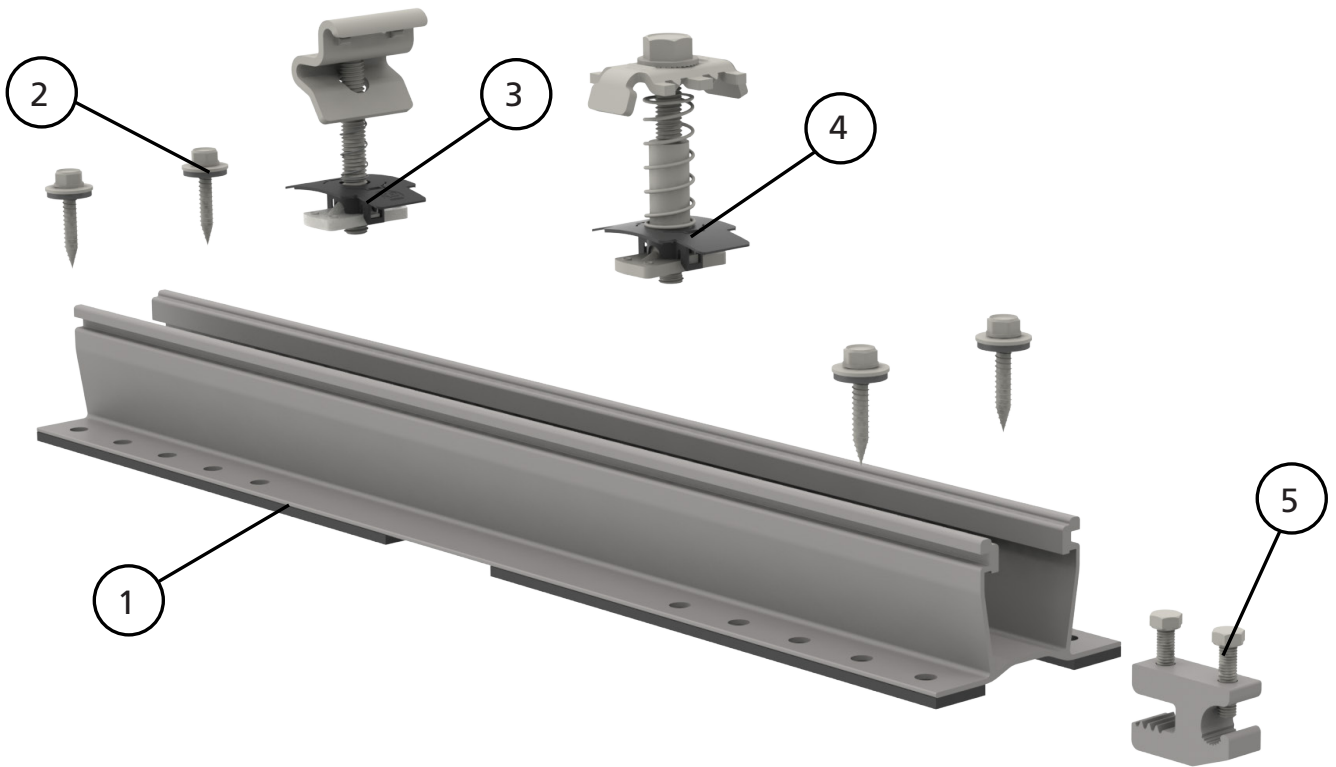
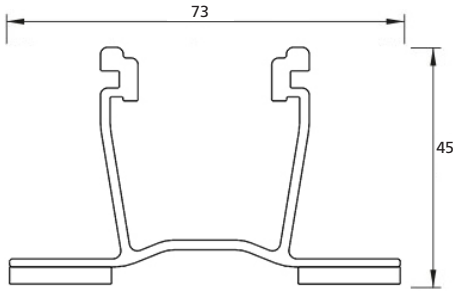


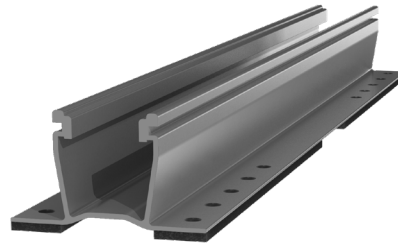


MiniRail XPress System



| Item No. | Description | Product No. |
|----------|---|------------------|
| 1 | MiniRail XPress Base 17in w/EPDM, Mill | 4000667 |
| 2 | JF3 Self-Tapping MiniRail Screw, 6x32mm | 4000672 |
| 3 | Mid Clamp Set | 4000601, 4000602 |
| 4 | End Clamp Set | 4000429, 4000430 |
| 5 | ILSCO Lug | 4000960 |

MiniRail XPress



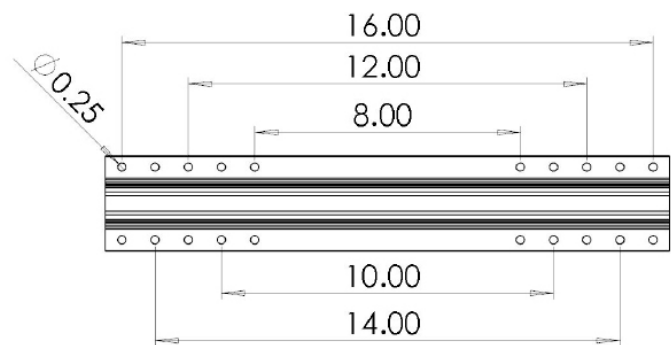
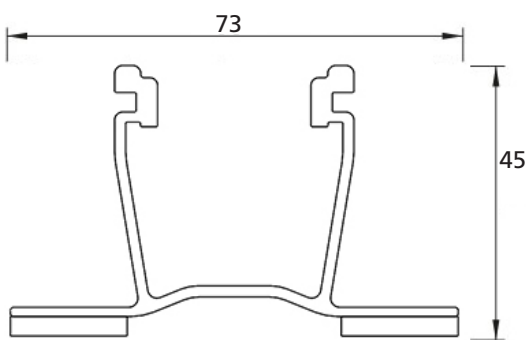
Mechanical Properties

| MiniRail XPress | |
|---------------------------|---------------------------|
| Material | 6000 Series Aluminum |
| Ultimate Tensile Strength | 37.7 ksi (260 MPa) |
| Yield Strength | 34.8 ksi (240 MPa) |
| Weight | 0.84 lbs/pc (0.378 kg/pc) |
| Finish | Mill |

Section Properties

| MiniRail XPress | |
|-----------------|---|
| Sx | 0.183 in ³ (2.9988 cm ³) |
| Sy | 0.176 in ³ (2.8841 cm ³) |
| A (X-Section) | 0.507in ² (3.2709 cm ²) |

General Dimensions:



Dimensions in [mm] Inches

Notes:

- ▶ Structural values are determined in accordance with Aluminum Design Manual and ASCE 7-10
- ▶ UL2703 Listed System for Fire and Bonding