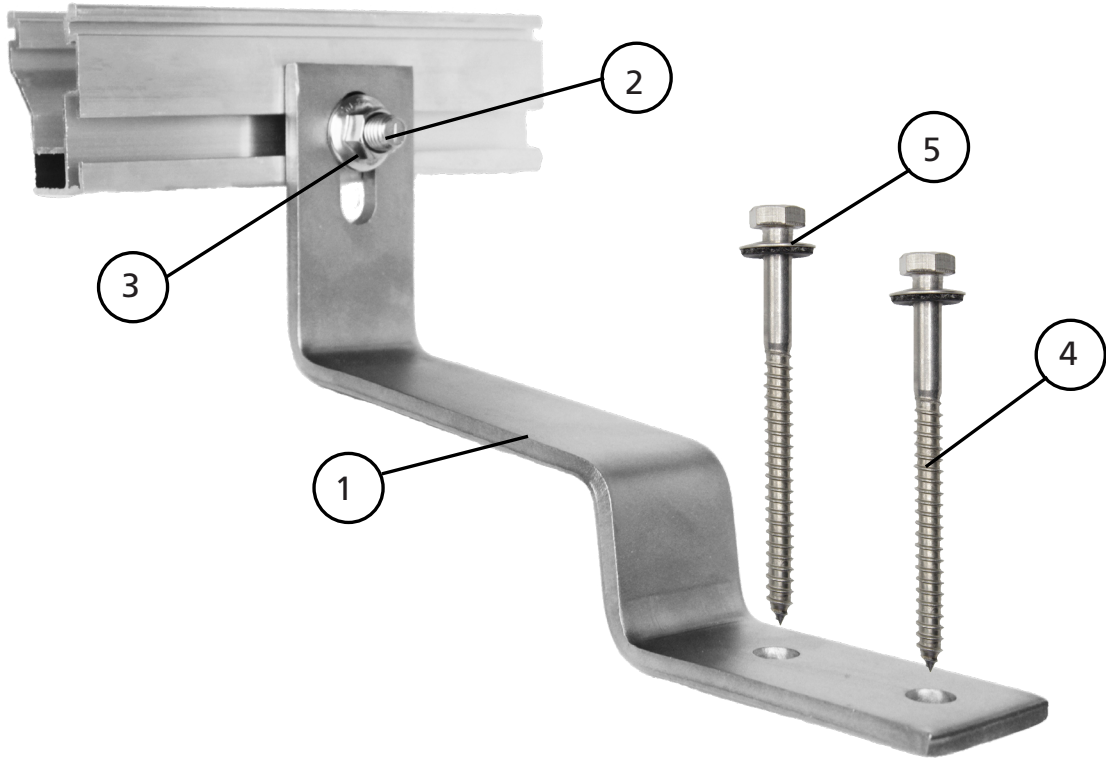




Flat Tile Hook



Flat Tile Hook, Set | 4000034

Item No.	Description	Product No.
1	Flat Tile Hook	4000010
2	T-Bolt	4000571
	1/2" Nut	4000042
3	Lag Bolts	4000359
4	Sealing Washers	N/A

Flat Tile Hook



Mechanical Properties

	Flat Tile Hook
Material	304 Stainless Steel
Ultimate Compression Load	807 lbs
Ultimate Tensile Load	1474 lbs
Allowable Compression Load	350 lbs
Allowable Tensile Load	350 lbs
Weight	1.4 lbs

Dimensional Properties

	Flat Tile Hook
Height from Roof	56 mm / 4.8 in
Total Length	220 mm / 8.7 in
Width	40 mm / 1.6 in

General Dimensions:

