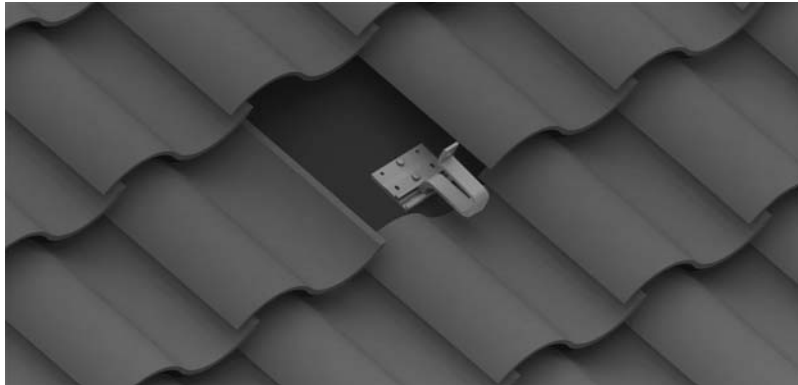


Mounting systems for solar technology



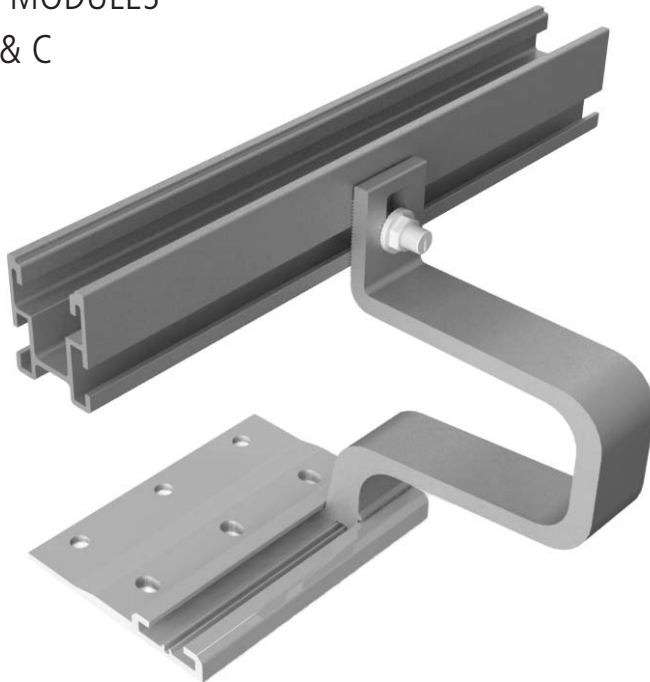
SingleHook for Tile Roofs:

- ▶ UL 2703 Listed for bonding and fire with CrossRail System
- ▶ Fast, simple installation with minimal components
- ▶ Eliminates the L-Foot and hardware
- ▶ Compatible with CrossRail System
- ▶ Fits most curved S tile roof
- ▶ Slotted hole allows flexibility in elevation of rail

EVEREST SOLAR SYSTEMS

SINGLEHOOK - RECOMMENDED MAXIMUM SPAN CHARTS

60 & 72 CELL MODULES
EXPOSURE B & C



Contractor is solely responsible for work safety and prevention regulations and corresponding standards and regulations of the applicable occupational safety and health agency are followed.
Please see full safety guidelines on the Everest Solar website at <http://www.everest-solarsystems.com/>

EVEREST SOLAR SYSTEMS SINGLEHOOK RECOMMENDED SPANS

Everest Solar Systems, LLC
2835 La Mirada Dr., Suite A
Vista, CA 92081
Service-Hotline +1.760.301.5300
info@everest-solarsystems.com
www.everest-solarsystems.com

SingleHook Recommended Spans US03-1218
Product images are for illustrative purposes only. Specifications are subject to change without notice. All sales of our products shall be subject to Everest Solar Systems terms and conditions, including the exclusive limited warranty set forth therein.

RECOMMENDED MAXIMUM SPANS FOR SINGLEHOOK - EXPOSURE B - 60 CELL MODULES

Exposure B	Ultimate Wind Speed, V (mph)	Rail Type	Roof Wind Pressure Zone 1 - Max Spans - SingleHook - 60 Cell Modules					
			Roof Snow Load (psf)					
			0	10	20	30	40	50
ROOFS 7° TO 27°	110	X80	6 ft	4 ft	2 ft	2 ft	2 ft	Not Possible
		X48						
		48-X						
	115	X80	6 ft	4 ft	2 ft	2 ft	2 ft	Not Possible
		X48						
		48-X						
	120	X80	6 ft	4 ft	2 ft	2 ft	2 ft	Not Possible
		X48						
48-X								
130	X80	4 ft	4 ft	2 ft	2 ft	2 ft	Not Possible	
	X48							
	48-X							
140	X80	4 ft	4 ft	2 ft	2 ft	2 ft	Not Possible	
	X48							
	48-X							
150	X80	4 ft	4 ft	2 ft	2 ft	2 ft	Not Possible	
	X48							
	48-X							
160	X80	2 ft	2 ft	2 ft	2 ft	2 ft	Not Possible	
	X48							
	48-X							
170	X80	Not Possible	Not Possible	Not Possible	Not Possible	Not Possible	Not Possible	
	X48							
	48-X							

Exposure B	Ultimate Wind Speed, V (mph)	Rail Type	Roof Wind Pressure Zone 1 - Max Spans - SingleHook - 60 Cell Modules					
			Roof Snow Load (psf)					
			0	10	20	30	40	50
ROOFS 27° TO 45°	110	X80	6 ft	4 ft	2 ft	2 ft	2 ft	Not Possible
		X48						
		48-X						
	115	X80	4 ft	4 ft	2 ft	2 ft	2 ft	Not Possible
		X48						
		48-X						
	120	X80	4 ft	4 ft	2 ft	2 ft	2 ft	Not Possible
		X48						
		48-X						
130	X80	4 ft	4 ft	2 ft	2 ft	2 ft	Not Possible	
	X48							
	48-X							
140	X80	2 ft	2 ft	2 ft	2 ft	2 ft	Not Possible	
	X48							
	48-X							
150	X80	Not Possible	Not Possible	Not Possible	Not Possible	Not Possible	Not Possible	
	X48							
	48-X							
160	X80	Not Possible	Not Possible	Not Possible	Not Possible	Not Possible	Not Possible	
	X48							
	48-X							
170	X80	Not Possible	Not Possible	Not Possible	Not Possible	Not Possible	Not Possible	
	X48							
	48-X							

RECOMMENDED MAXIMUM SPANS FOR SINGLEHOOK - EXPOSURE C - 60 CELL MODULES

Exposure C	Ultimate Wind Speed, V (mph)	Rail Type	Roof Wind Pressure Zone 1 - Max Spans - SingleHook - 60 Cell Modules					
			Roof Snow Load (psf)					
			0	10	20	30	40	50
ROOFS 7° TO 27°	110	X80	4 ft	4 ft	2 ft	2 ft	2 ft	Not Possible
		X48						
		48-X						
	115	X80	4 ft	4 ft	2 ft	2 ft	2 ft	Not Possible
		X48						
		48-X						
	120	X80	4 ft	4 ft	2 ft	2 ft	2 ft	Not Possible
		X48						
48-X								
130	X80	2 ft	2 ft	2 ft	2 ft	2 ft	Not Possible	
	X48							
	48-X							
140	X80	2 ft	2 ft	2 ft	2 ft	2 ft	Not Possible	
	X48							
	48-X							
150	X80	Not Possible	Not Possible	Not Possible	Not Possible	Not Possible	Not Possible	
	X48							
	48-X							
160	X80	Not Possible	Not Possible	Not Possible	Not Possible	Not Possible	Not Possible	
	X48							
	48-X							
170	X80	Not Possible	Not Possible	Not Possible	Not Possible	Not Possible	Not Possible	
	X48							
	48-X							

Exposure C	Ultimate Wind Speed, V (mph)	Rail Type	Roof Wind Pressure Zone 1 - Max Spans - SingleHook - 60 Cell Modules					
			Roof Snow Load (psf)					
			0	10	20	30	40	50
ROOFS 27° TO 45°	110	X80	4 ft	4 ft	4 ft	2 ft	Not Possible	Not Possible
		X48						
		48-X						
	115	X80	4 ft	2 ft	2 ft	2 ft	Not Possible	Not Possible
		X48						
		48-X						
	120	X80	2 ft	2 ft	2 ft	2 ft	Not Possible	Not Possible
		X48						
48-X								
130	X80	2 ft	2 ft	2 ft	2 ft	Not Possible	Not Possible	
	X48							
	48-X							
140	X80	2 ft	2 ft	2 ft	2 ft	Not Possible	Not Possible	
	X48							
	48-X							
150	X80	2 ft	2 ft	2 ft	Not Possible	Not Possible	Not Possible	
	X48							
	48-X							
160	X80	2 ft	2 ft	2 ft	Not Possible	Not Possible	Not Possible	
	X48							
	48-X							
170	X80	Not Possible	Not Possible	Not Possible	Not Possible	Not Possible	Not Possible	
	X48							
	48-X							

RECOMMENDED MAXIMUM SPANS FOR SINGLEHOOK - EXPOSURE B - 72 CELL MODULES

Exposure B	Ultimate Wind Speed, V (mph)	Rail Type	Roof Wind Pressure Zone 1 - Max Spans - SingleHook - 72 Cell Modules				
			Roof Snow Load (psf)				
			0	10	20	30	40
ROOFS 7° TO 27°	110	X80	6 ft	4 ft	2 ft	2 ft	Not Possible
		X48					
		48-X					
	115	X80	6 ft	4 ft	2 ft	2 ft	Not Possible
		X48					
		48-X					
	120	X80	6 ft	4 ft	2 ft	2 ft	Not Possible
		X48					
		48-X					
	130	X80	4 ft	4 ft	2 ft	2 ft	Not Possible
X48							
48-X							
140	X80	4 ft	2 ft	2 ft	2 ft	Not Possible	
	X48						
	48-X						
150	X80	4 ft	2 ft	2 ft	2 ft	Not Possible	
	X48						
	48-X						
160	X80	2 ft	2 ft	2 ft	2 ft	Not Possible	
	X48						
	48-X						
170	X80	2 ft	2 ft	2 ft	Not Possible	Not Possible	
	X48						
	48-X						
180	X80	2 ft	2 ft	2 ft	Not Possible	Not Possible	
	X48						
	48-X						
200	X80	2 ft	2 ft	2 ft	Not Possible	Not Possible	
	X48						
	48-X						

Exposure B	Ultimate Wind Speed, V (mph)	Rail Type	Roof Wind Pressure Zone 1 - Max Spans - SingleHook - 72 Cell Modules				
			Roof Snow Load (psf)				
			0	10	20	30	40
ROOFS 27° TO 45°	110	X80	4 ft	4 ft	2 ft	2 ft	Not Possible
		X48					
		48-X					
	115	X80	4 ft	2 ft	2 ft	2 ft	Not Possible
		X48					
		48-X					
	120	X80	4 ft	2 ft	2 ft	2 ft	Not Possible
		X48					
		48-X					
	130	X80	2 ft	2 ft	2 ft	2 ft	Not Possible
X48							
48-X							
140	X80	2 ft	2 ft	2 ft	2 ft	Not Possible	
	X48						
	48-X						
150	X80	2 ft	2 ft	2 ft	Not Possible	Not Possible	
	X48						
	48-X						
160	X80	2 ft	2 ft	2 ft	Not Possible	Not Possible	
	X48						
	48-X						
170	X80	2 ft	2 ft	Not Possible	Not Possible	Not Possible	
	X48						
	48-X						
180	X80	2 ft	2 ft	Not Possible	Not Possible	Not Possible	
	X48						
	48-X						
200	X80	Not Possible	Not Possible	Not Possible	Not Possible	Not Possible	
	X48						
	48-X						

RECOMMENDED MAXIMUM SPANS FOR SINGLEHOOK - EXPOSURE C - 72 CELL MODULES

Exposure C	Ultimate Wind Speed, V (mph)	Rail Type	Roof Wind Pressure Zone 1 - Max Spans - SingleHook - 72 Cell Modules				
			Roof Snow Load (psf)				
			0	10	20	30	40
ROOFS 7° TO 27°	110	X80	4 ft	4 ft	2 ft	2 ft	Not Possible
		X48					
		48-X					
	115	X80	4 ft	2 ft	2 ft	2 ft	Not Possible
		X48					
		48-X					
	120	X80	4 ft	2 ft	2 ft	2 ft	Not Possible
		X48					
		48-X					
	130	X80	2 ft	2 ft	2 ft	2 ft	Not Possible
X48							
48-X							
140	X80	2 ft	2 ft	2 ft	Not Possible	Not Possible	
	X48						
	48-X						
150	X80	2 ft	2 ft	2 ft	Not Possible	Not Possible	
	X48						
	48-X						
160	X80	2 ft	2 ft	2 ft	Not Possible	Not Possible	
	X48						
	48-X						
170	X80	2 ft	2 ft	2 ft	Not Possible	Not Possible	
	X48						
	48-X						
180	X80	2 ft	2 ft	Not Possible	Not Possible	Not Possible	
	X48						
	48-X						
200	X80	Not Possible	Not Possible	Not Possible	Not Possible	Not Possible	
	X48						
	48-X						

Exposure C	Ultimate Wind Speed, V (mph)	Rail Type	Roof Wind Pressure Zone 1 - Max Spans - SingleHook - 72 Cell Modules				
			Roof Snow Load (psf)				
			0	10	20	30	40
ROOFS 27° TO 45°	110	X80	2 ft	2 ft	2 ft	2 ft	Not Possible
		X48					
		48-X					
	115	X80	2 ft	2 ft	2 ft	2 ft	Not Possible
		X48					
		48-X					
	120	X80	2 ft	2 ft	2 ft	Not Possible	Not Possible
		X48					
		48-X					
	130	X80	2 ft	2 ft	2 ft	Not Possible	Not Possible
X48							
48-X							
140	X80	2 ft	2 ft	2 ft	Not Possible	Not Possible	
	X48						
	48-X						
150	X80	2 ft	2 ft	Not Possible	Not Possible	Not Possible	
	X48						
	48-X						
160	X80	Not Possible	Not Possible	Not Possible	Not Possible	Not Possible	
	X48						
	48-X						
170	X80	Not Possible	Not Possible	Not Possible	Not Possible	Not Possible	
	X48						
	48-X						
180	X80	Not Possible	Not Possible	Not Possible	Not Possible	Not Possible	
	X48						
	48-X						
200	X80	Not Possible	Not Possible	Not Possible	Not Possible	Not Possible	
	X48						
	48-X						