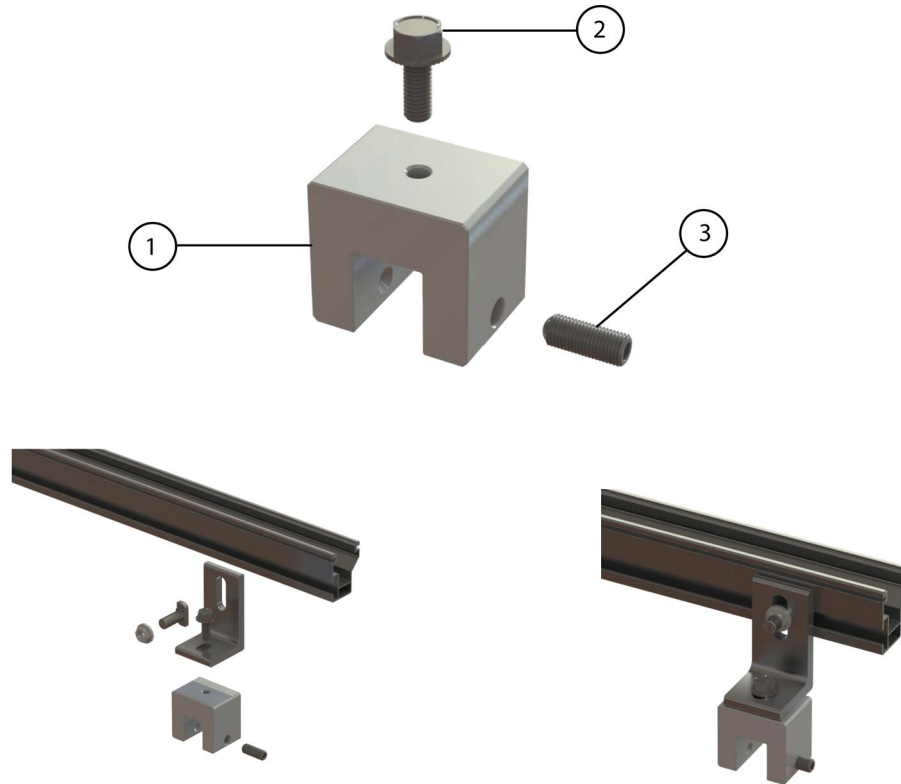




Standing Seam PowerClamp Technical Sheet



Item No.	Description
1	PowerClamp
2	M8x20 mm serrated hex head bolt
3	Set screw