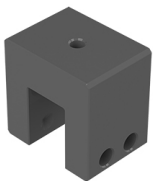


QUICK GUIDE

Standing Seam PowerClamp

| 4000016
4000017



PowerClamp

| 4000710
4000711

Available in Mini or Standard
Material: Aluminum
Finish: Mill



M8 Hex Bolt

| 4000614

Material: Stainless steel



Set Screw

Material: Stainless steel

Assembly

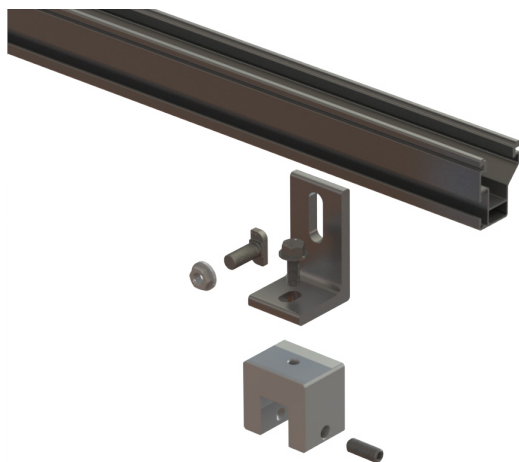
1 MEASURE



Measure the distance from the eave to the first row and use a string line over the roof panel seams to establish a straight guideline for installation.

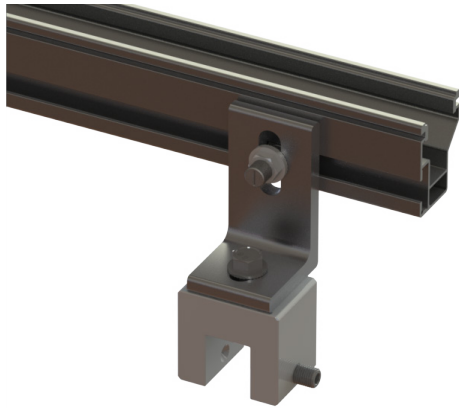
Materials required: Tape measure, string line

2 ALIGN



Align the Standing Seam PowerClamp on the seam exactly as shown in the orientation on the left side of this page, depending on the applicable seam profile.

3 SET



Set the single Set Screw located at the bottom of the clamp. The torque should be verified with a calibrated torque wrench.

Materials required: Set Screw, Torque Wrench

4 ENSURE SECURITY



Ensure that the Standing Seam PowerClamp is secure, straight and level, then repeat steps 1-3 for remaining clamps in the module array. Be sure to follow the architect's and/or engineer's required spacing and/or layout, including their adjustments for field conditions, if any. (A recommended layout is furnished by Solar Connections International, Inc. only upon written request).