

Technical Sheet

Tile Hook 3S

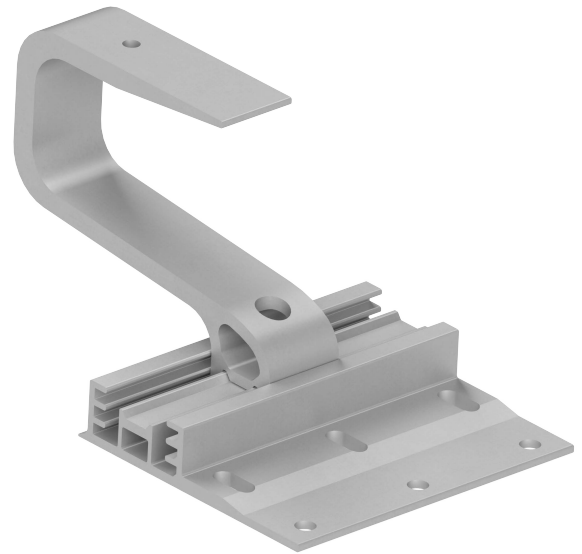
Mounting systems for solar technology



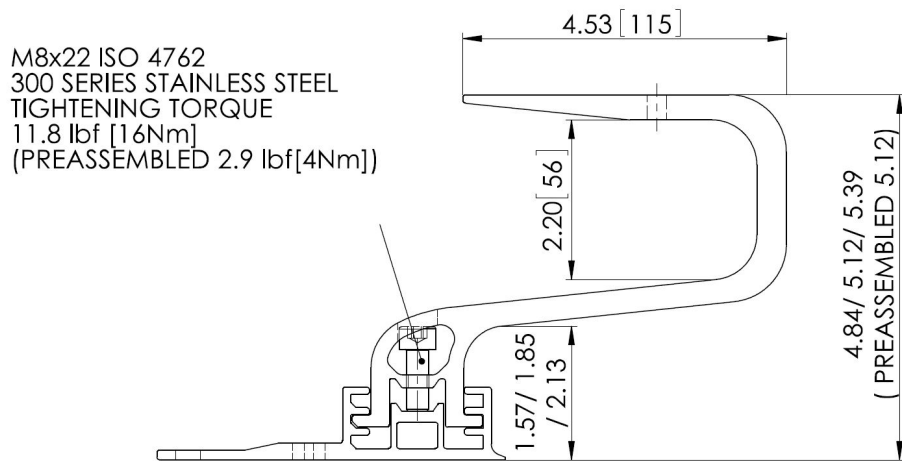
Overview:

MECHANICAL PROPERTIES	
Material:	6000 Series Aluminum
Maximum Downforce:	497 lbf
Maximum Uplift:	411 lbf
Maximum Shear:	217 lbf
Finish:	Mill

DIMENSIONAL PROPERTIES	
Height From Roof:	4.84/ 5.12 / 5.39 in
Total Length:	8.81 in
Width:	5.5 in



General Dimensions:



Dimensions in [mm] Inches

Notes:

- ▶ Structural values and span charts determined in accordance with Aluminum Design Manual and ASCE 7-10