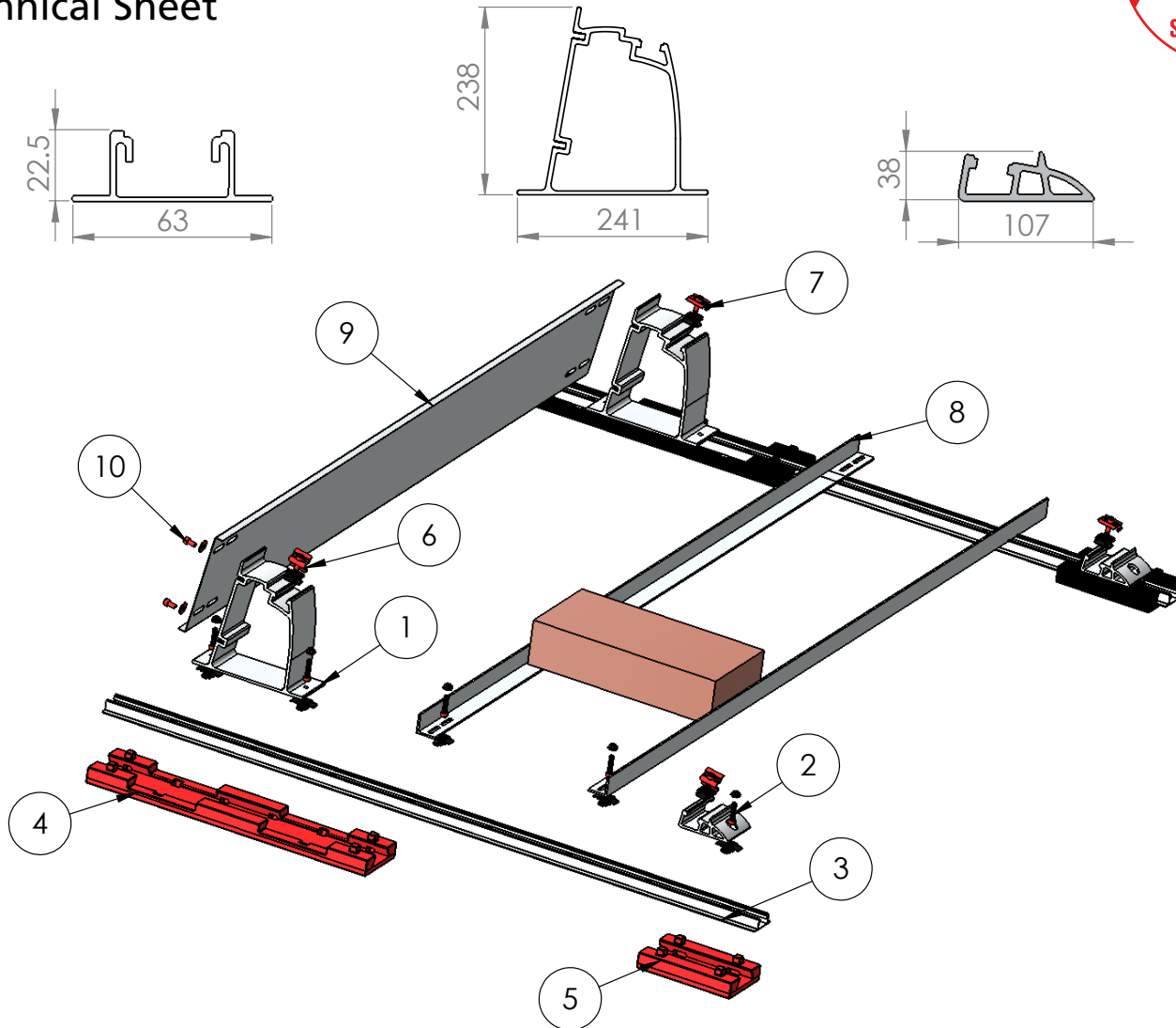


# S Dome

## Technical Sheet

Mounting systems for solar technology



\*\*All dimensions in mm unless otherwise specified

ITEM NO.	DESCRIPTION
1	Dome S1000
2	Dome SD
3	XPressRail 22, Mill
4	Dome Building Mat-II, 24"
5	Dome Bulding Mat SD, 8"
6	Comm End-Clamp Set UL 2703, SS
7	Comm Mid-Clamp Set UL 2703, SS
8	Dome Porter Ballast L-Bracket
9	Dome S1000 Windbreaker
10	S Dome Windbreaker Hardware Set

\*\*Commercial Clamps vary based on module size