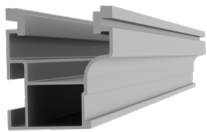


**QUICK GUIDE**

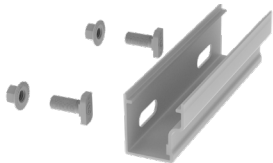
**CrossRail 44-X Rail Connector**



**CrossRail 44-X**

Material: Aluminum

Part Number	Description
4000019	CrossRail 44-X, 166", Mill
4000020	CrossRail 44-X, 166", Dark
4000021	CrossRail 44-X, 180", Mill
4000022	CrossRail 44-X, 180", Dark



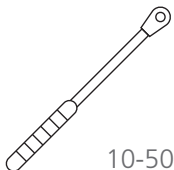
**44-X Structural Rail Connector**

Material: Aluminum

Hardware: Stainless steel

Part Number	Description
4000051	RailConn Set, CR 44-X, Mill
4000052	RailConn Set, CR 44-X, Dark

**TOOLS REQUIRED**



10-50 ft-lb

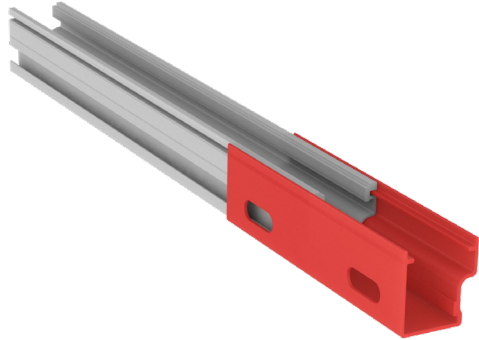


13 mm socket

▶ Torque 25.8 ft-lbs

# Assembly

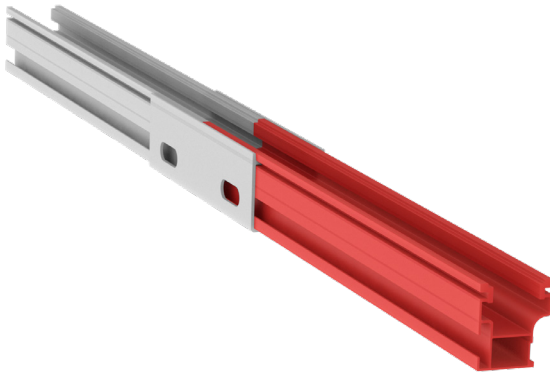
## 1 INSTALL RAIL CONNECTOR



Slide the rail connector onto CrossRail 44-X.

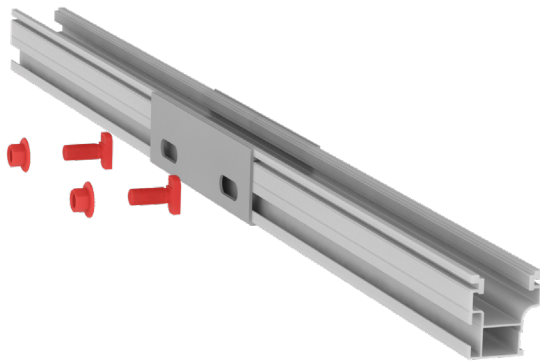
The rail connector contains mating features and must be inserted prior to aligning the rails together.

## 2 ALIGN RAILS



Align the two rail ends next to each other and center the rail connector between the two rails.

## 3 CONNECT RAILS



Attach the rail connector using two M10 T-Bolts (use bonding T-Bolts with dark rail) and two hex nuts.

Ensure that the slot on the bottom of the T-Bolt is vertical, indicating that the T-Bolt head is properly engaged in the rail channel.

Torque: Torque the serrated hex nuts to 25.8 ft-lbs (35 Nm).

Note: Please refer to the system and state-specific engineering letters for allowable spans, limitations and installation notes regarding the capabilities of CrossRail 44-X and the CrossRail 44-X Rail Connector.